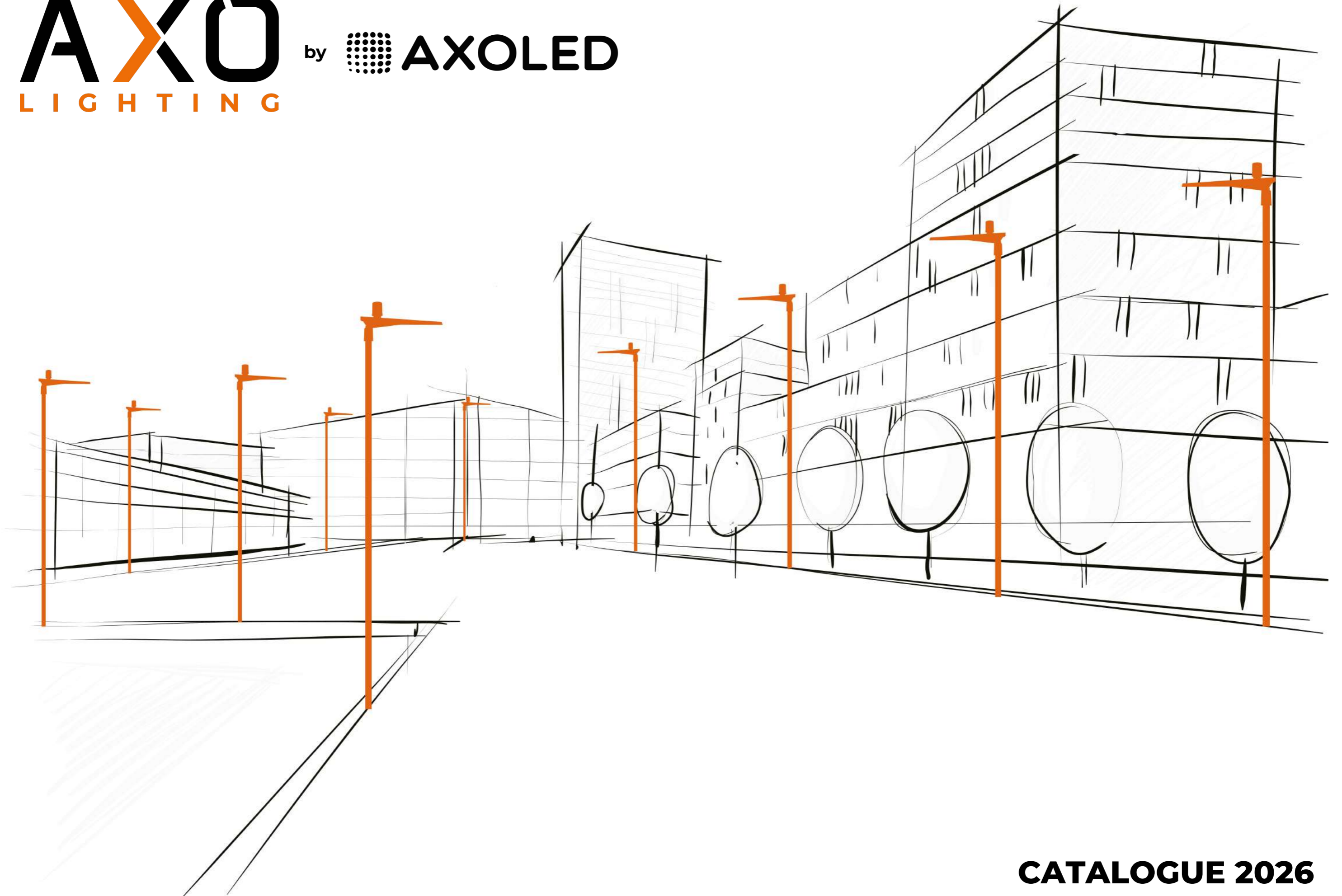



AXO by  **AXOLED**
LIGHTING



CATALOGUE 2026

Content

Street light									
Garden light									
									
									
									
									
Flood light									
Solar light									
Retrofit									
Wiring box									

Spot light									
Bollard									
									
									
Ceiling light									
Wall light									
									
Line light Underground light									

About us

AXOLED Lighting is a Spanish lighting company specializing in the design, development, manufacturing, and distribution of LED lighting systems. We offer a wide range of LED lighting solutions for professionals, and now you can also buy online. Our electrical and electronic engineers have over 20 years of combined experience in the lighting, technology, and energy efficiency markets. Our philosophy stems from the need to offer efficient, effective, and value-added professional lighting products and services that are environmentally friendly. AXOLED comprises several perfectly coordinated departments, enabling us to successfully complete and efficiently execute the projects we undertake.

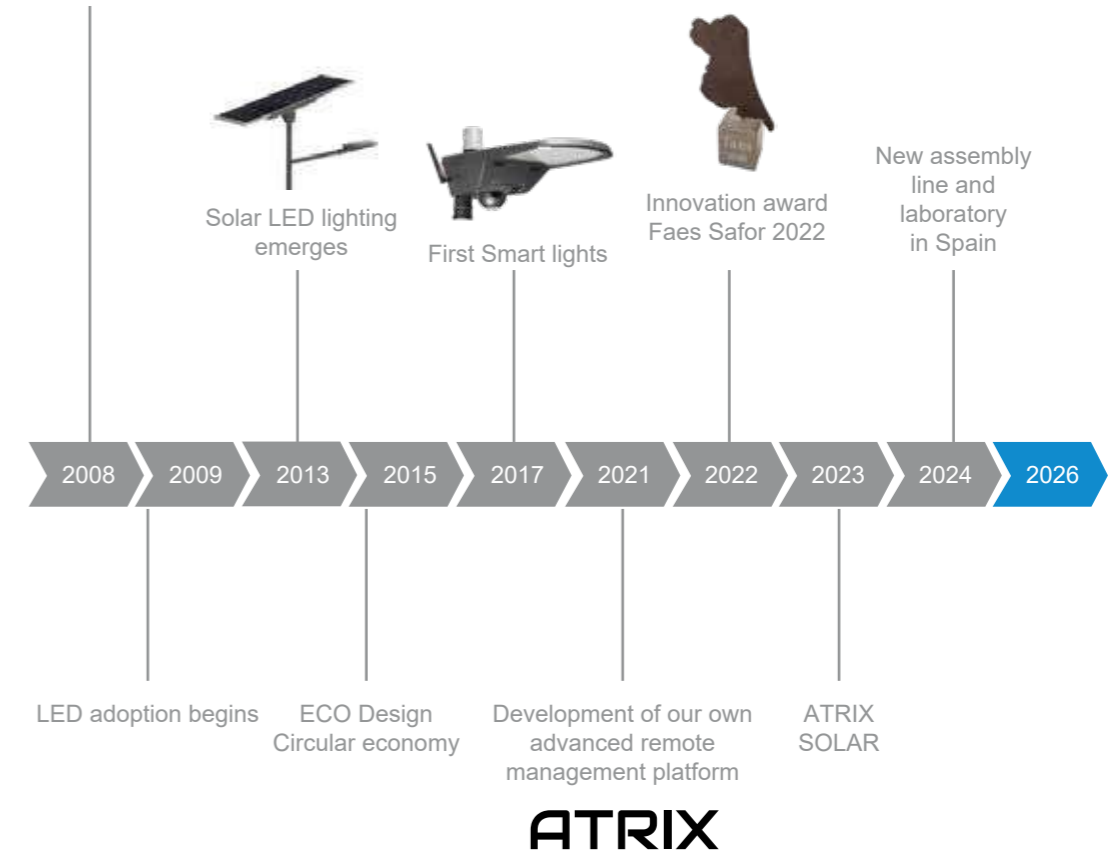
We got approval of ISO9001, ISO14001, ISO27001 and 50001.



History



Factory establish



Luminarie workshop

For luminaire division, there are die-casting workshop, fashioning workshop, powder coating workshop, SMT workshop and assembling workshop.

Ten die-casting machines from 250T to 1250T, all die-casting parts can be precision-machined by 30 sets CNC machines. Auto powder coating after microwave flush, auto SMT machines work in dust-free and static environment. Four assembling lines to make sure high production.



Hi-tech automated SMT machines for better lighting.



Pole workshop

Axoled LIGHTING designs and manufactures standard columns and high masts based on EN40-5&EN1090-1.

The underwater plasma CNC cutting machine adopts the most advanced software and hardware technology in Germany, and the design of wide-body beams ensures mechanical rigidity and dynamic stability

The welding machine of Lincoln brand original imported from USA, which with 90% penetration rate.

Adopt the same specification single cylinder or double cylinder host, equipped with double - machine linkage synchronization device.
Double-machine combined bending machine, processing and manufacturing for urban construction, highway lamp poles, power poles and specialty workpieces.

The two machines can be used single, double - machine, and improve production efficiency.



Testing Center

Our testing center can make structure test, electronic test, material test and optics test.
ISO17025 is in the process.

Structure test: IP class test, IK class test, wind pressure test and vibration test.

Electronic test: EMC test, surge test, and high&low voltage test.

Material test: salt spray test, coating layer thickness measurement, hardness test, and magnetic particle test .

Optics test: Integrating Sphere and GO-R5000 full-field speed goniophotometer.



Photometric tests – light distribution, colorimetric testing and photo biological safety testing.

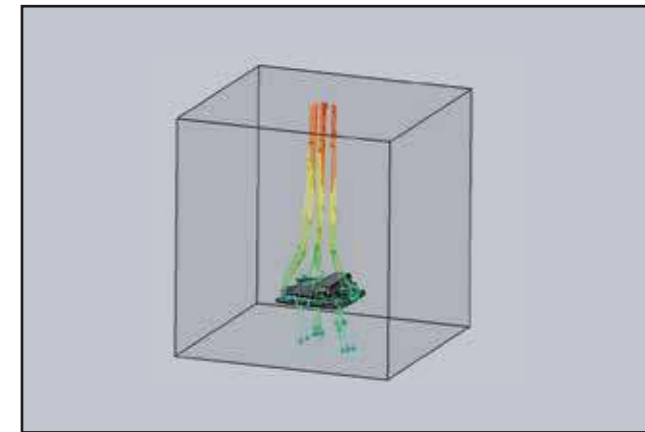
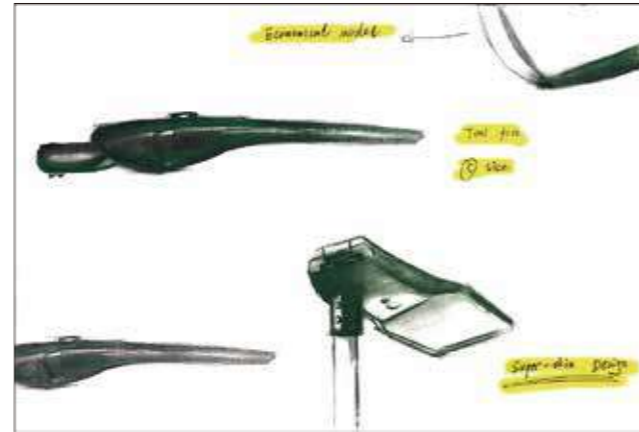
Quality tests of different type coatings including powder coatings – neutral salt spray testing (NSST), coating layer thickness measurements.



Our ability

Shape Design

Preliminary design based on customers' demands.
Keep stable cooperation with well-known European designers.



Structural Design

Skilled in application of 2D&3D design, modeling software,
thermal analysis, structural stress analysis
mould development with the best quality&the most economical solution



Electronic Design

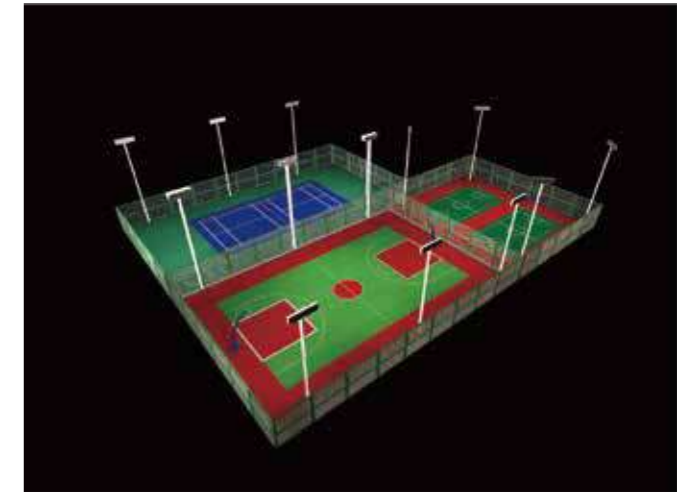
Axoled LIGHTING products undergo rigorous quality assurance
Testing for electronic components , both in factory and in
cooperation with famous labs like TUV, DEKRA. We have ability
to design PCBS, Drivers, spd and master the technology of DMX
control and DALI , bluetooth. With the development of IOT
technology, our team combine the luminaire with different
sensors to meet different application requirement.

Electronic Design

Axoled LIGHTING has a professional optical design team for lighting fixtures. Designers skillfully apply software Dialux to simulate outdoor building lighting, stadium lighting, indoor lighting, and tunnel lighting.



Outdoor building lighting simulation



Stadium lighting simulation

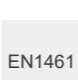


Indoor lighting simulation



Tunnel lighting simulation

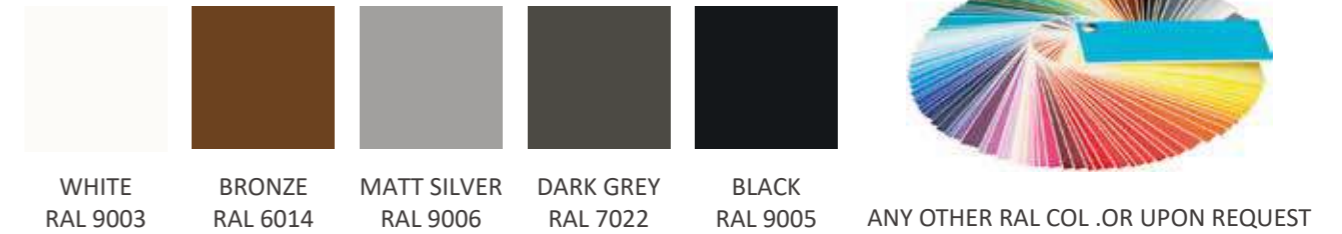
About Certificate

	European Certification of Conformity for performance requirement		Protected against mechanical impacts equal to 5 Joule
	European Certification of Conformity		Protected against mechanical impacts equal to 10 Joule
	Compliance		Protected against mechanical impacts equal to 20 Joule
	Compliance of IEC standard		Photometric Testing
	Standards Australia International Limited		Temperature testing for luminaire system
	China Quality Certification Center		Lifespan calculation
	American standard for Electromagnetic Compatibility		Temperature testing
	American standard for Electromagnetic Compatibility		Waste Electrical and Electronics Equipment Directive
	American standard for Electrical Products		Registration, Evaluation and Authorisation of Chemicals
	American standard for performance testing		Electromagnetic Compatibility
	Absence of dangerous substances in electrical and electronic equipments		Fragile
	Fixture in class I		Pole design and manufacturer standard for EU market
	Fixture in class II		Galvanization standard
	Group of Photobiological risk		Material standard for poles
	UV-stabilized painting		Welding standard for EU
	Watertight to the insight of dust and protected against splashing water		Galvanization standard for USA
	Watertight to the insight of dust and protected against water jets		Welding standard for USA
	Watertight to the insight of dust and protected against temporary immersion		

About Color

Colors

Various Sensor devices can define different luminous flux according to traffic conditions, weather, city safety requirement to reach the best performance for energy saving and make the citizen more comfortable.



Powder supply by



About IOT

IOT Remote management and control

Simple - Intuitive - Scalable - Interoperable - Cost-Effective

Axoled offers different types of control and monitor platforms according to your needs to help you remotely optimize your lighting operations in real-time with maps of your network.



Whatever your sector, Axoled helps you to become more energy efficient

You can also enrich your lighting network with different kind of sensors (radar, air quality, smart parking, waste management, tags for asset management...) to develop relevant services for your employees, citizens or customers. You can use communicating devices from many vendors since our system is TALQ v2 certified and offers interoperability within multi-protocols of communication.

Depending on your needs, you can decide to use the applications relevant to your business, edit your reports and detailed information about your infrastructures. Thanks to the open API interfaces, you can import data from Axoled CMS into your existing or future management systems.

We have solutions for:

- Cities
- Airports
- Train stations, subways
- Parkings
- Industrial buildings
- Warehouses
- Hospitals...



Huge and immediate benefits



COST-EFFECTIVE

- Energy (>70%)
- Maintenance (30- 50%)
- ROI (5-6 years)
- Optimization of resources



SCALABLE

- Full modular system
- Interoperability
- Compatible with dense network



RELIABLE AND SECURE

- Security and protection of data with encryption protocols in all devices
- RF Network reliability proven



PERFORMANCE

- Remote and real-time control
- OTA (Over The Air)
- Immediate diagnosis of failures
- Reporting



SATISFACTION

- Lighting level adjusted to needs, safety and use cases
- Compatible with existing / future infrastructures and GIS, CMS



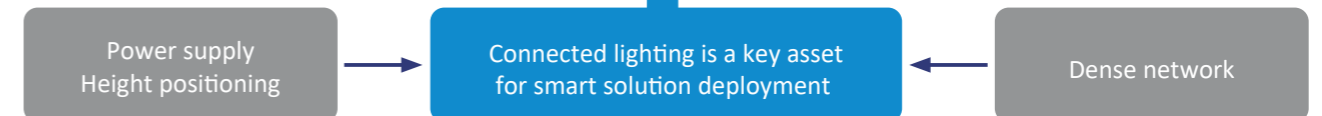
GREEN

- Protection of the environment
- Reduction of emissions
- Reduction of energy

Some Examples

Smart cities: connected streetlights create a dense wireless network deployed in large areas. Any additional IoT device/sensor can use this network and can be managed by the same CMS.

Smart building: the RF network created by the connected luminaires can also be used for asset tracking offering one of the most cost-effective solution in the market, just by adding compatible tags on things.



About Smart



SENSING DEVICES

Various Sensor devices can define different luminous flux according to traffic conditions, weather, city safety requirement to reach the best performance for energy saving and make the citizen more comfortable.



MOVEMENT AND DETECTION

luminaires activated by-unit or by group when detected the movement including vehicle traffic and human transit and dimming criteria Time for each action.



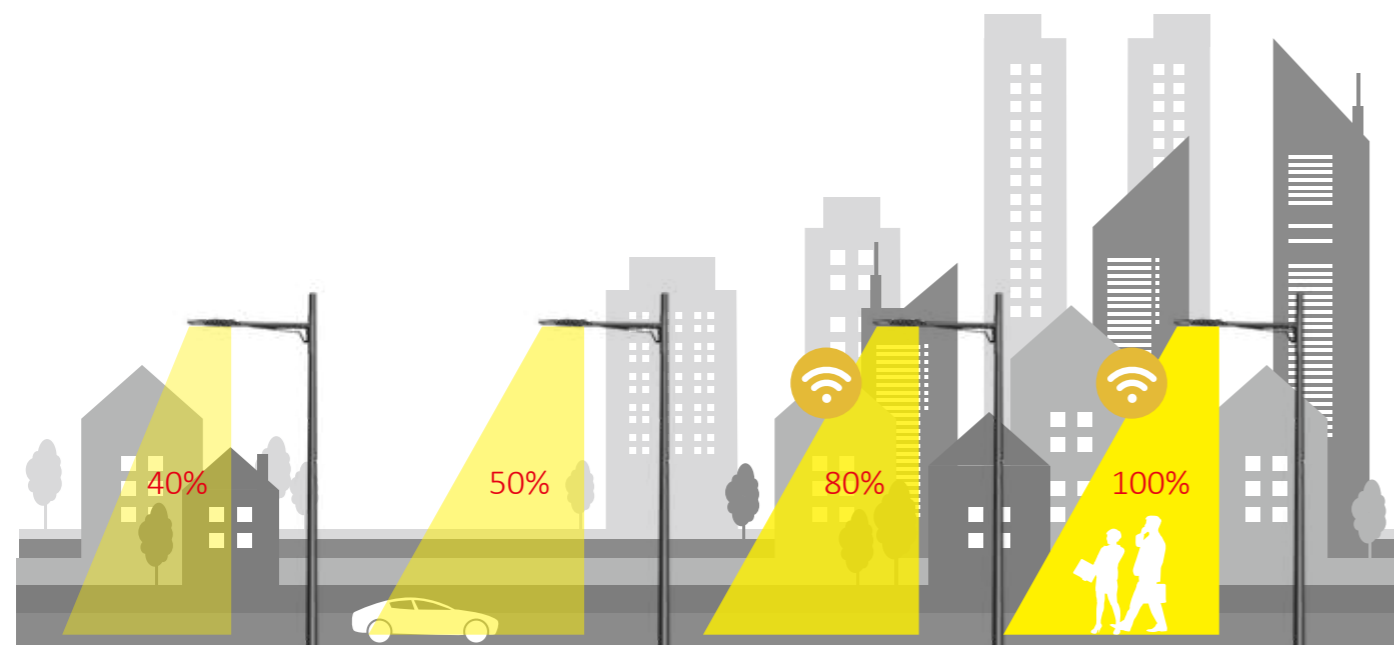
PHOTOCELL AND NEMA SHOCKET

The fittings are turn down when the surrounding environment is dark and turned off when it becomes bright again.



OTHER SENSORS

Air Pollution, Temperature, wind, humidity, Camera,



About Zhaga

Today's street lighting is ready for a smart city infrastructure

In the future, a connected infrastructure will play an even more important role in urban lighting. Already today, Axoled Outdoor LED drivers allow the design of luminaires with the Zhaga Book 18 interface, thus breaking new ground with unprecedented levels of efficiency, flexibility and innovation

The Zhaga consortium joined forces with the DiiA and produced a single Zhaga-D4i certification that combines the Zhaga Book 18 version 2 outdoor connectivity specifications with the DiiA's D4i specifications for intra-luminaire DALI.

Certification program

The Zhaga-D4i certification covers all the critical features including mechanical fit, digital communication, data reporting and power requirements within a single luminaire, ensuring plug-and-play interoperability of luminaires (drivers) and peripherals such as connectivity nodes.



Cost-effective solution

A Zhaga-D4i certified luminaire includes drivers offering features that had previously been in the control node, like energy metering, which has in turn simplified the control device therefore reducing the price of the control system.

2 sockets: top and bottom

The Zhaga socket is small and suited to applications where aesthetics is essential. The architecture of Zhaga-D4i also foresees the possibility of putting two sockets on one luminaire, allowing for instance, the combination of a detection sensor and a control node. This also has the added value of standardising certain detection sensor communications with the D4i protocol.



About Photometric

Lens type

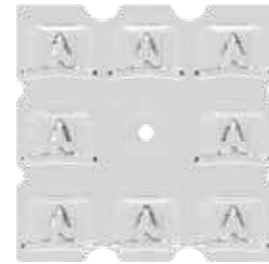
5050/3535



4



6



8

3030



14

Lens shelter

Blocking back light



For 4 in 1 lens



For 6 in 1 lens

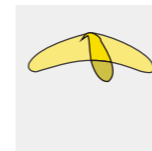
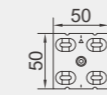
LED Modules

- High efficiency outdoor modules
- Suitable for harsh and humid outdoor conditions
- Tested acc. to salt spray test (IEC 60068-2-52) and harmful gas test (GR-1217-CORE)
- Huge performance temperature range from -40 ... +105 °C
- Surge tested (+/- to earth) 6 kV with Tridonic LED Driver
- Integrated NTC for overtemperature protection
- Zhaga Book 15 compliant
- For use with standard 2x2 lenses (e.g. LEDiL Strada 2x2)
- Push terminals for quick and simple wiring

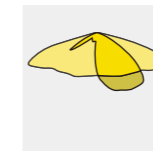


Axololed optics

3535/5050



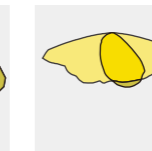
SL4T2



SL4T3



SL4T4



SH4T2



SH4T3



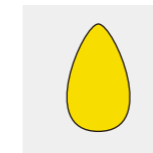
GH4T4



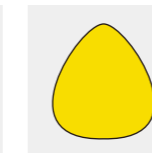
GH4T5



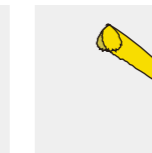
FH430



FH460

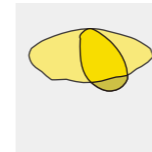
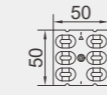


FH490

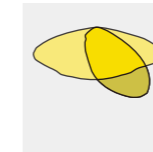


FH422

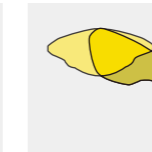
3535/5050



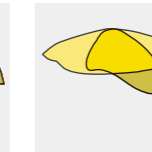
SL6T1



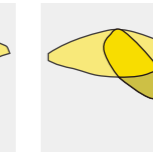
SL6T2



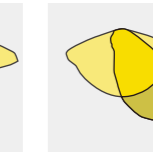
SL6T3



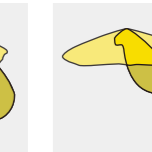
SX6T3



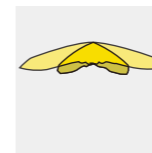
SL6G1



SL6G2



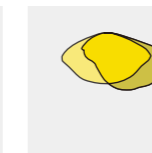
SL6G3



SL6T22

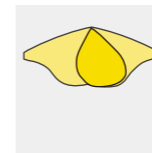
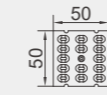


GL6T5

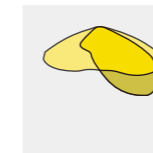


GL6T4

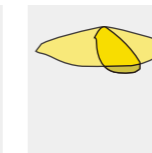
3030



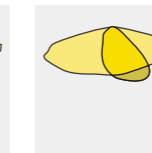
SX14T2



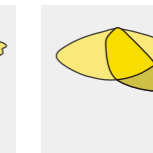
SX14T3



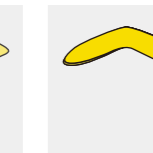
SL14T2



SL14EA



SL14EB

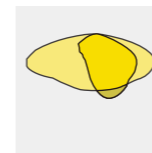
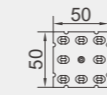


GX14T5



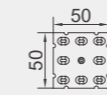
GX14T4

3535

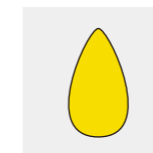


S21A8-T3

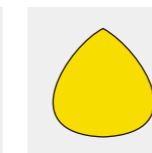
5050



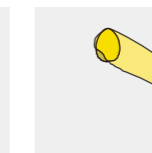
FD830



FD860



FD890

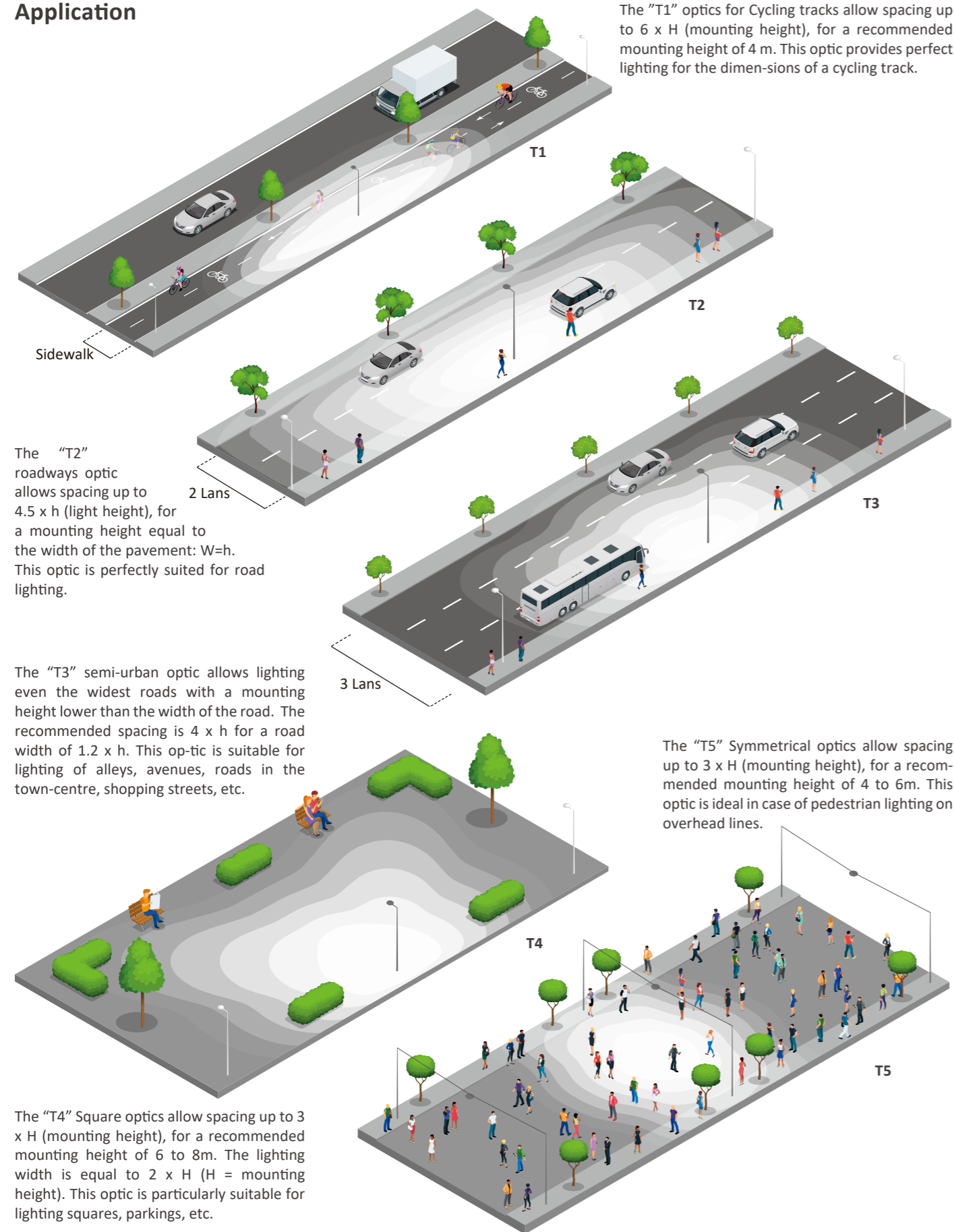


FL845

* Initial S: Street light ; Initial G: Garden light ; Initial F: Flood light

About Photometric

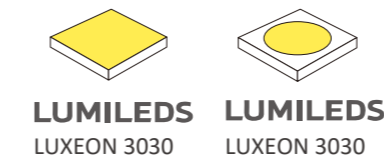
Application



High Power LED chip



Mid Power LED chip



Wide Range of Colour Temperatures



Broadcast Color Options

CCT	TLCI Options
5700K	95 min
	90 min

- Provides a natural "daylight" experience to indoor & night events
- Reduces the lighting intensity needed for excellent picture quality
- Reduces manual color correction necessary for broadcast



About Driver

DALI2

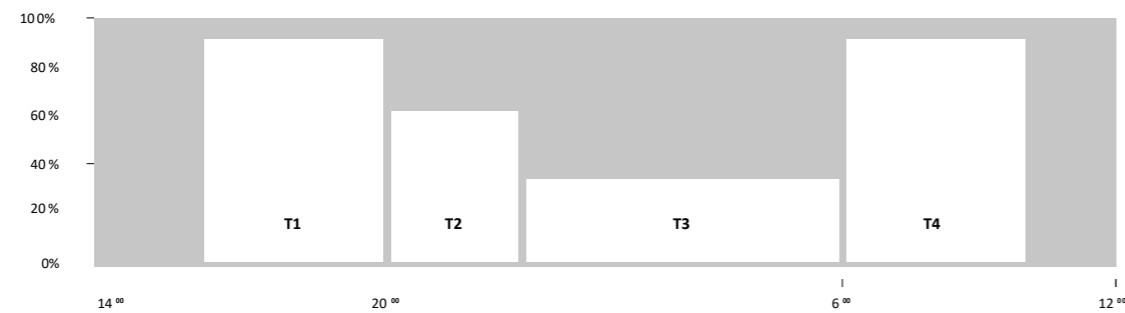
In this operating mode, the driver can be controlled by a DALI application controller via the bidirectional DALI interface and it supports status request queries. Through the application controller, the driver can be integrated into a light management system. The drivers are DALI-2-certified and support stepless dimming, status requests, and addressing of each individual light point. Compared to devices based on DALI version-1, DALI-2-certified drivers ensure more functions and a higher interoperability in the system.

1 - 10 V

Analog signal interface with no feedback from driver. For this dimming interface 100% is the maximum of driver and 10% is the minimum level. The output status is not guaranteed when the dimming signal is less than 1V. The output of LED driver could be completely switched off or there is still some light coming out of LED module. If application requirement is to completely turn off the driver, then additional switch at AC mains of driver is required.

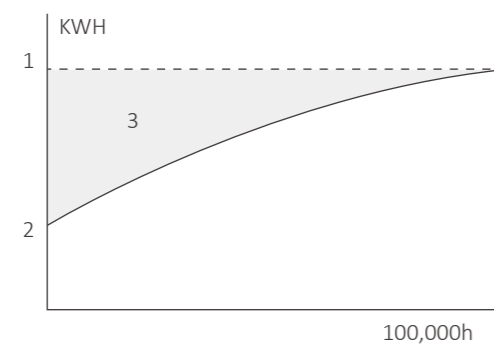
Midnight dimming

Automatic dimming via an integrated timer (no real-time clock): Five independent dimming levels and zones can be set with the Tuner4TRONIC® software. Brightness variation is possible in combination with an external presence sensor.



Constant Light Output (CLO)

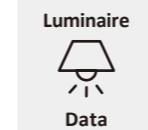
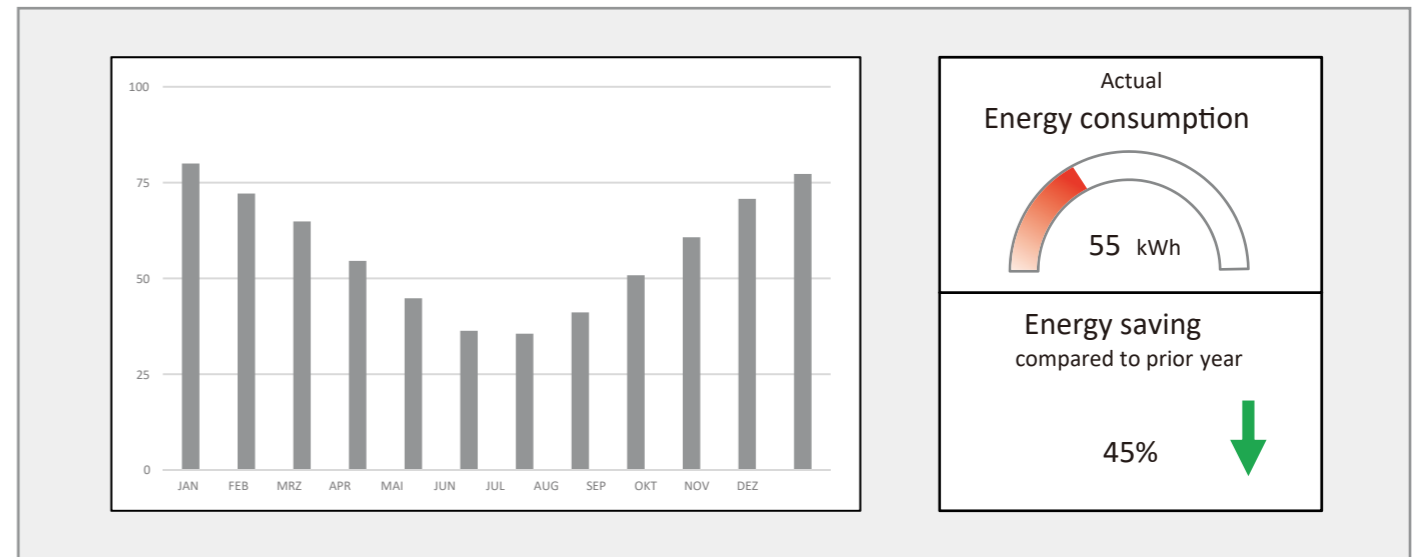
The decrease in the luminous flux of an LED module can be compensated over its entire lifetime via a pre-programmed current curve. This not only ensures stable lighting but also saves energy and increases the lifetime of the LEDs.



Data for predictive maintenance of luminaires and energy efficiency optimization

LED drivers with this feature offer additional operation and status information that exceeds what is currently offered by the DALI standard (such as energy consumption, power, operating time or overvoltage). Such data enable predictive maintenance as well as accelerated and more efficient lighting services. Moreover, it makes the light management system intelligent. The data can also be visualized with the Tuner4TRONIC software.

Energy consumption



Luminaire Data with electronic type label

In order to make light management systems intelligent in terms of service and predictive maintenance, they need basic information about the connected luminaires (model, power, service life etc.). During production, the luminaire manufacturer can store these data in the LED driver, and the light management system can recall these data in the installation.

LED driver state

● Condition	
Operating hours	8.598 h
Switch cycles	89
● Power input	
● Overvoltage	
● Undervoltage	
Input voltage	232 V
Input frequency	50 Hz

LED module state

● Condition	
Operating hours	6.351 h
Switch cycles	137
Temperature	89°C
● Power reduction	
● Safety switch -off	
Short-circuit	
● No LED module	/ Open

About Application

The BUG system

Backlight, which creates light trespass onto adjacent sites. The B rating takes into account the amount of light in the BL, BM, BH and BVH zones, which are direction of the luminaire OPPOSITE from the area intended to be lighted.

Uplight, which causes artificial sky glow. Lower uplight (zone UL) causes the most sky glow and negatively affects professional and academic astronomy. Upper uplight (UH) is mostly energy waste. The U rating accounts the amount of light into the upper hemisphere with greater concern for the lower uplight angles in UL. Glare, which can be annoying or visually disabling. The G rating takes into account the amount of frontlight in the FH and FVH zones as well as BH and BVH zones.

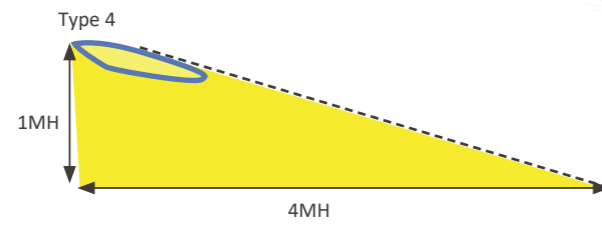
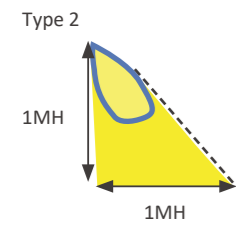
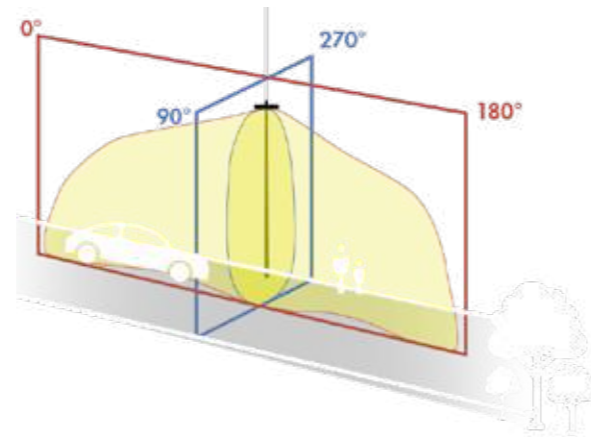
Dark Sky Friendly



HOW TO READ POLAR CURVES

0° to 180° (red):
Light along the road

90° to 270° (blue):
Light across the road
The polar curve can be used to estimate optimal beam for installation

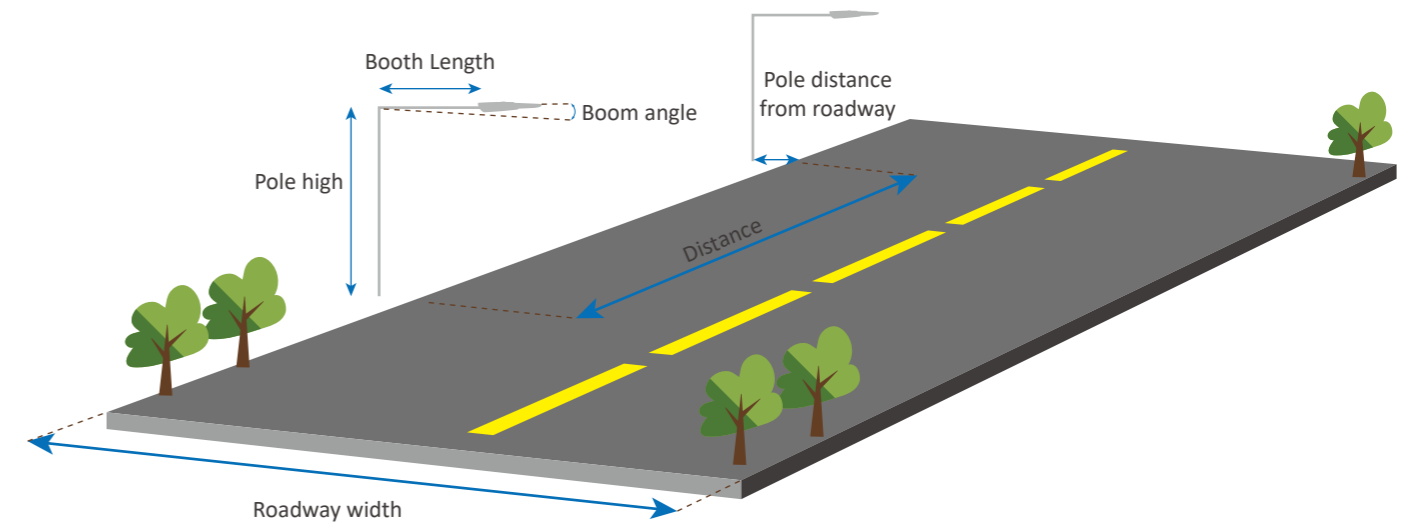


MH = Mounting height unit

The average road surface luminance (L_m), the overall uniformity of the luminance (U_o), the longitudinal uniformity of the luminance (U_l), the threshold increment (TI) and the surround ratio (SR) are to be calculated and measured in accordance with EN 13201-3 and EN 13201-4.

Class	Luminance of the road surface of the carriageway for the dry road surface condition			Disability glare TI% [maximum]	Lighting of surroundings SR ² [minimum]
	L_m (cd/m ²) [minimum maintained]	U_o [minimum]	U_l [minimum]		
ME1	2.0	0.4	0.7	10	0.5
ME2	1.5	0.4	0.7	10	0.5
ME3a	1.0	0.4	0.7	15	0.5
ME3b	1.0	0.4	0.6	15	0.5
ME3c	1.0	0.4	0.5	15	0.5
ME4a	0.75	0.4	0.6	15	0.5
ME4b	0.75	0.4	0.5	15	0.5
ME5	0.5	0.35	0.4	15	0.5
ME6	0.3	0.35	0.4	15	no requirement

Road and luminaries selection



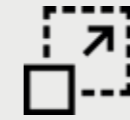
You are one step away
from intelligent remote management

ATRIX

Beyond lighting

Connect and remotely manage your entire system

Control by groups, projects, or devices
Geolocation, notifications, and action scheduling



Open and scalable system,
tailored to your needs



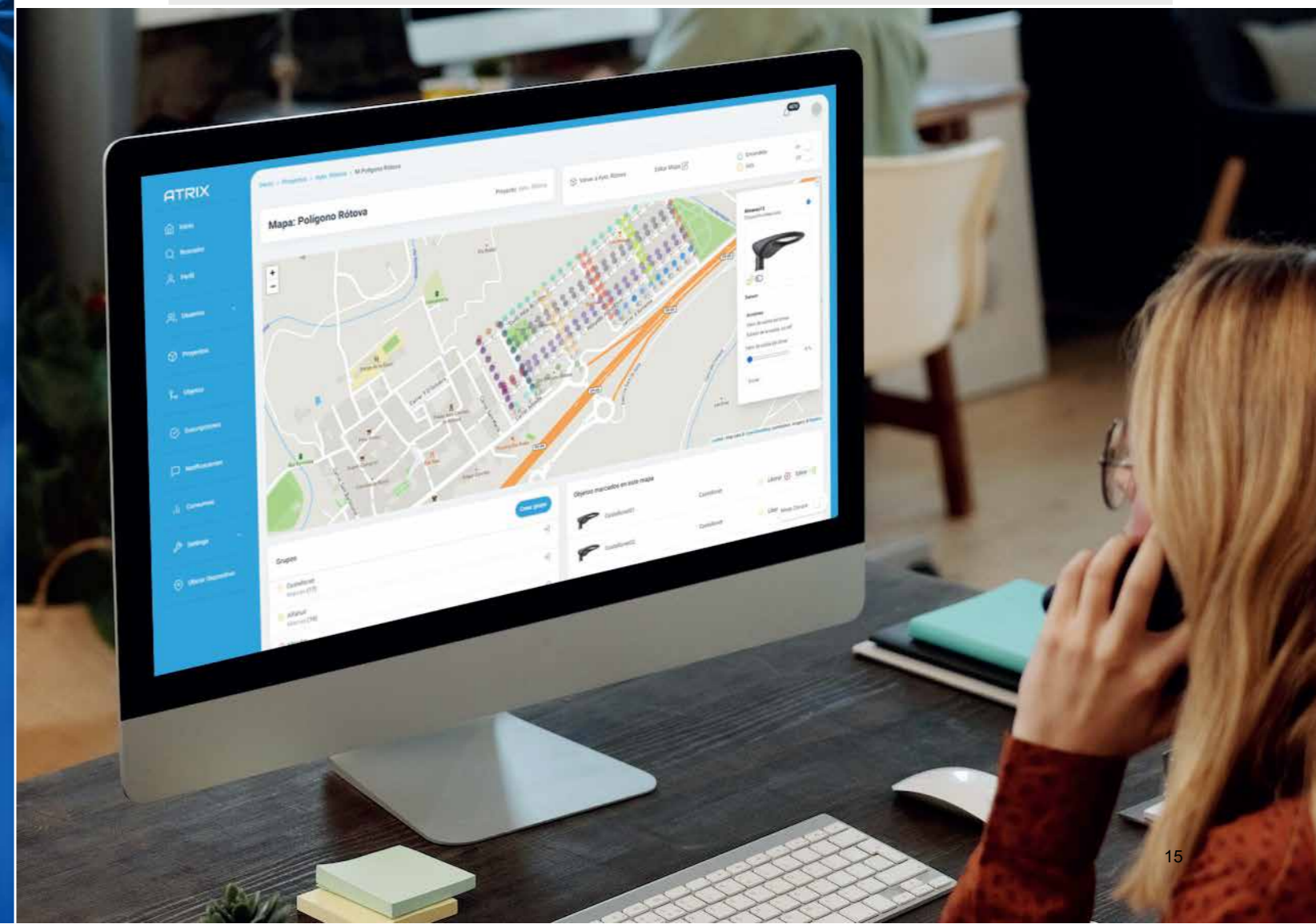
Real-time management
and alerts



Multi-platform
Dashboards

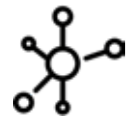


Easy and intuitive interface



All control at your fingertips

Make smart decisions by analyzing data, receiving alerts, and efficiently increasing energy savings



Create connected spaces



Increase people's safety



Save energy with maximum efficiency



Deliver relevant information instantly



Detect incidents and resolve them in time

Your interconnected city

With ATRIX, you can manage and visualize all the systems and services of your city in an integrated way.

Connect any indicator you can imagine that is equipped with a sensor or measurement device.

Create your smart city or intelligent project

Savings, safety, and sustainability are the goals we pursue when creating intelligent and connected projects



Temperature
Humidity
CO₂
Outdoor / indoor
air quality



Occupancy
control



Energy
savings



Door and window
sensors



Parking and
PMR



Public
lighting



SOS
button



Waste
management

ATRIX SOLAR



Greater efficiency and energy savings

Real-time parameter optimization and summer/winter performance



Reduced maintenance and enhanced security

Component status diagnostics and proactive fault detection



Sustainability

Detailed reporting on savings and CO₂ emissions reduction



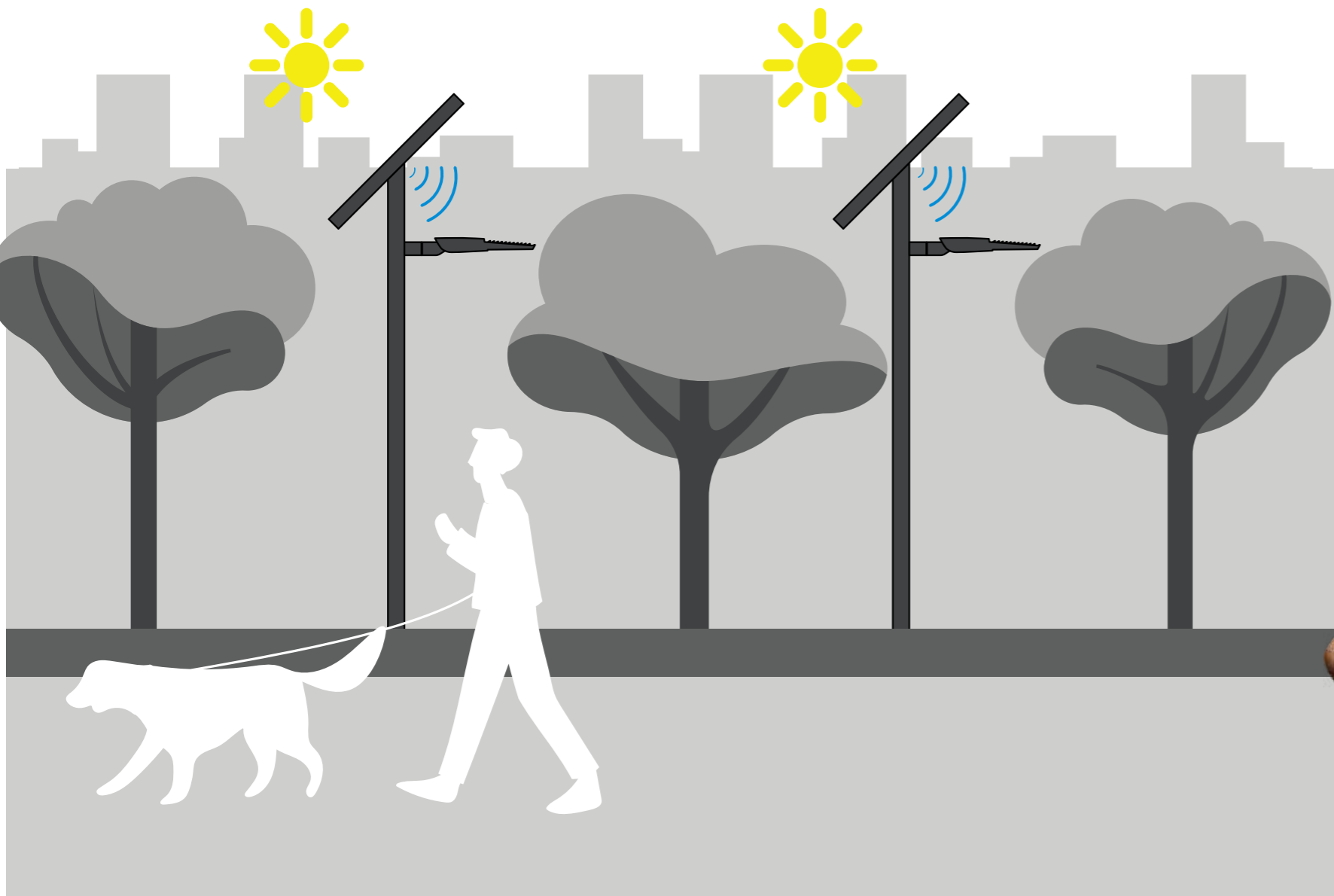
Customized configuration

Real-time and remote programming and incident resolution

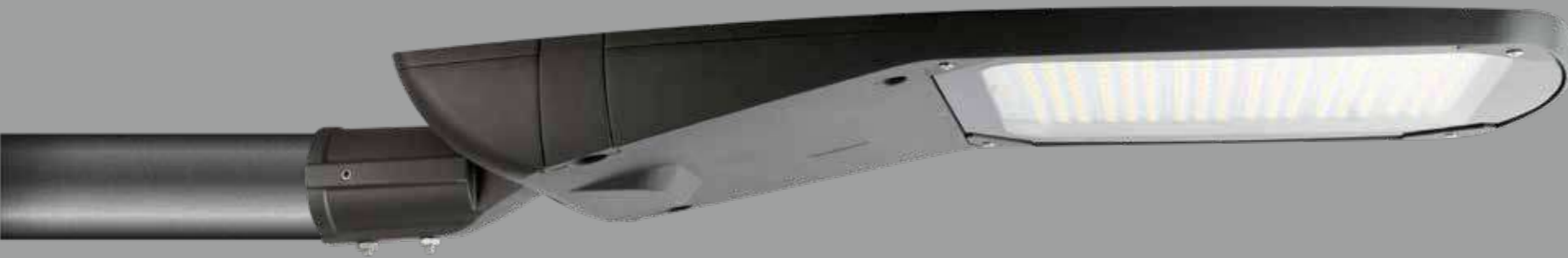


Intelligent analysis and decision-making

Creación de cuadros de mando personalizados y reportes automáticos.



Pop



Pop is a modern and economical model.

- Modern design & Reliable Quality
- Ready for smart control and D4I
- Good Thermal control system to ensure long lifetime
- Tool-free design for easy installation and maintenance
- Low wind area and drop protector
- Best optic design ensure good uniformity



Pop

V120 Series

Patented design

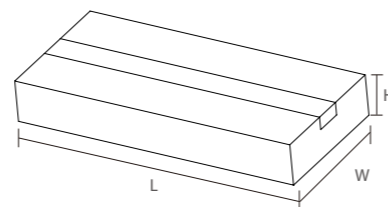


Technical information

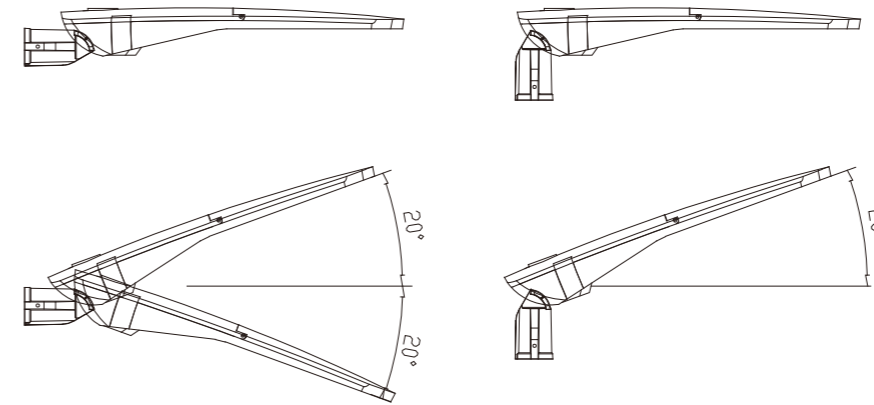
Parameter	Technical data	Parameter	Technical data
Lifetime	Up to 100,000hrs LM70, Ta 25 C	Driver isolation	Class I or Class II
Wattags	20~250W	Control dimming	DALI / 1-10V / Timing / PWM / ON/OFF
Light efficacy	Up to 160lm/W	Operating temperature	-35°C~50°C / 10% ~ 95% (humidity)
CRI	≥ 70	Body parts material	ADC12 (standard) / LM6 (option)
Color temperature	3000K, 4000K, Amber color	Optic	PC (standard) / PMMA (option)
Operation voltage	AC 220-240V	Screen	Flat tempered glass 5mm thickness
Frequency	50 / 60Hz	Gasket	Silicone
Power factor	≥0.95 cos	Color stability	5 MacAdam steps

Packing Information

Model	Carton Size(L*W*H)	QTY/Carton	N.W.(kg)	G.W.(kg)
XS V120S	610*270*150mm	1	4.8	5.3
S V120SP	660*270*150mm	1	5.2	5.9
M V120M	710*320*165mm	1	6.4	7.2
L V120MP	750*320*150mm	1	7.2	8.1
XL V120L	830*370*175mm	1	9.0	10.1



Adjustable Angle



Details



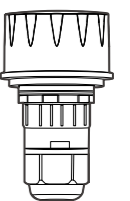
Motion sensor as option



Zhaga base Motion Sensor

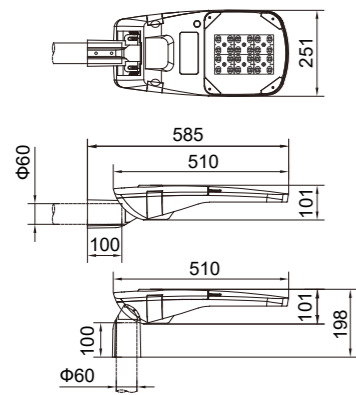
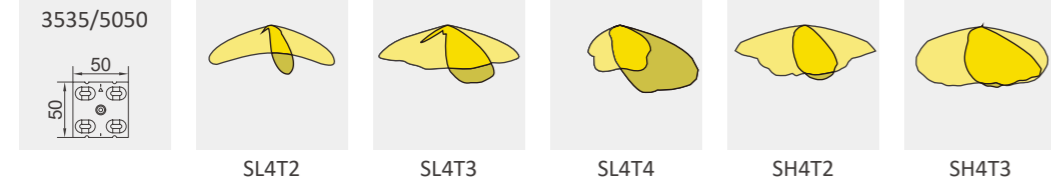
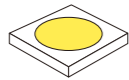
Motion sensor / Daylight Sensor

Code.SC807



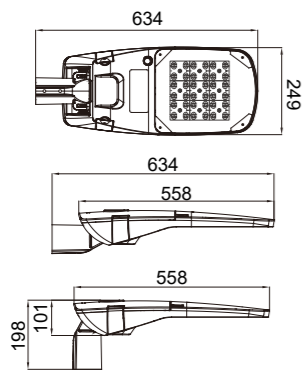
Pop

Optics available



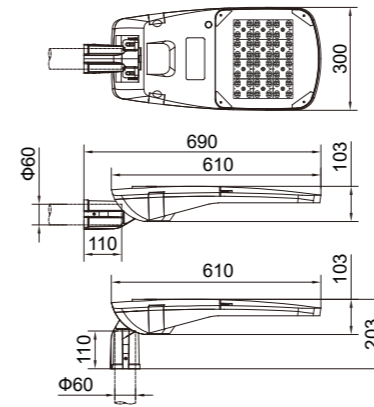
V120S

Chip	LED QTY	Lens QTY	Power (W)	Luminaire output flux (lm)	Luminaire efficacy (lm/W)
5050	16	4	20	3000	150
5050	16	4	30	4500	150
5050	16	4	40	6000	150
5050	16	4	50	7500	150
5050	24	6	60	9000	150
5050	24	6	70	10500	150
5050	24	6	80	12000	150



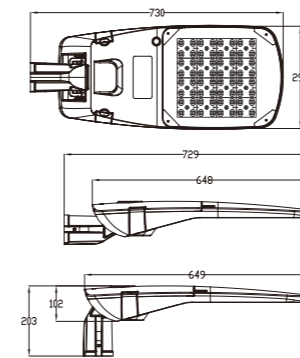
V120SP

Chip	LED QTY	Lens QTY	Power (W)	Luminaire output flux (lm)	Luminaire efficacy (lm/W)
5050	32	8	80	12000	150
5050	32	8	90	13500	150
5050	36	9	100	15000	150
5050	36	9	110	16500	150
5050	36	9	120	18000	150



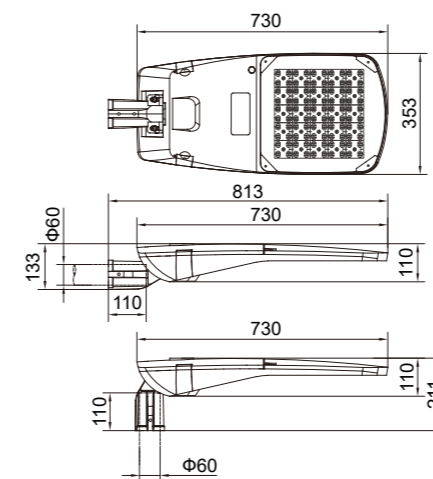
V120M

Chip	LED QTY	Lens QTY	Power (W)	Luminaire output flux (lm)	Luminaire efficacy (lm/W)
5050	32	8	90	13500	150
5050	32	8	100	15000	150
5050	36	9	110	16500	150
5050	36	9	120	18000	150
5050	36	9	130	19500	150
5050	48	12	140	21000	150
5050	48	12	150	22500	150
5050	48	12	160	24000	150
5050	48	12	170	25500	150
5050	48	12	180	27000	150



V120MP

Chip	LED QTY	Lens QTY	Power (W)	Luminaire output flux (lm)	Luminaire efficacy (lm/W)
5050	48	12	150	22500	150
5050	48	12	160	24000	150
5050	64	16	170	25500	150
5050	64	16	180	27000	150
5050	64	16	190	28500	150
5050	64	16	200	30000	150



V120L

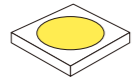
Chip	LED QTY	Lens QTY	Power (W)	Luminaire output flux (lm)	Luminaire efficacy (lm/W)
5050	80	20	180	27000	150
5050	80	20	190	28500	150
5050	80	20	200	30000	150
5050	100	25	210	31500	150
5050	100	25	220	33000	150
5050	100	25	230	34500	150
5050	100	25	240	36000	150
5050	100	25	250	37500	150

* 5050: LUMILEDS 5050; 3535: CREE XPG3; 3030: LUMILEDS 3030

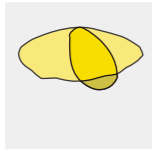
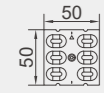
Lm: This data is tested under normal working condition, the actual data will depends on environment condition, optics/diffuser and CCT.

Pop

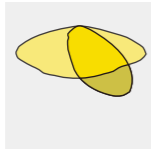
Optics available



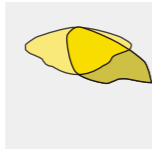
3535/5050



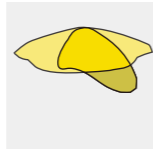
SL6T1



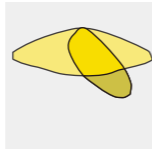
SL6T2



SL6T3



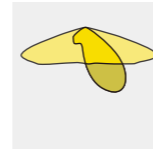
SX6T3



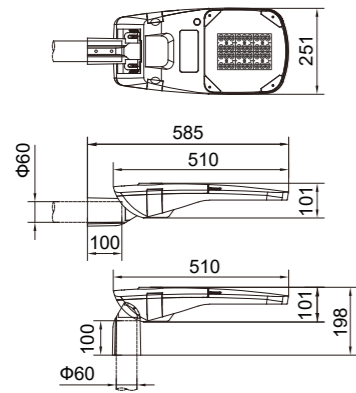
SL6G1



SL6G2

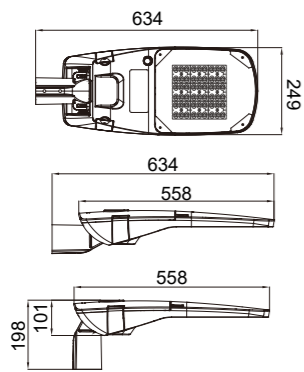


SL6G3



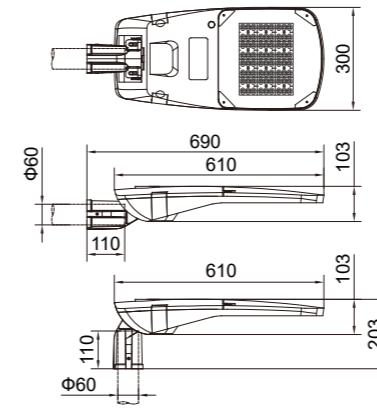
V120S

Chip	LED QTY	Lens QTY	Power (W)	Luminaire output flux (lm)	Luminaire efficacy (lm/W)
5050	24	4	20	2800	140
5050	24	4	30	4200	140
5050	24	4	40	5600	140
5050	24	4	50	7000	140
5050	36	6	60	8400	150
5050	36	6	70	9800	150
5050	36	6	80	11200	150



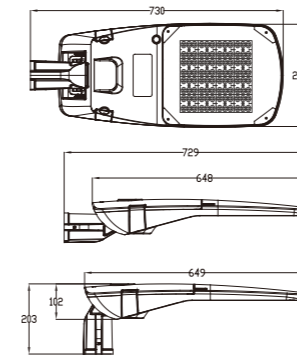
V120SP

Chip	LED QTY	Lens QTY	Power (W)	Luminaire output flux (lm)	Luminaire efficacy (lm/W)
5050	48	8	80	11200	140
5050	48	8	90	12600	140
5050	54	9	100	14000	140
5050	54	9	110	15400	140
5050	54	9	120	16800	140



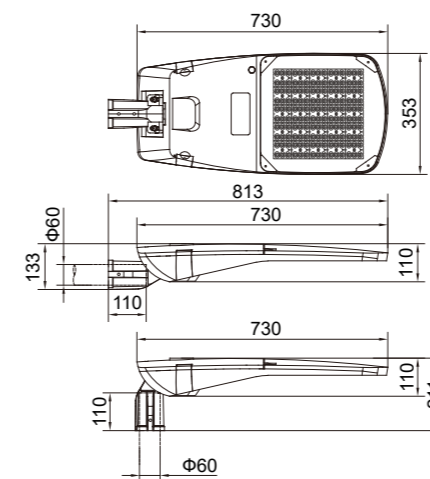
V120M

Chip	LED QTY	Lens QTY	Power (W)	Luminaire output flux (lm)	Luminaire efficacy (lm/W)
5050	48	8	90	12600	140
5050	48	8	100	14000	140
5050	54	9	110	15400	140
5050	54	9	120	16800	140
5050	54	9	130	18200	140
5050	72	12	140	19600	140
5050	72	12	150	21000	140
5050	72	12	160	22400	140
5050	72	12	170	23800	140
5050	72	12	180	25200	140



V120MP

Chip	LED QTY	Lens QTY	Power (W)	Luminaire output flux (lm)	Luminaire efficacy (lm/W)
5050	72	12	150	21000	140
5050	72	12	160	22400	140
5050	96	16	170	23800	140
5050	96	16	180	25200	140
5050	96	16	190	26600	140
5050	96	16	200	28000	140



V120L

Chip	LED QTY	Lens QTY	Power (W)	Luminaire output flux (lm)	Luminaire efficacy (lm/W)
5050	120	20	180	25200	140
5050	120	20	190	26600	140
5050	120	20	200	28000	140
5050	150	25	210	29400	140
5050	150	25	220	30800	140
5050	150	25	230	32200	140
5050	150	25	240	33600	140
5050	150	25	250	35000	140

* 5050: LUMILEDS 5050; 3535: CREE XPG3; 3030: LUMILEDS 3030

Lm: This data is tested under normal working condition, the actual data will depends on environment condition, optics/diffuser and CCT.

Pop



Installation mode

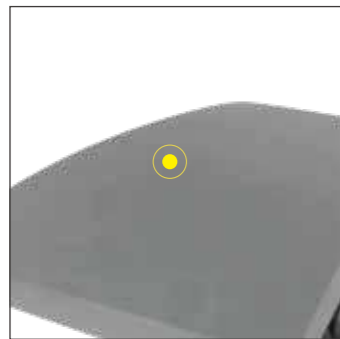


Cross mounting



Column mounting

Product Features



The lamp body adopts high-strength aluminum die-casting integrated molding



High temperature resistance and long service life



high reliability, with 1-10V and time control function



Convenient for construction personnel with accurate level



High transparency tempered glass, high protection, easy to clean



Positive and negative 20 ° installation adjustment, Better control of light



Suitable for various lamp pole diameters $\phi 60\text{mm}/76\text{mm}/48\text{mm}$

Motion sensor



Sensing devices

Various Sensor devices can define different luminous flux according to traffic conditions, weather, city safety requirement to reach the best performance for energy saving and make the citizen more comfortable.



MOVEMENT AND DETECTION

luminaires activated by-unite or by group when detected the movement including vehicle traffic and human transit and dimming criteria Time for each action.



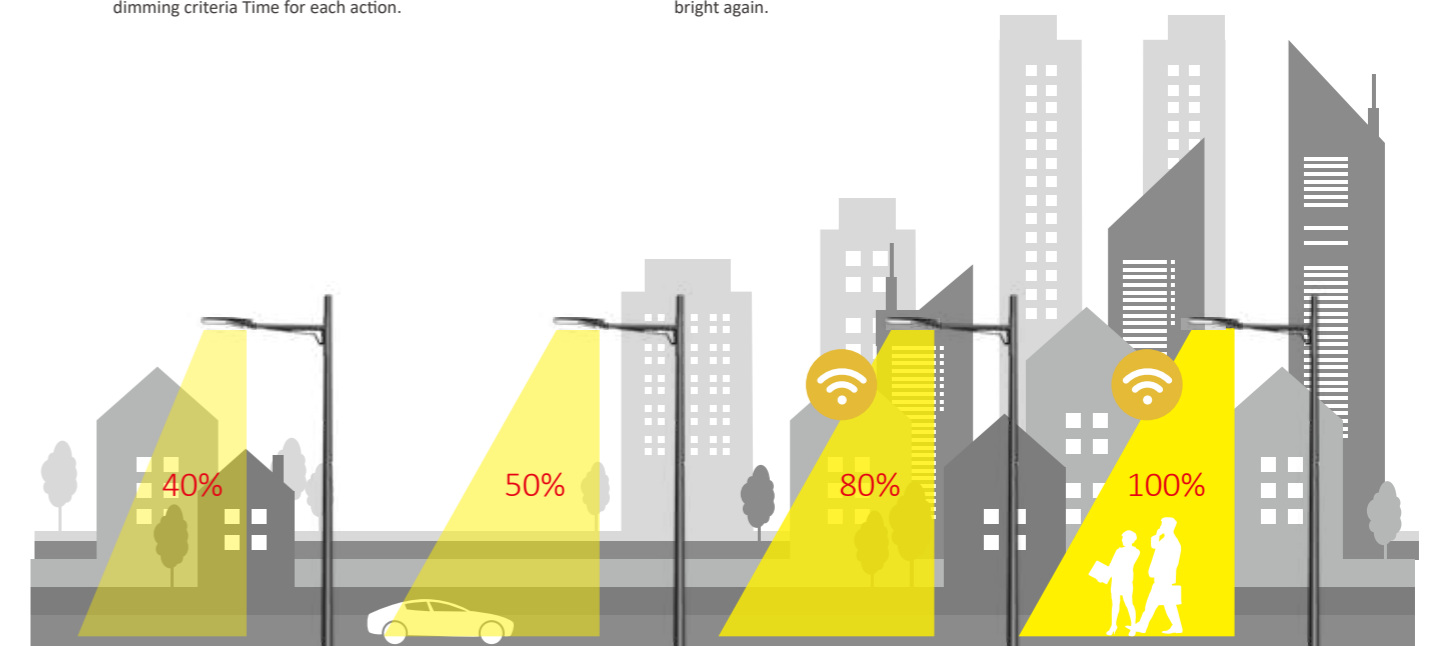
PHOTOCELL AND NEMA SHOCKET

The fittings are turn down when the surrounding environment is dark and turned off when it becomes bright again.



OTHER SENSORS

Air Pollution, Temperature, wind, humidity, Camera,



Imperio



IMPERIO looks very modern with simple and super-thin design.

- 3 sizes for different wattage from 20W to 250W
- Super luminaire efficiency up to 150 lm/w
- High light efficiency and perfect light distribution
- Good Thermal control system to ensure long lifetime
- Tool-free design for easy installation and maintenance
- Low wind area and drop protector

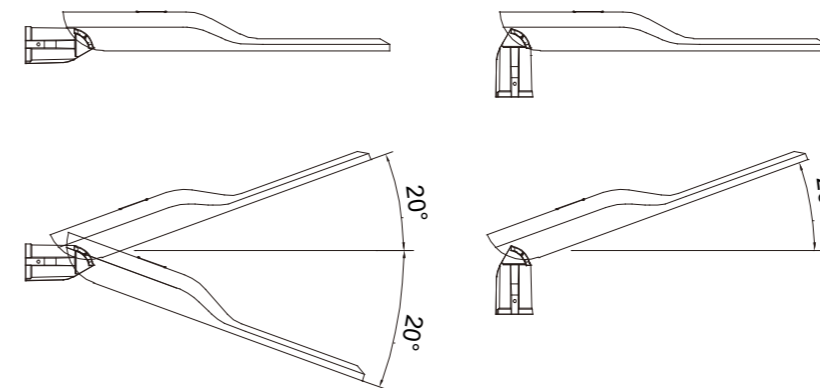
Imperio

V310 Series

Patented design



Adjustable Angle



Technical information

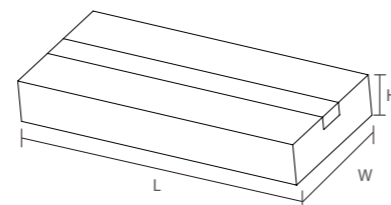
Parameter	Technical data	Parameter	Technical data
Lifetime	Up to 100,000hrs LM70, Ta 25 C	Driver isolation	Class I or Class II
Wattags	20~250W	Control dimming	DALI / 1-10V / Timing / PWM
Light efficacy	Up to 151lm/W	Operating temperature	-35°C~50°C / 10% ~ 95% (humidity)
CRI	≥ 70 or ≥ 80	Body parts material	ADC12 (standard) / LM6 (option)
Color temperature	3000K, 4000K, Amber color	Optic	PC (standard) / PMMA (option)
Operation voltage	AC 90-305V or AC 220-240V	Screen	Flat tempered glass 5mm thickness
Frequency	50 / 60Hz	Gasket	Silicone
Power factor	≥0.95 cos	Color stability	3 or 5 MacAdam steps

Details



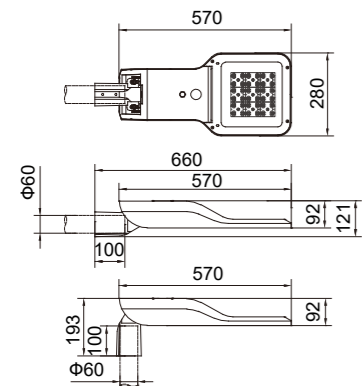
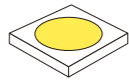
Packing Information

Model	Carton Size(L*W*H)	QTY/Carton	N.W.(kg)	G.W.(kg)
S V310S	675*305*160mm	1	6.7	7.3
M V310M	765*350*150mm	1	8.5	8.8
L V310L	865*380*150mm	1	9.6	11.0

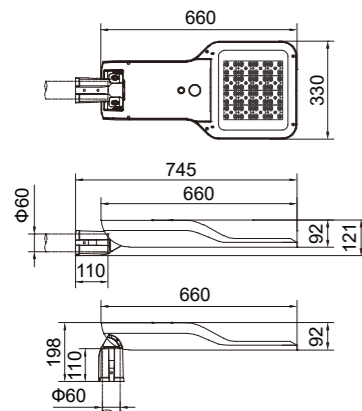


Imperio

Optics available



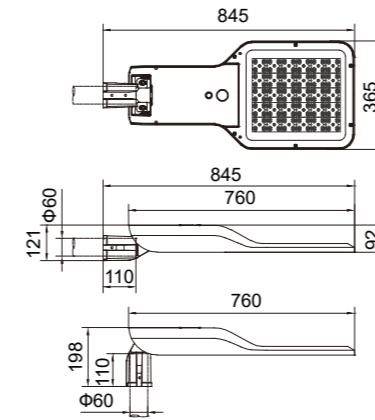
V310S
Imperio S



V310M
Imperio M

Chip	LED QTY	Lens QTY	Power (W)	Luminaire output flux (lm)	Luminaire efficacy (lm/W)
5050	16	4	20	3000	150
5050	16	4	30	4500	150
5050	24	6	40	6000	150
5050	24	6	50	7500	150
5050	36	9	60	9000	150
5050	36	9	80	12000	150

Chip	LED QTY	Lens QTY	Power (W)	Luminaire output flux (lm)	Luminaire efficacy (lm/W)
5050	36	9	60	9000	150
5050	36	9	80	12000	150
5050	48	12	90	13500	150
5050	48	12	100	15000	150
5050	48	12	110	16500	150
5050	64	16	120	18000	150
5050	64	16	130	19500	150
5050	64	16	140	21000	150
5050	64	16	150	22500	150



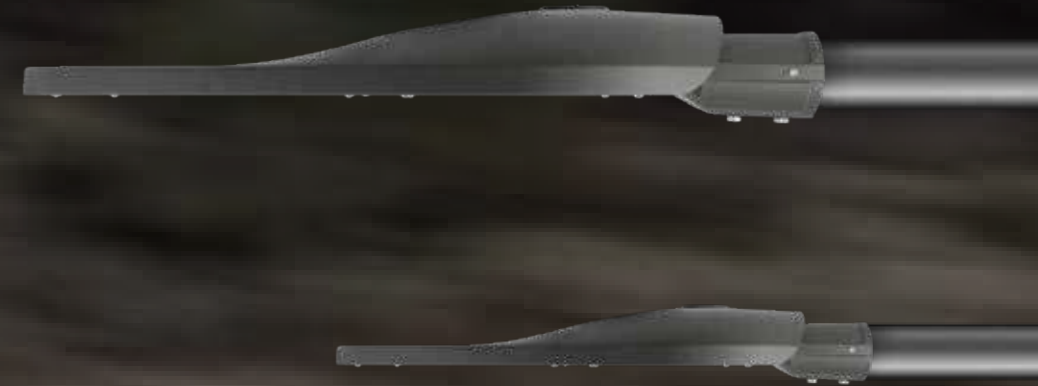
V310L
Imperio L

Chip	LED QTY	Lens QTY	Power (W)	Luminaire output flux (lm)	Luminaire efficacy (lm/W)
5050	80	20	160	24000	150
5050	80	20	170	25500	150
5050	100	25	180	27000	150
5050	100	25	190	28500	150
5050	100	25	200	30000	150
5050	100	25	210	31500	150
5050	120	30	220	33000	150
5050	120	30	230	34500	150
5050	120	30	240	36000	150
5050	120	30	250	37500	150

* 5050: LUMILEDS 5050; 3535: CREE XPG3; 3030: LUMILEDS 3030

Lm: This data is tested under normal working condition, the actual data will depends on environment condition, optics/diffuser and CCT.

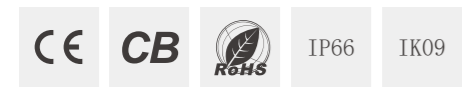
Clau



Clau design Inspired by the McLaren sports car key.

- 2 sizes for different wattage from 50W to 150W
- Super luminaire efficiency up to 150 lm/w
- High light efficiency and perfect light distribution
- Economical



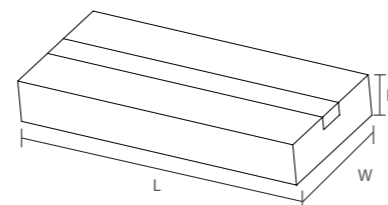


Technical information

Parameter	Technical data	Parameter	Technical data
Lifetime	Up to 100,000hrs LM70,Ta 25 C	Driver isolation	Class I or Class II
Wattags	20~150W	Control dimming	DALI / 1-10V / Timing / PWM
Light efficacy	Up to 160lm/W	Operating temperature	-35°C~50°C / 10% ~ 95% (humidity)
CRI	≥ 70 or ≥ 80	Body parts material	ADC12 (standard) / LM6 (option)
Color temperature	3000K, 4000K, Amber color	Optic	PC (standard) / PMMA (option)
Operation voltage	AC 90-305V or AC 220-240V	Screen	Flat tempered glass 5mm thickness
Frequency	50 / 60Hz	Gasket	Silicone
Power factor	≥0.95 cos	Color stability	3 or 5 MacAdam steps

Packing Information

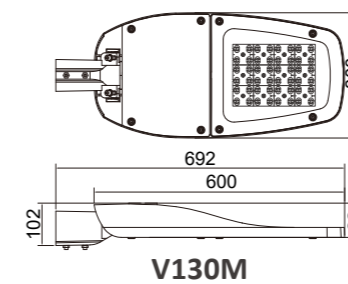
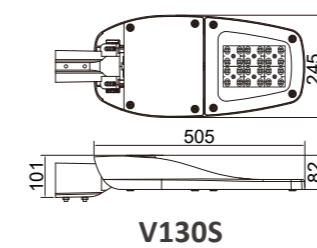
Model	Carton Size(L*W*H)	QTY/Carton	N.W.(kg)	G.W.(kg)
S V130S	605*250*130mm	1	3.2	3.8
M V130M	710*320*130mm	1	5.0	5.8



Details



Optics available



Chip	LED QTY	Lens QTY	Power (W)	Luminaire output flux (lm)	Luminaire efficacy (lm/W)
5050	24	6	20	3000	150
5050	24	6	30	4500	150
5050	24	6	40	6000	150
5050	36	9	50	7500	150
5050	36	9	60	9000	150
5050	36	9	70	10500	150
5050	36	9	80	12000	150
Chip	LED QTY	Lens QTY	Power (W)	Luminaire output flux (lm)	Luminaire efficacy (lm/W)
5050	36	9	80	10500	150
5050	36	9	90	12000	150
5050	48	12	100	15000	150
5050	48	12	120	18000	150

* 5050: LUMILEDS 5050; 3535: CREE XPG3; 3030: LUMILEDS 3030

Lm: This data is tested under normal working condition, the actual data will depends on environment condition, optics/diffuser and CCT.

Urban series



Yoga
V401

Edison
V721

Flat B
V711

Flat C
V702

Flat A
V701

Flat D
V703

Zafir
V731

Yoga

V401

Patented design

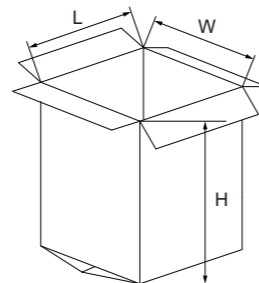


Technical information

Parameter	Technical data	Parameter	Technical data
Lifetime	Up to 100,000hrs LM70, Ta 25 C	Driver isolation	Class I or Class II
Wattags	20~100W	Control dimming	DALI / 1-10V / Timing / PWM
Light efficacy	Up to 129lm/W	Operating temperature	-35°C~50°C / 10% ~ 95% (humidity)
CRI	≥ 70 or ≥ 80	Body parts material	Die cast Aluminum
Color temperature	3000K, 4000K, Amber color	Optic	PC (standard) / PMMA (option)
Operation voltage	AC 90-305V or AC 220-240V	Screen	Flat tempered glass 5mm thickness
Frequency	50 / 60Hz	Gasket	Silicone
Power factor	≥0.95 cos	Color stability	3 or 5 MacAdam steps

Packing Information

Model	Carton Size(L*W*H)	QTY/Carton	N.W.(kg)	G.W.(kg)
V401	505*455*600mm	1	10.0	13.8
Bulk items-top	505*455*145mm	1	8.0	9.5
Bulk items-bracket	500*500*510mm	5	9.5	11.5



Details

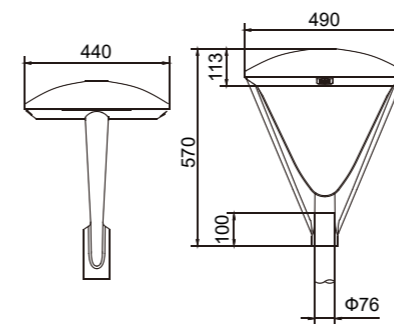
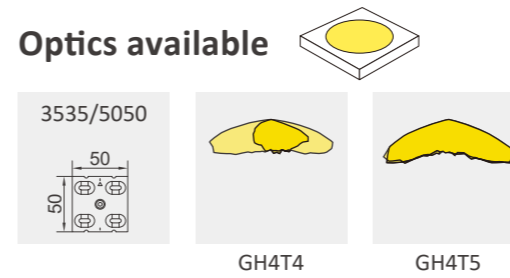


Accessories - Adapter



Spigot size 76 to 60 mm

Optics available



Chip	LED QTY	Lens QTY	Power (W)	Luminaire output flux (lm)	Luminaire efficacy (lm/W)
5050	16	4	20	2560	128
5050	16	4	30	3840	128
5050	24	6	40	5120	128
5050	24	6	50	6400	128
5050	32	8	60	7740	129
5050	32	8	70	8050	115
5050	48	12	80	9200	115
5050	48	12	90	10350	115
5050	48	12	100	11500	115

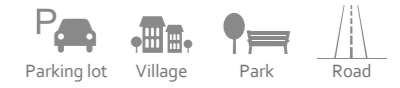
* 5050: LUMILEDS 5050; 3535: CREE XPG3; 3030: LUMILEDS 3030

Lm: This data is tested under normal working condition, the actual data will depends on environment condition, optics/diffuser and CCT.

Flat A

Patented design

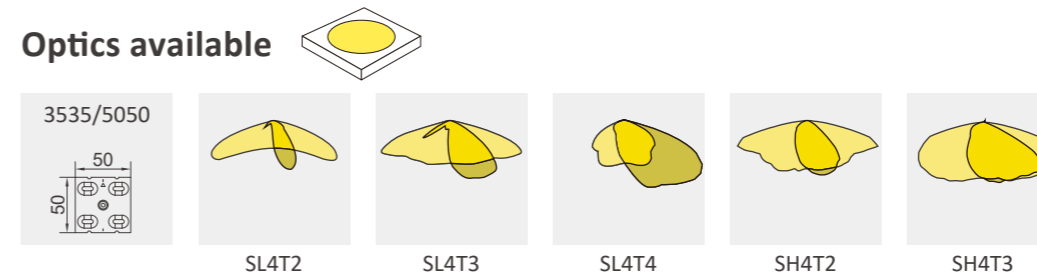
V701



Details

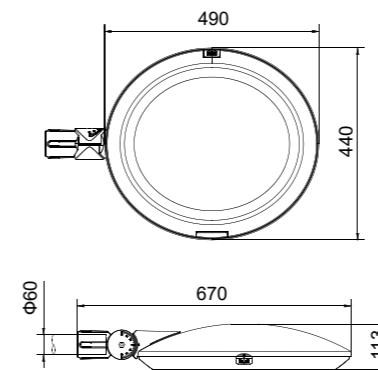


Optics available



Technical information

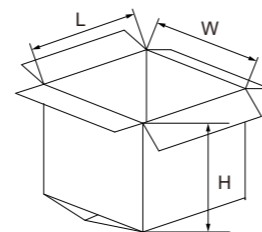
Parameter	Technical data	Parameter	Technical data
Lifetime	Up to 100,000hrs LM70, Ta 25 C	Driver isolation	Class I or Class II
Wattags	20~100W	Control dimming	DALI / 1-10V / Timing / PWM
Light efficacy	Up to 143lm/W	Operating temperature	-35°C~50°C / 10% ~ 95% (humidity)
CRI	≥ 70 or ≥ 80	Body parts material	Die cast Aluminum
Color temperature	3000K, 4000K, Amber color	Optic	PC (standard) / PMMA (option)
Operation voltage	AC 90-305V or AC 220-240V	Screen	Flat tempered glass 5mm thickness
Frequency	50 / 60Hz	Gasket	Silicone
Power factor	≥0.95 cos	Color stability	3 or 5 MacAdam steps



Chip	LED QTY	Lens QTY	Power (W)	Luminaire output flux (lm)	Luminaire efficacy (lm/W)
5050	16	4	20	2560	128
5050	16	4	30	3840	128
5050	24	6	40	5120	128
5050	24	6	50	6400	128
5050	32	8	60	7740	129
5050	32	8	70	8050	115
5050	48	12	80	9200	115
5050	48	12	90	10350	115
5050	48	12	100	11500	115

Packing Information

Model	Carton Size(L*W*H)	QTY/Carton	N.W.(kg)	G.W.(kg)
Flat A	705*475*150mm	1	9.3	11.7



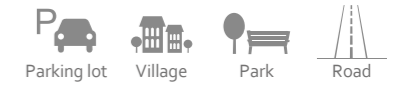
* 5050: LUMILEDS 5050; 3535: CREE XPG3; 3030: LUMILEDS 3030

Lm: This data is tested under normal working condition, the actual data will depends on environment condition, optics/diffuser and CCT.

Edison

Patented design

V721

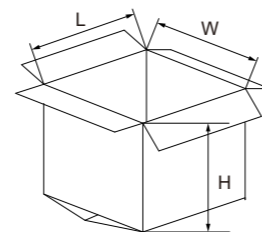


Technical information

Parameter	Technical data	Parameter	Technical data
Lifetime	Up to 100,000hrs LM70, Ta 25 C	Driver isolation	Class I or Class II
Wattags	20~60W	Control dimming	DALI / 1-10V / Timing / PWM
Light efficacy	Up to 130lm/W	Operating temperature	-35°C~50°C / 10% ~ 95% (humidity)
CRI	≥ 70 or ≥ 80	Body parts material	Die cast Aluminum
Color temperature	3000K, 4000K, Amber color	Optic	PC (standard) / PMMA (option)
Operation voltage	AC 90-305V or AC 220-240V	Screen	PC(standard)
Frequency	50 / 60Hz	Gasket	Silicone
Power factor	≥0.95 cos	Color stability	3 or 5 MacAdam steps

Packing Information

Model	Carton Size(L*W*H)	QTY/Carton	N.W.(kg)	G.W.(kg)
V721	505*455*260mm	1	7.15	11.7



Details

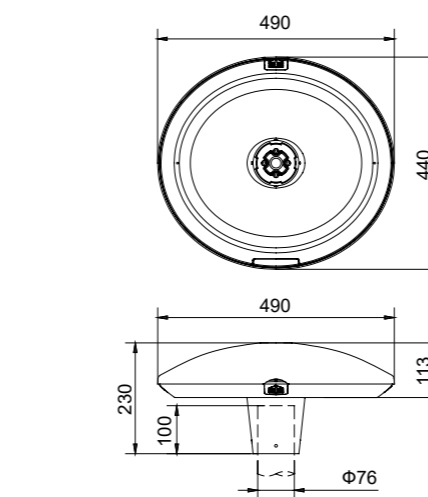
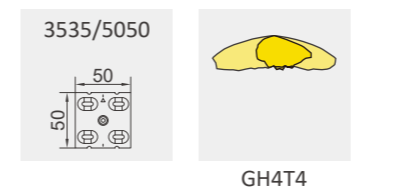


Accessories - Adapter



Spigot size 76 to 60 mm

Optics available



Chip	LED QTY	Lens QTY	Power (W)	Luminaire output flux (lm)	Luminaire efficacy (lm/W)
5050	16	4	20	2560	128
5050	16	4	30	3840	128
5050	24	6	40	5120	128
5050	24	6	50	6400	128
5050	32	8	60	7740	129

* 5050: LUMILEDS 5050; 3535: CREE XPG3; 3030: LUMILEDS 3030

Lm: This data is tested under normal working condition, the actual data will depends on environment condition, optics/diffuser and CCT.

Flat B

Patented design

V711

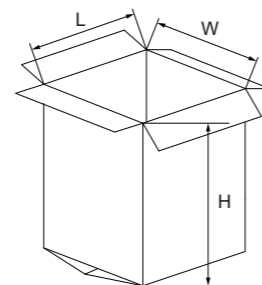


Technical information

Parameter	Technical data	Parameter	Technical data
Lifetime	Up to 100,000hrs LM70, Ta 25 C	Driver isolation	Class I or Class II
Wattags	20~100W	Control dimming	DALI / 1-10V / Timing / PWM
Light efficacy	Up to 135lm/W	Operating temperature	-35°C~50°C / 10% ~ 95% (humidity)
CRI	≥ 70 or ≥ 80	Body parts material	Die cast Aluminum
Color temperature	3000K, 4000K, Amber color	Optic	PC (standard) / PMMA (option)
Operation voltage	AC 90-305V or AC 220-240V	Screen	Flat tempered glass 5mm thickness
Frequency	50 / 60Hz	Gasket	Silicone
Power factor	≥0.95 cos	Color stability	3 or 5 MacAdam steps

Packing Information

Model	Carton Size(L*W*H)	QTY/Carton	N.W.(kg)	G.W.(kg)
V711	505*455*630mm	1	9.7	11.3



Details

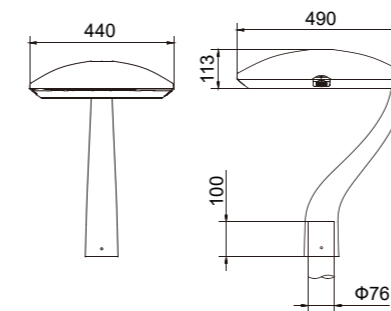
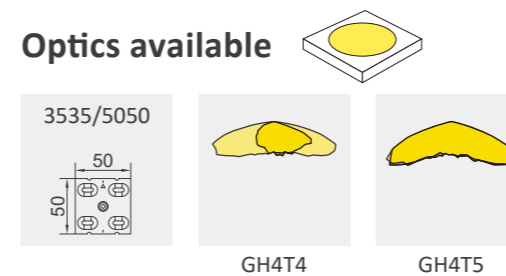


Accessories - Adapter



Spigot size 76 to 60 mm

Optics available



Chip	LED QTY	Lens QTY	Power (W)	Luminaire output flux (lm)	Luminaire efficacy (lm/W)
5050	16	4	20	2560	128
5050	16	4	30	3840	128
5050	24	6	40	5120	128
5050	24	6	50	6400	128
5050	32	8	60	7740	129
5050	32	8	70	8050	115
5050	48	12	80	9200	115
5050	48	12	90	10350	115
5050	48	12	100	11500	115

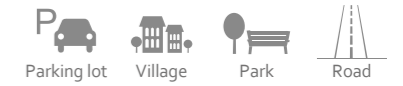
* 5050: LUMILEDS 5050; 3535: CREE XPG3; 3030: LUMILEDS 3030

Lm: This data is tested under normal working condition, the actual data will depends on environment condition, optics/diffuser and CCT.

Zafir

Patented design

V731



Details



Accessories - Adapter

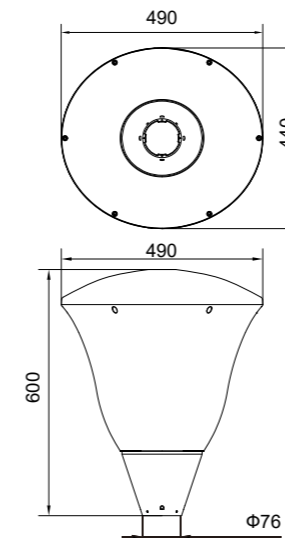
Spigot size 76 to 60 mm

Optics available



Technical information

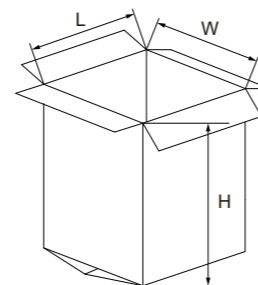
Parameter	Technical data	Parameter	Technical data
Lifetime	Up to 100,000hrs LM70, Ta 25 C	Driver isolation	Class I or Class II
Wattags	20~80W	Control dimming	DALI / 1-10V / Timing / PWM
Light efficacy	Up to 140lm/W	Operating temperature	-35°C~50°C / 10% ~ 95% (humidity)
CRI	≥ 70 or ≥ 80	Body parts material	Die cast Aluminum
Color temperature	3000K, 4000K, Amber color	Optic	PC (standard) / PMMA (option)
Operation voltage	AC 90-305V or AC 220-240V	Screen	Flat tempered glass 5mm thickness
Frequency	50 / 60Hz	Gasket	Silicone
Power factor	≥0.95 cos	Color stability	3 or 5 MacAdam steps



Chip	LED QTY	Lens QTY	Power (W)	Luminaire output flux (lm)	Luminaire efficacy (lm/W)
5050	16	4	20	2560	128
5050	16	4	30	3840	128
5050	24	6	40	5120	128
5050	24	6	50	6400	128
5050	32	8	60	7740	129
5050	32	8	80	9200	115

Packing Information

Model	Carton Size(L*W*H)	QTY/Carton	N.W.(kg)	G.W.(kg)
V731	505*455*630mm	1	8.7	11.3



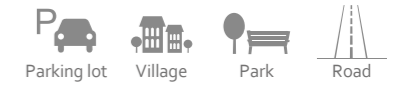
* 5050: LUMILEDS 5050; 3535: CREE XPG3; 3030: LUMILEDS 3030

Lm: This data is tested under normal working condition, the actual data will depends on environment condition, optics/diffuser and CCT.

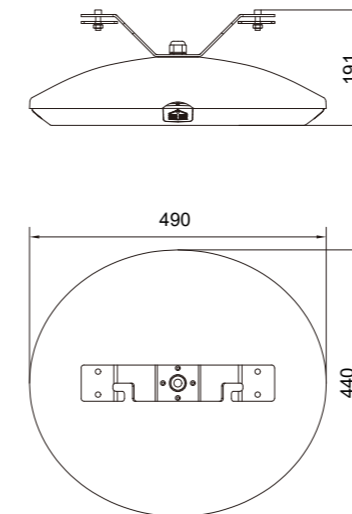
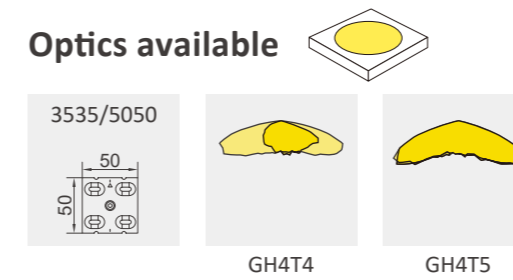
Flat H

V702

Patented design



Optics available



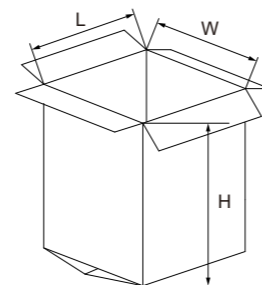
Chip	LED QTY	Lens QTY	Power (W)	Luminaire output flux (lm)	Luminaire efficacy (lm/W)
5050	16	4	20	2560	128
5050	16	4	30	3840	128
5050	24	6	40	5120	128
5050	24	6	50	6400	128
5050	32	8	60	7740	129
5050	32	8	70	8050	115
5050	48	12	80	9200	115
5050	48	12	90	10350	115
5050	48	12	100	11500	115

Technical information

Parameter	Technical data	Parameter	Technical data
Lifetime	Up to 100,000hrs LM70, Ta 25 C	Driver isolation	Class I or Class II
Wattags	20~100W	Control dimming	DALI / 1-10V / Timing / PWM
Light efficacy	Up to 140lm/W	Operating temperature	-35°C~50°C / 10% ~ 95% (humidity)
CRI	≥ 70 or ≥ 80	Body parts material	Die cast Aluminum
Color temperature	3000K, 4000K, Amber color	Optic	PC (standard) / PMMA (option)
Operation voltage	AC 90-305V or AC 220-240V	Screen	Flat tempered glass 5mm thickness
Frequency	50 / 60Hz	Gasket	Silicone
Power factor	≥0.95 cos	Color stability	3 or 5 MacAdam steps

Packing Information

Model	Carton Size(L*W*H)	QTY/Carton	N.W.(kg)	G.W.(kg)
V702	515*455*220mm	1	10.0	11.3



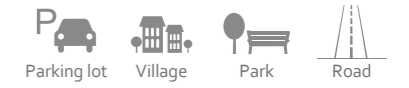
* 5050: LUMILEDS 5050; 3535: CREE XPG3; 3030: LUMILEDS 3030

Lm: This data is tested under normal working condition, the actual data will depends on environment condition, optics/diffuser and CCT.

Flat D

Patented design

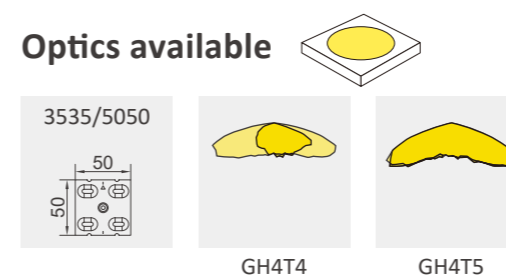
V703



Details

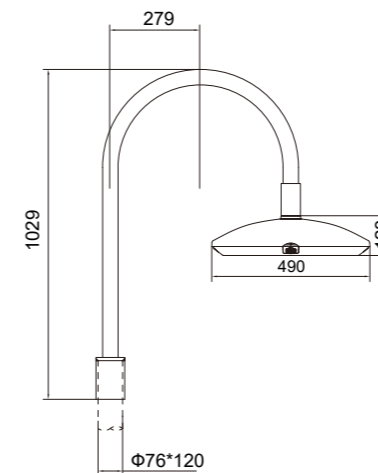


Optics available



Technical information

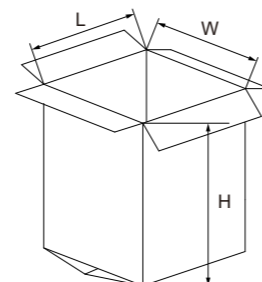
Parameter	Technical data	Parameter	Technical data
Lifetime	Up to 100,000hrs LM70, Ta 25 C	Driver isolation	Class I or Class II
Wattags	20~100W	Control dimming	DALI / 1-10V / Timing / PWM
Light efficacy	Up to 143lm/W	Operating temperature	-35°C~50°C / 10% ~ 95% (humidity)
CRI	≥ 70 or ≥ 80	Body parts material	Die cast Aluminum
Color temperature	3000K, 4000K, Amber color	Optic	PC (standard) / PMMA (option)
Operation voltage	AC 90-305V or AC 220-240V	Screen	Flat tempered glass 5mm thickness
Frequency	50 / 60Hz	Gasket	Silicone
Power factor	≥0.95 cos	Color stability	3 or 5 MacAdam steps



Chip	LED QTY	Lens QTY	Power (W)	Luminaire output flux (lm)	Luminaire efficacy (lm/W)
5050	16	4	20	2560	128
5050	16	4	30	3840	128
5050	24	6	40	5120	128
5050	24	6	50	6400	128
5050	32	8	60	7740	129
5050	32	8	70	8050	115
5050	48	12	80	9200	115
5050	48	12	90	10350	115
5050	48	12	100	11500	115

Packing Information

Model	Carton Size(L*W*H)	QTY/Carton	N.W.(kg)	G.W.(kg)
V703	505*455*140mm	1	10.0	11.3



* 5050: LUMILEDS 5050; 3535: CREE XPG3; 3030: LUMILEDS 3030

Lm: This data is tested under normal working condition, the actual data will depends on environment condition, optics/diffuser and CCT.

Garden light



Era
V350



Era B
V350B



Patented design

V350

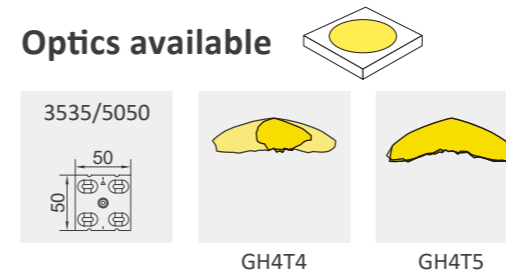


Accessories - Adapter



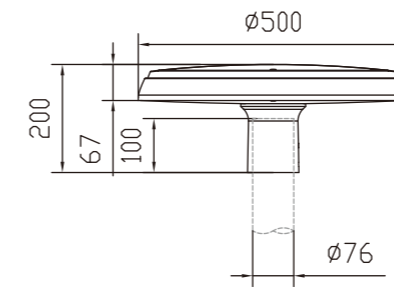
Spigot size 76 to 60 mm

Optics available



Technical information

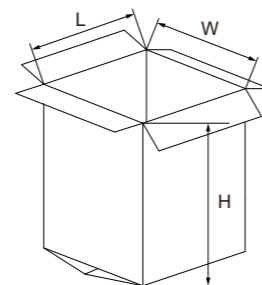
Parameter	Technical data	Parameter	Technical data
Lifetime	Up to 100,000hrs LM70, Ta 25 C	Driver isolation	Class I or Class II
Wattags	20~100W	Control dimming	DALI / 1-10V / Timing / PWM
Light efficacy	Up to 129lm/W	Operating temperature	-35°C~50°C / 10% ~ 95% (humidity)
CRI	≥ 70 or ≥ 80	Body parts material	Die cast Aluminum
Color temperature	3000K, 4000K, Amber color	Optic	PC (standard) / PMMA (option)
Operation voltage	AC 90-305V or AC 220-240V	Screen	PC (standard)
Frequency	50 / 60Hz	Gasket	Silicone
Power factor	≥0.95 cos	Color stability	3 or 5 MacAdam steps



Chip	LED QTY	Lens QTY	Power (W)	Luminaire output flux (lm)	Luminaire efficacy (lm/W)
5050	16	4	20	2560	128
5050	16	4	30	3840	128
5050	24	6	40	5120	128
5050	24	6	50	6400	128
5050	32	8	60	7740	129
5050	32	8	70	8050	115
5050	48	12	80	9200	115
5050	48	12	90	10350	115
5050	48	12	100	11500	115

Packing Information

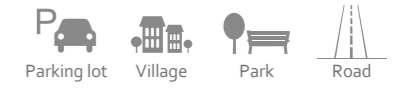
Model	Carton Size(L*W*H)	QTY/Carton	N.W.(kg)	G.W.(kg)
V350	515*515*240mm	1	6.1	7.1



* 5050: LUMILEDS 5050; 3535: CREE XPG3; 3030: LUMILEDS 3030

Lm: This data is tested under normal working condition, the actual data will depends on environment condition, optics/diffuser and CCT.

Era B



Patented design

V351

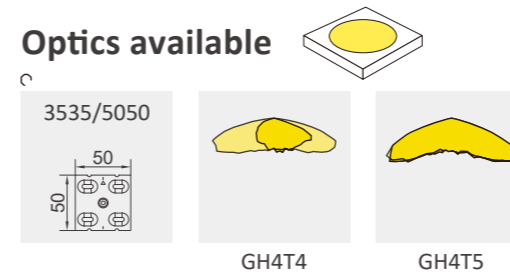


Accessories - Adapter



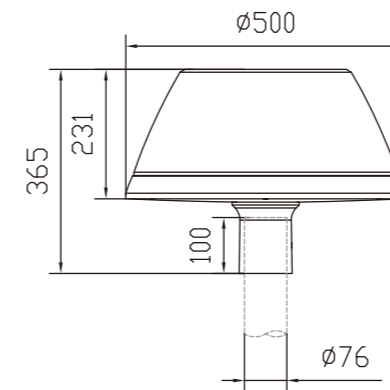
Spigot size 76 to 60 mm

Optics available



Technical information

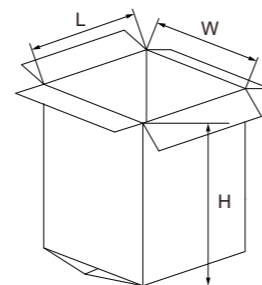
Parameter	Technical data	Parameter	Technical data
Lifetime	Up to 100,000hrs LM70, Ta 25 C	Driver isolation	Class I or Class II
Wattags	20~100W	Control dimming	DALI / 1-10V / Timing / PWM
Light efficacy	Up to 129m/W	Operating temperature	-35°C~50°C / 10% ~ 95% (humidity)
CRI	≥ 70 or ≥ 80	Body parts material	Die cast Aluminum
Color temperature	3000K, 4000K, Amber color	Optic	PC (standard) / PMMA (option)
Operation voltage	AC 90-305V or AC 220-240V	Screen	PC (standard)
Frequency	50 / 60Hz	Gasket	Silicone
Power factor	≥0.95 cos	Color stability	3 or 5 MacAdam steps



Chip	LED QTY	Lens QTY	Power (W)	Luminaire output flux (lm)	Luminaire efficacy (lm/W)
5050	16	4	20	2560	128
5050	16	4	30	3840	128
5050	24	6	40	5120	128
5050	24	6	50	6400	128
5050	32	8	60	7740	129
5050	32	8	70	8050	115
5050	48	12	80	9200	115
5050	48	12	90	10350	115
5050	48	12	100	11500	115

Packing Information

Model	Carton Size(L*W*H)	QTY/Carton	N.W.(kg)	G.W.(kg)
V351	515*515*400mm	1	8.0	9.5



Vela Series



Globo
V311



Tucan A
V410



Tucan
V411



Vela
V531



Vela PRO
V532



Vela Mini
V533

Vela Series

Unveil the elegance of Candle—beauty inter-twined with unbeatable functionality. Its diverse design ensures reliable performance and superior heat dissipation. Embrace sustainability through smart controls and illuminate your space with varied optical options, creating captivating landscapes.

Colors



MATT SILVER RAL 9006 DARK GREY RAL 7022 BLACK RAL 9005

Details



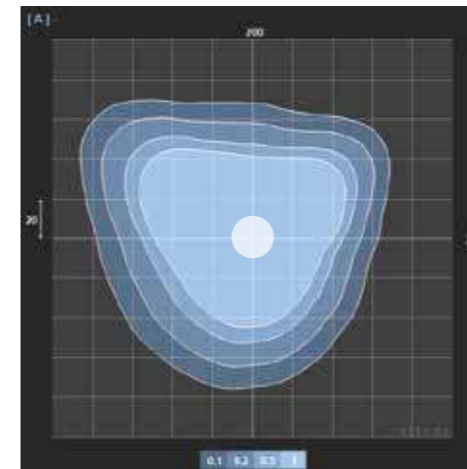
Normal version:Black



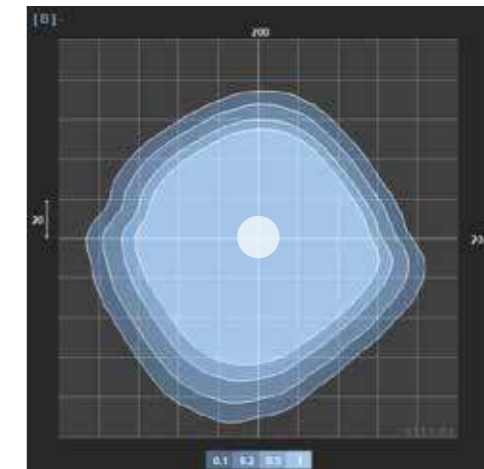
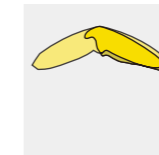
White version for RGB ring



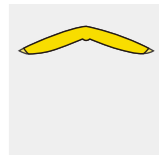
Optics available



G11C36-T2



C12C36-T5

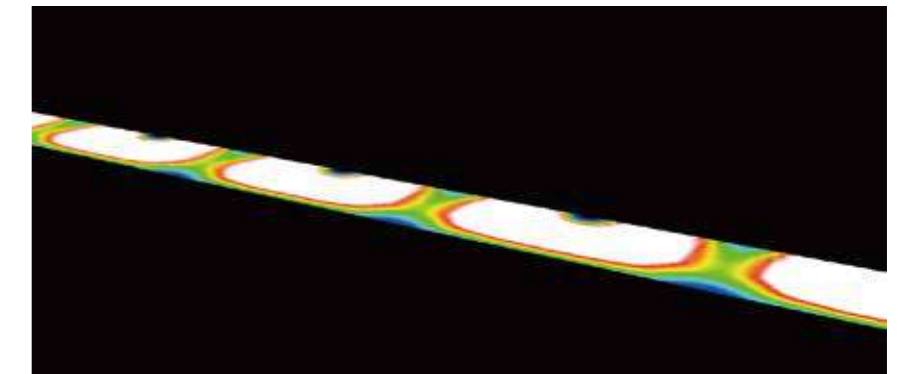


About Application

Example lighting levels

Typical result at 18m spacing, on a 7m wide path - designed to achieve CE3 lighting classes.

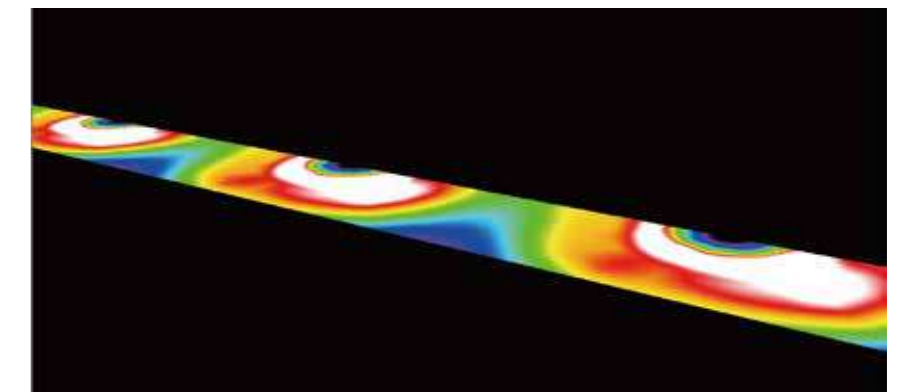
Model	
Optice	G11C36-T2
Lighting Class	CE3
Light pole height	5m
Eav	26lx
Emin	9.1lx



Example lighting levels

Typical result at 18m spacing, on a 7m wide path - designed to achieve CE3 lighting classes.

Model	
Optice	C12C36-T5
Lighting Class	CE3
Light pole height	5m
Eav	15lx
Emin	6lx



Patented design

V311

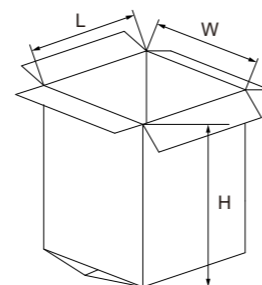


Technical information

Parameter	Technical data	Parameter	Technical data
Lifetime	Up to 100,000hrs LM70,Ta 25 C	Driver isolation	Class I or Class II
Wattags	30~50W	Control dimming	DALI / 1-10V / Timing / PWM
Light efficacy	Up to 130lm/W	Operating temperature	-35°C~50°C / 10% ~ 95% (humidity)
CRI	≥ 70 or ≥ 80	Base parts material	Die cast Aluminum
Color temperature	3000K, 4000K, Amber color	Optic	PC (standard)
Operation voltage	AC 90-305V or AC 220-240V	Ball material	PC
Frequency	50 / 60Hz	Gasket	Silicone
Power factor	≥0.95 cos	Color stability	3 or 5 MacAdam steps

Packing Information

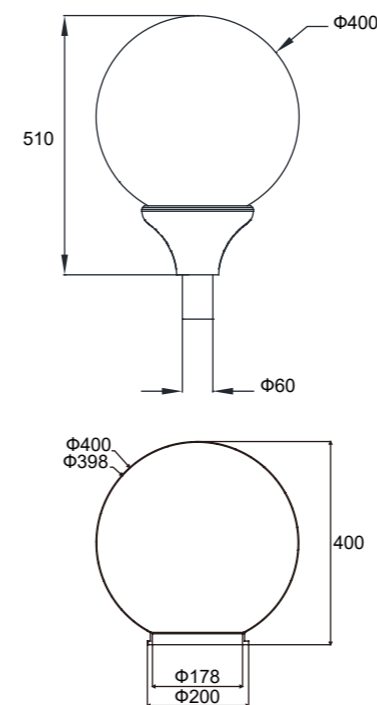
Model	Carton Size(L*W*H)	QTY/Carton	N.W.(kg)	G.W.(kg)
V311	435*435*530mm	1	4.9	6.9



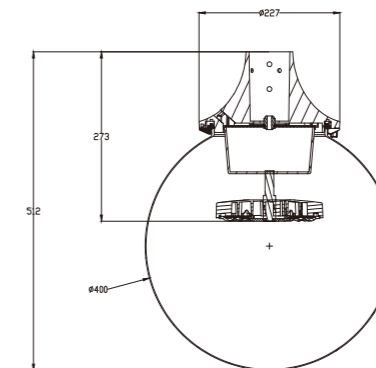
Other option



Optics available



Chip	LED QTY	Lens QTY	Power (W)	Luminaire output flux (lm)	Luminaire efficacy (lm/W)
5050	24	1	30	3900	130
5050	30	1	40	5200	130
5050	36	1	50	6500	130



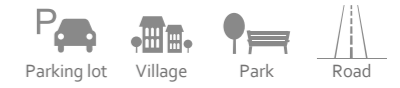
* 5050: LUMILEDS 5050; 3535: CREE XPG3; 3030: LUMILEDS 3030

Lm: This data is tested under normal working condition, the actual data will depends on environment condition, optics/diffuser and CCT.

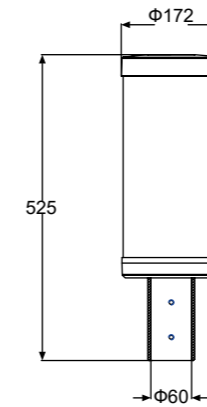
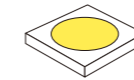
Tucan A

Patented design

V410



Optics available



Chip	LED QTY	Lens QTY	Power (W)	Luminaire output flux (lm)	Luminaire efficacy (lm/W)
5050	24	1	30	3900	130
5050	30	1	40	5200	130
5050	36	1	50	6500	130

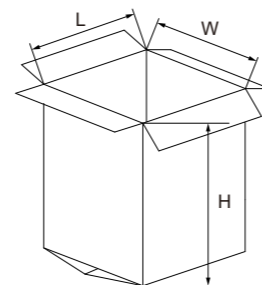


Technical information

Parameter	Technical data	Parameter	Technical data
Lifetime	Up to 100,000hrs LM70, Ta 25 C	Driver isolation	Class I or Class II
Wattags	30~50W	Control dimming	DALI / 1-10V / Timing / PWM
Light efficacy	Up to 130lm/W	Operating temperature	-35°C~50°C / 10% ~ 95% (humidity)
CRI	≥ 70 or ≥ 80	Body parts material	Die cast Aluminum
Color temperature	3000K, 4000K, Amber color	Optic	PC (standard)
Operation voltage	AC 90-305V or AC 220-240V	Screen	PC
Frequency	50 / 60Hz	Gasket	Silicone
Power factor	≥0.95 cos	Color stability	3 or 5 MacAdam steps

Packing Information

Model	Carton Size(L*W*H)	QTY/Carton	N.W.(kg)	G.W.(kg)
V410	550*200*220mm	1	3.9	5.2



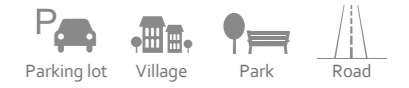
* 5050: LUMILEDS 5050; 3535: CREE XPG3; 3030: LUMILEDS 3030

Lm: This data is tested under normal working condition, the actual data will depends on environment condition, optics/diffuser and CCT.

Tucan

Patented design

V411

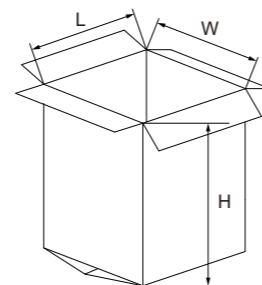


Technical information

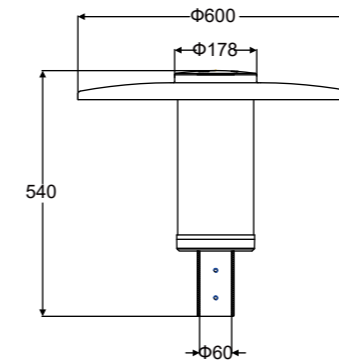
Parameter	Technical data	Parameter	Technical data
Lifetime	Up to 100,000hrs LM70,Ta 25 C	Driver isolation	Class I or Class II
Wattags	30~50W	Control dimming	DALI / 1-10V / Timing / PWM
Light efficacy	Up to 130lm/W	Operating temperature	-35°C~50°C / 10% ~ 95% (humidity)
CRI	≥ 70 or ≥ 80	Body parts material	Die cast Aluminum
Color temperature	3000K, 4000K, Amber color	Optic	PC (standard)
Operation voltage	AC 90-305V or AC 220-240V	Screen	PC
Frequency	50 / 60Hz	Gasket	Silicone
Power factor	≥0.95 cos	Color stability	3 or 5 MacAdam steps

Packing Information

Model	Carton Size(L*W*H)	QTY/Carton	N.W.(kg)	G.W.(kg)
V411	520*460*600mm	1	4.8	6.5

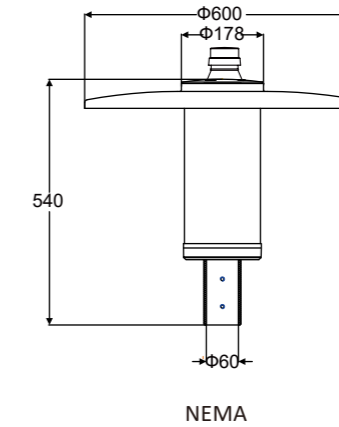
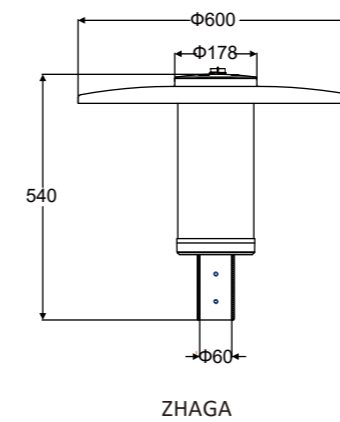


Optics available



Chip	LED QTY	Lens QTY	Power (W)	Luminaire output flux (lm)	Luminaire efficacy (lm/W)
5050	24	1	30	3900	130
5050	30	1	40	5200	130
5050	36	1	50	6500	130

Other sizes



* 5050: LUMILEDS 5050; 3535: CREE XPG3; 3030: LUMILEDS 3030

Lm: This data is tested under normal working condition, the actual data will depends on environment condition, optics/diffuser and CCT.

Vela

V531

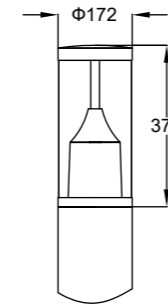
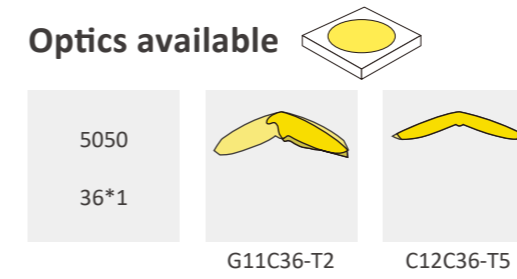
Patented design



Technical information

Parameter	Technical data	Parameter	Technical data
Lifetime	Up to 100,000hrs LM70,Ta 25 °C	Driver isolation	Class I or Class II
Wattags	30~50W	Control dimming	DALI / 1-10V / Timing / PWM
Light efficacy	Up to 130lm/W	Operating temperature	-35°C~50°C / 10% ~ 95% (humidity)
CRI	≥ 70 or ≥ 80	Body parts material	Die cast Aluminum
Color temperature	3000K, 4000K, Amber color	Optic	PC (standard)
Operation voltage	AC 90-305V or AC 220-240V	Screen	PC
Frequency	50 / 60Hz	Gasket	Silicone
Power factor	≥0.95 cos	Color stability	3 or 5 MacAdam steps

Optics available



Base

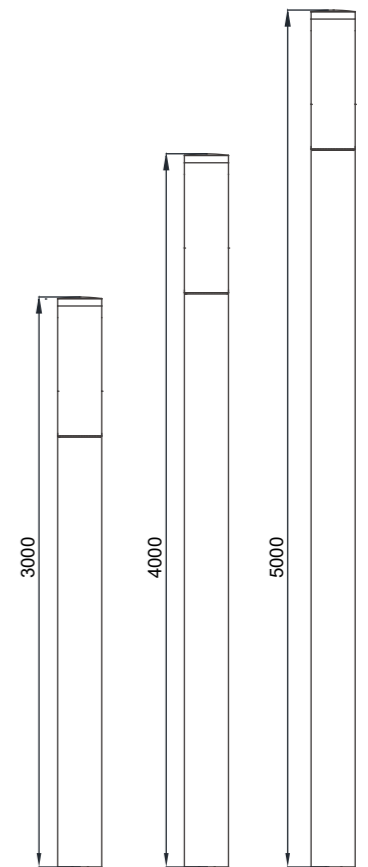
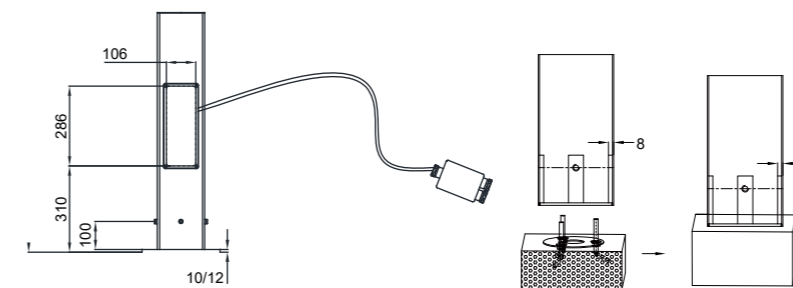
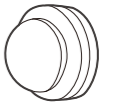


Chip	LED QTY	Lens QTY	Power (W)	Luminaire output flux (lm)	Luminaire efficacy (lm/W)
5050	24	1	30	3900	130
5050	30	1	40	5200	130
5050	36	1	50	6500	130

Standard height: 3M / 5M / 6M

Optional Accessories

PIR for Bollard
Infrared Motion Sensor



* 5050: LUMILEDS 5050; 3535: CREE XPG3; 3030: LUMILEDS 3030

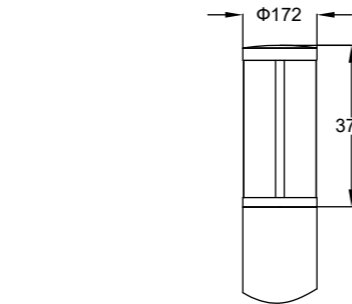
Lm: This data is tested under normal working condition, the actual data will depends on environment condition, optics/diffuser and CCT.

Vela PRO

V532



Optics available



Chip	LED QTY	Lens QTY	Power (W)	Luminaire output flux (lm)	Luminaire efficacy (lm/W)
5050	24	1	30	3900	130
5050	30	1	40	5200	130
5050	36	1	50	6500	130

Standard height: 3M / 5M / 6M

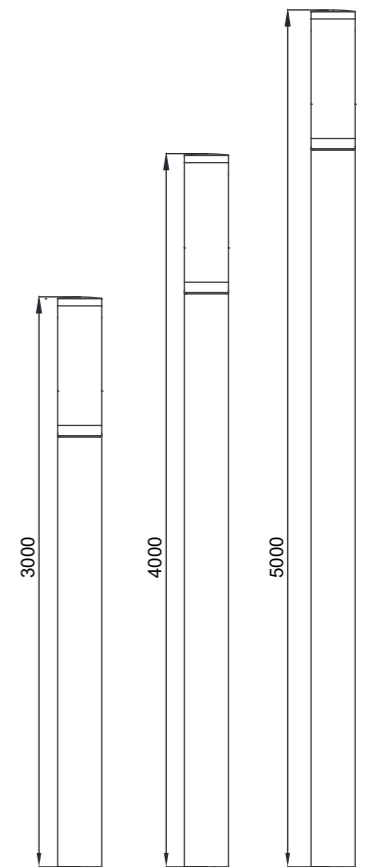
Base



Optional Accessories

Light bar for Bollard

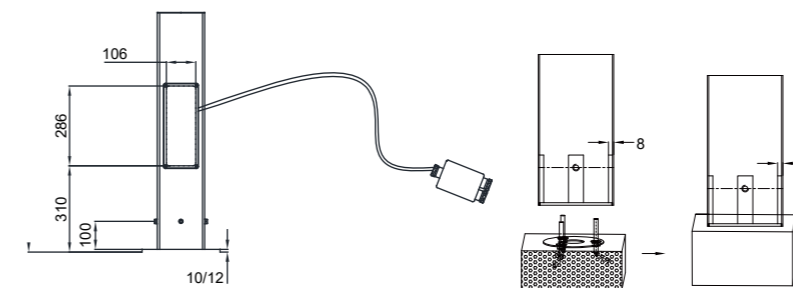
Color:RGBW



CE CB IP65 IK08

Technical information

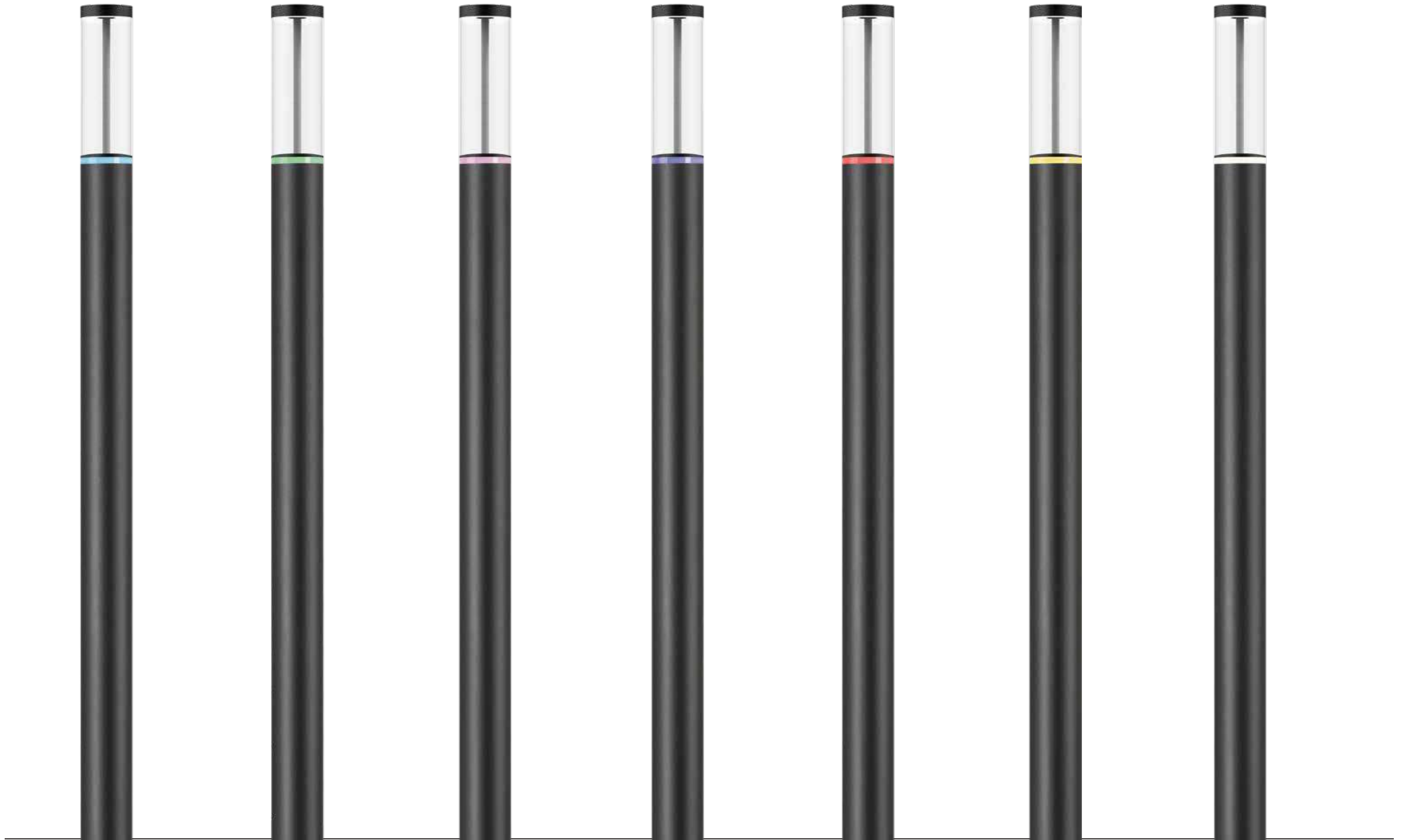
Parameter	Technical data	Parameter	Technical data
Lifetime	Up to 100,000hrs LM70,Ta 25 °C	Driver isolation	Class I or Class II
Wattags	30~50W	Control dimming	DALI / 1-10V / Timing / PWM
Light efficacy	Up to 130lm/W	Operating temperature	-35°C~50°C / 10% ~ 95% (humidity)
CRI	≥ 70 or ≥ 80	Body parts material	Die cast Aluminum
Color temperature	3000K, 4000K, Amber color	Optic	PC (standard)
Operation voltage	AC 90-305V or AC 220-240V	Screen	PC
Frequency	50 / 60Hz	Gasket	Silicone
Power factor	≥0.95 cos	Color stability	3 or 5 MacAdam steps



* 5050: LUMILEDS 5050; 3535: CREE XPG3; 3030: LUMILEDS 3030

Lm: This data is tested under normal working condition, the actual data will depends on environment condition, optics/diffuser and CCT.

Vela color



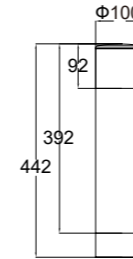
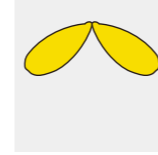
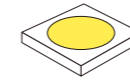
Vela Mini

NEW

V533



Optics available



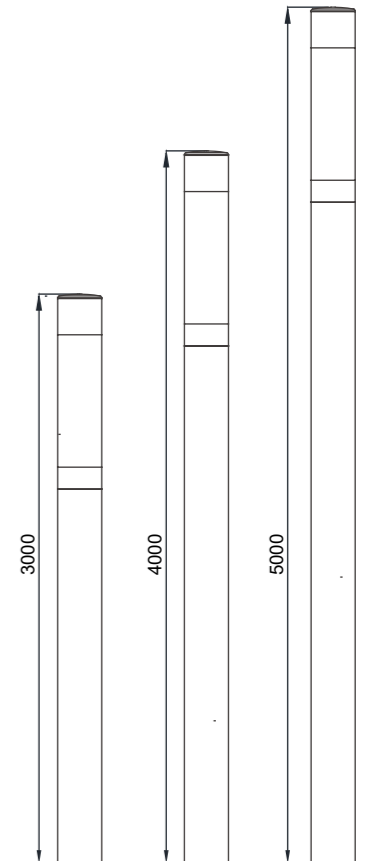
Chip	LED QTY	Lens QTY	Power (W)	Luminaire output flux (lm)	Luminaire efficacy (lm/W)
5050	20	1	30	3300	110
5050	24	1	40	4400	110
5050	28	1	50	5500	110

Standard height: 3M / 5M / 6M

CE CB

Technical information

Parameter	Technical data	Parameter	Technical data
Lifetime	Up to 100,000hrs LM70,Ta 25 °C	Driver isolation	Class I or Class II
Wattags	30~50W	Control dimming	DALI / 1-10V
Light efficacy	Up to 110lm/W	Operating temperature	-35°C~50°C / 10% ~ 95% (humidity)
CRI	≥ 70 or ≥ 80	Body parts material	Die cast Aluminum
Color temperature	3000K, 4000K, Amber color	Optic	PC (standard)
Operation voltage	AC 90-305V or AC 220-240V	Screen	PC
Frequency	50 / 60Hz	Gasket	Silicone
Power factor	≥0.95 cos	Color stability	3 or 5 MacAdam steps



* 5050: LUMILEDS 5050; 3535: CREE XPG3; 3030: LUMILEDS 3030

Lm: This data is tested under normal working condition, the actual data will depends on environment condition, optics/diffuser and CCT.

Garden light



LIN
V541



LIN
V541-M



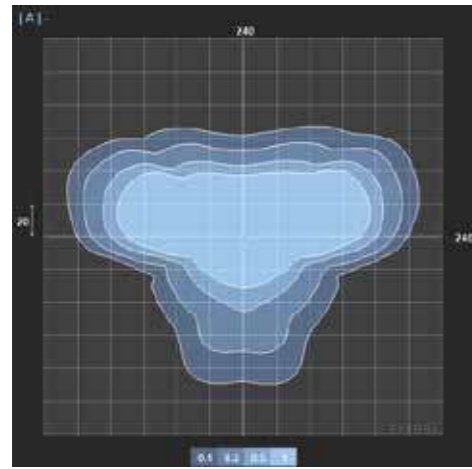
LIN A
V240A



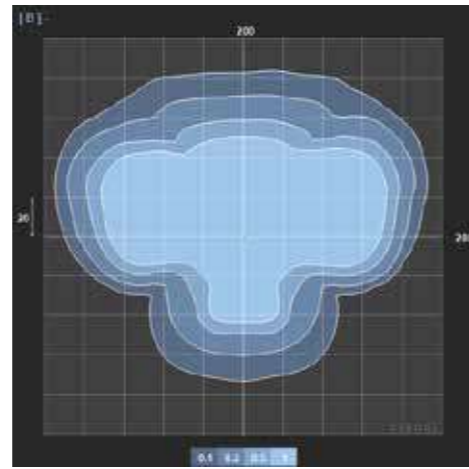
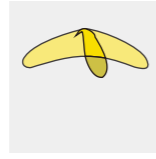
LIN B
V241B

Lin Series

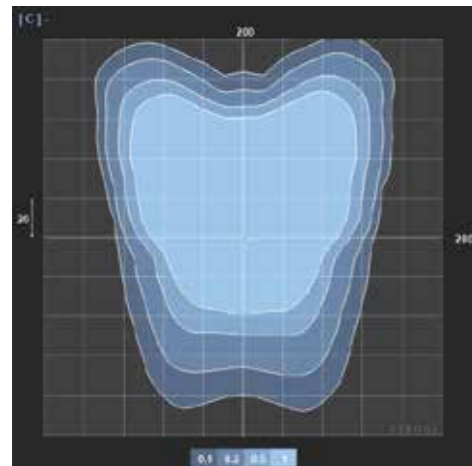
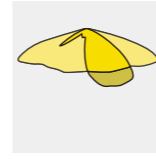
Optics available



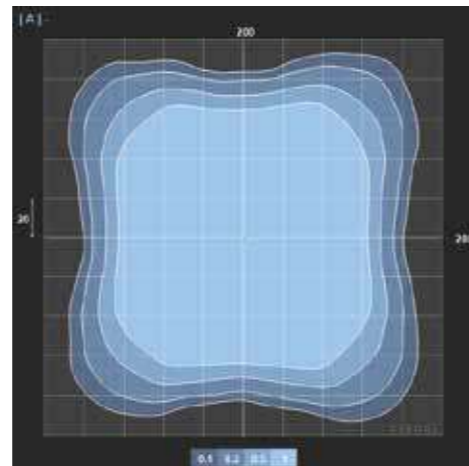
SL4T2



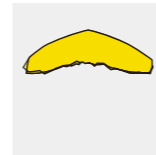
SL4T3



SL4T4



GH4T5

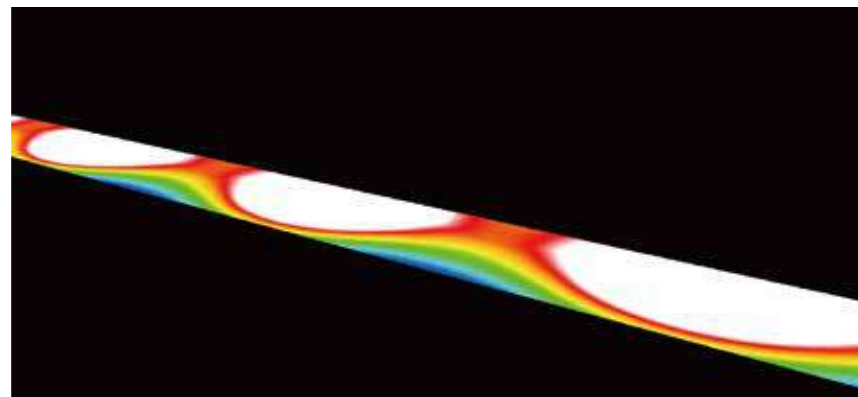


About Application

Example lighting levels

Typical result at 20m spacing, on a 7m wide path - designed to achieve CE3 lighting classes.

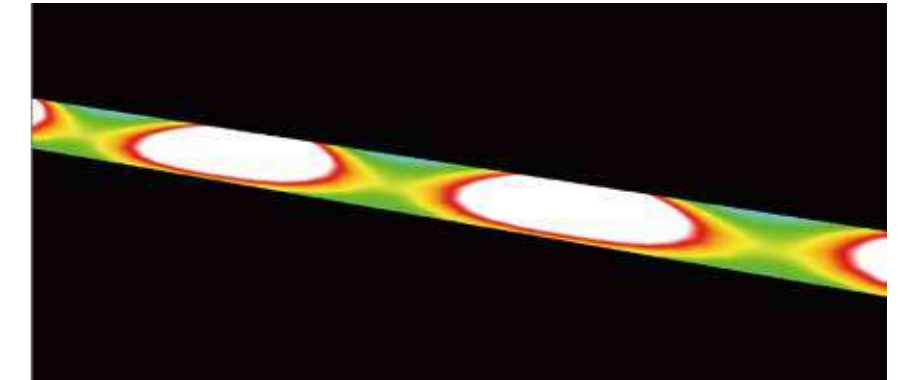
Optice	SL4T2
Lighting Class	CE3
Light pole height	6m
Eav	24lx
Emin	8.95lx



Example lighting levels

Typical result at 25m spacing, on a 7m wide path - designed to achieve CE3 lighting classes.

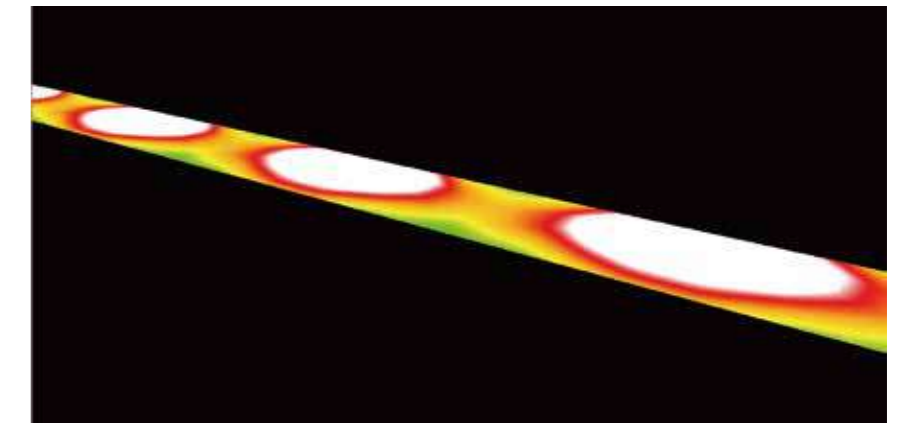
Optice	SL4T3
Lighting Class	CE3
Light pole height	6m
Eav	22lx
Emin	10lx



Example lighting levels

Typical result at 20m spacing, on a 7m wide path - designed to achieve CE3 lighting classes.

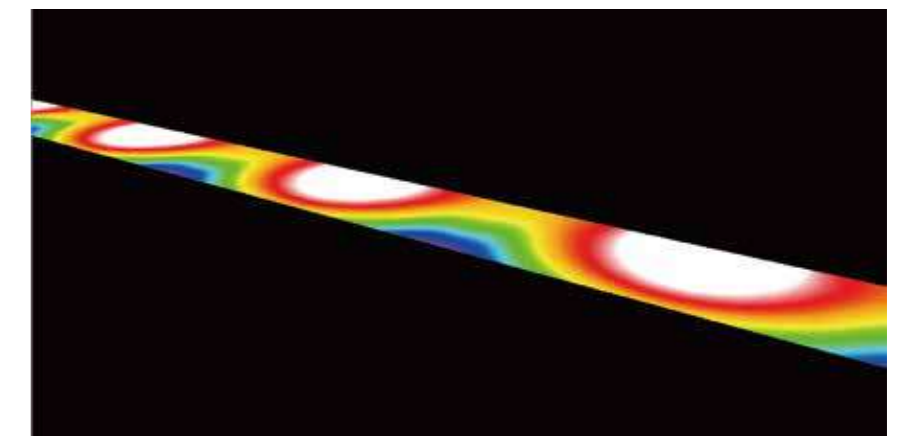
Optice	SL4T4
Lighting Class	CE3
Light pole height	6m
Eav	20lx
Emin	13lx



Example lighting levels

Typical result at 20m spacing, on a 7m wide path - designed to achieve CE3 lighting classes.

Optice	GH4T5
Lighting Class	CE3
Light pole height	6m
Eav	17lx
Emin	6.81lx



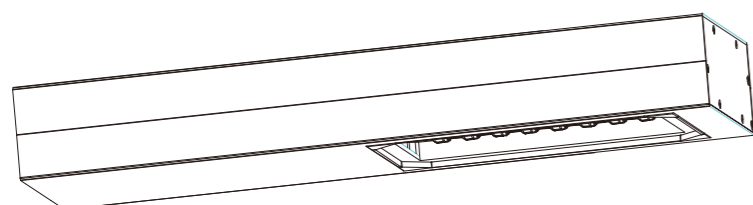
Patented design

V541



Technical information

Parameter	Technical data	Parameter	Technical data
Lifetime	Up to 100,000hrs LM70,Ta 25 C	Driver isolation	Class I or Class II
Wattags	20~80W	Control dimming	DALI / 1-10V / Timing / PWM
Light efficacy	Up to 147lm/W	Operating temperature	-35°C~50°C / 10% ~ 95% (humidity)
CRI	≥ 70 or ≥ 80	Body parts material	Die cast Aluminum + Extrusion Aluminum
Color temperature	3000K, 4000K, Amber color	Optic	PC (standard) / PMMA (option)
Operation voltage	AC 90-305V or AC 220-240V	Screen	Tempered glass
Frequency	50 / 60Hz	Gasket	Silicone
Power factor	≥0.95 cos	Color stability	3 or 5 MacAdam steps

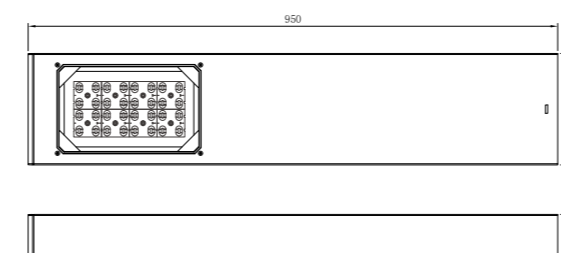
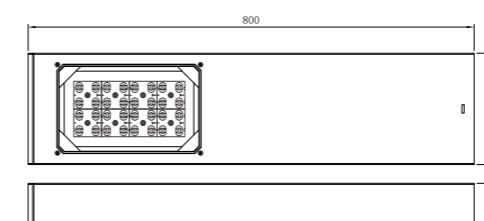
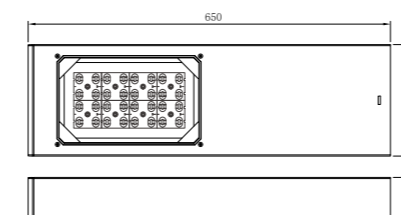
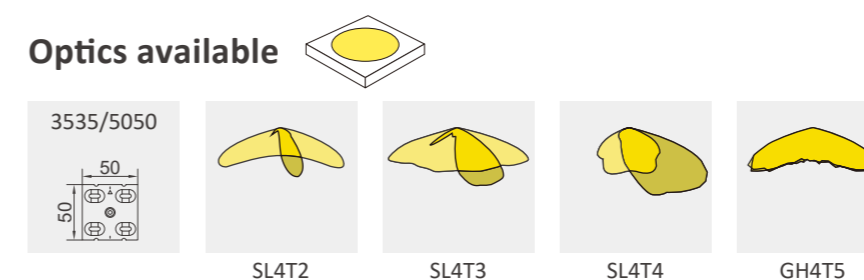


Details



V541 M

Optics available

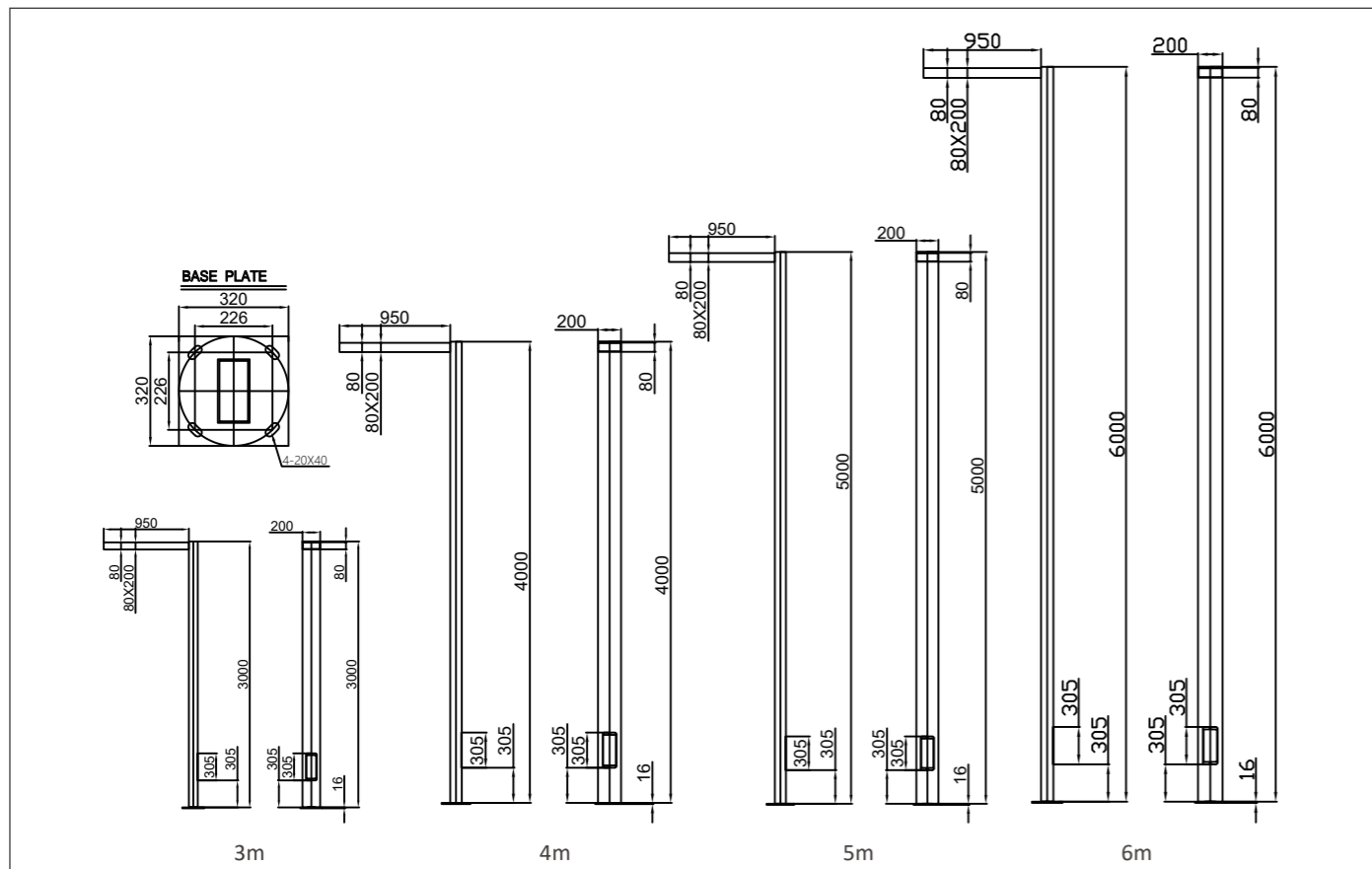
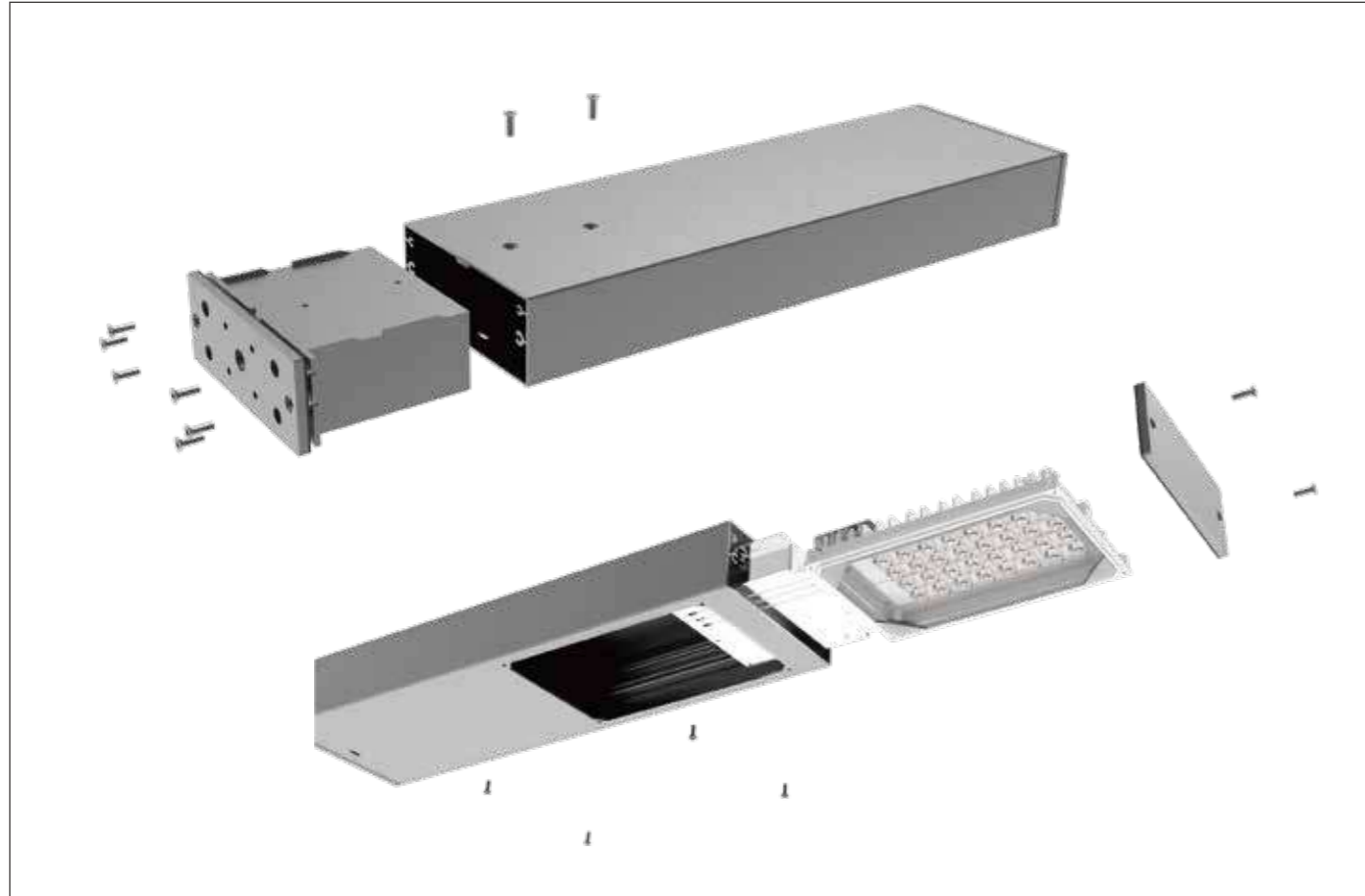


Chip	LED QTY	Lens QTY	Power (W)	Luminaire output flux (lm)	Luminaire efficacy (lm/W)
5050	16	4	20	2940	147
5050	16	4	40	5640	141
5050	32	8	60	8460	141
5050	32	8	80	11200	140

* 5050: LUMILEDS 5050; 3535: CREE XPG3; 3030: LUMILEDS 3030

Lm: This data is tested under normal working condition, the actual data will depends on environment condition, optics/diffuser and CCT.

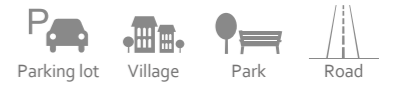
LIN



LIN A

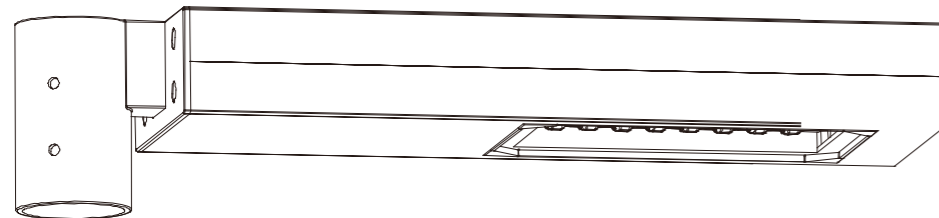
V240A

Patented design



Technical information

Parameter	Technical data	Parameter	Technical data
Lifetime	Up to 100,000hrs LM70,Ta 25 C	Driver isolation	Class I or Class II
Wattags	20~80W	Control dimming	DALI / 1-10V / Timing / PWM
Light efficacy	Up to 147lm/W	Operating temperature	-35°C~50°C / 10% ~ 95% (humidity)
CRI	≥ 70 or ≥ 80	Body parts material	Die cast Aluminum + Extrusion Aluminum
Color temperature	3000K, 4000K, Amber color	Optic	PC (standard) / PMMA (option)
Operation voltage	AC 90-305V or AC 220-240V	Screen	Tempered glass
Frequency	50 / 60Hz	Gasket	Silicone
Power factor	≥0.95 cos	Color stability	3 or 5 MacAdam steps

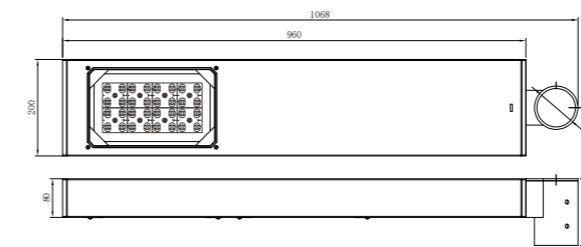
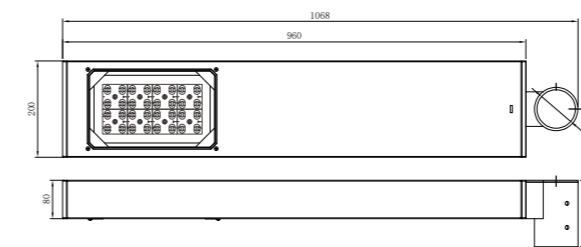
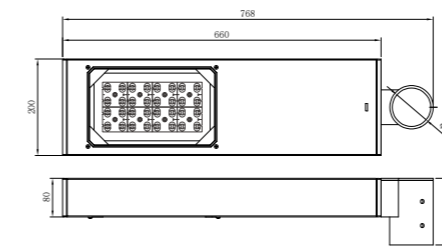
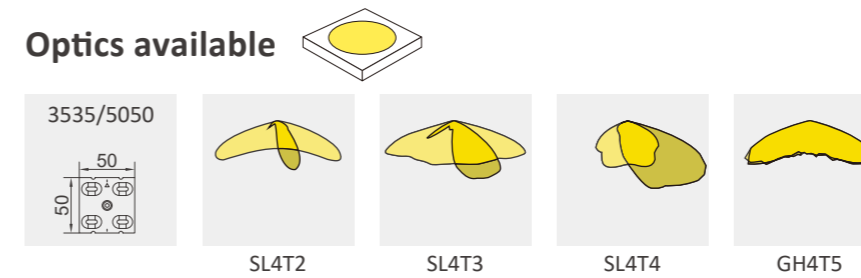


Details



V240A M

Optics available



Chip	LED QTY	Lens QTY	Power (W)	Luminaire output flux (lm)	Luminaire efficacy (lm/W)
5050	16	4	20	2940	147
5050	16	4	40	5640	141
5050	32	8	60	8460	141
5050	32	8	80	11200	140

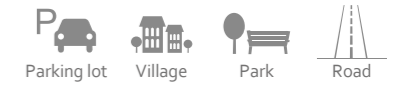
* 5050: LUMILEDS 5050; 3535: CREE XPG3; 3030: LUMILEDS 3030

Lm: This data is tested under normal working condition, the actual data will depends on environment condition, optics/diffuser and CCT.

LIN B

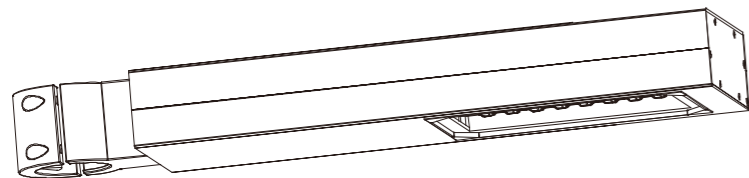
Patented design

V241B



Technical information

Parameter	Technical data	Parameter	Technical data
Lifetime	Up to 100,000hrs LM70,Ta 25 C	Driver isolation	Class I or Class II
Wattags	20~80W	Control dimming	DALI / 1-10V / Timing / PWM
Light efficacy	Up to 147lm/W	Operating temperature	-35°C~50°C / 10% ~ 95% (humidity)
CRI	≥ 70 or ≥ 80	Body parts material	Die cast Aluminum + Extrusion Aluminum
Color temperature	3000K, 4000K, Amber color	Optic	PC (standard) / PMMA (option)
Operation voltage	AC 90-305V or AC 220-240V	Screen	Tempered glass
Frequency	50 / 60Hz	Gasket	Silicone
Power factor	≥0.95 cos	Color stability	3 or 5 MacAdam steps

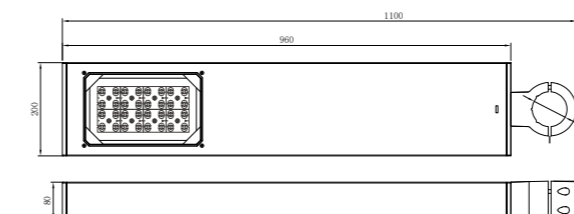
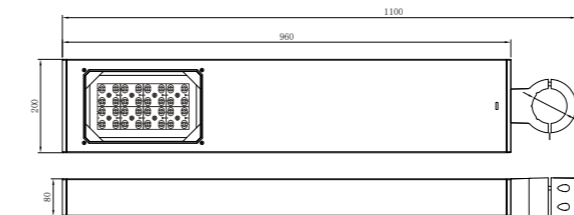
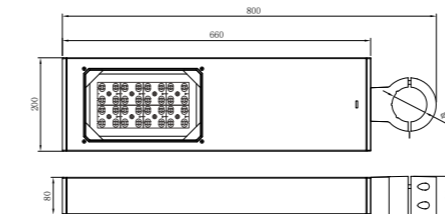
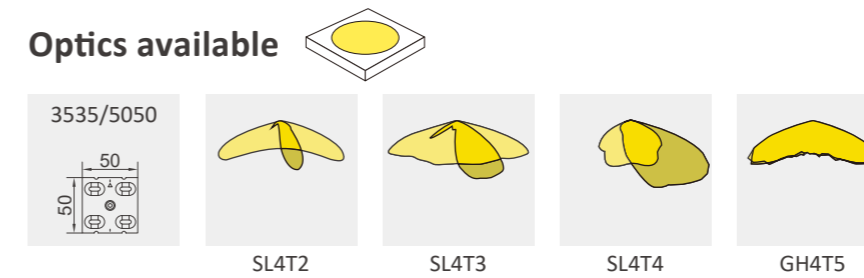


Details



V241BM

Optics available



Chip	LED QTY	Lens QTY	Power (W)	Luminaire output flux (lm)	Luminaire efficacy (lm/W)
5050	16	4	20	2940	147
5050	16	4	40	5640	141
5050	32	8	60	8460	141
5050	32	8	80	11200	140

* 5050: LUMILEDS 5050; 3535: CREE XPG3; 3030: LUMILEDS 3030

Lm: This data is tested under normal working condition, the actual data will depends on environment condition, optics/diffuser and CCT.

LIN B

The lamp body adopts high-strength aluminum die-casting integrated molding

High reliability, with 1-10v/DALI and time control function

Voltage: AC 90-305V or AC 220-240V 50/60Hz

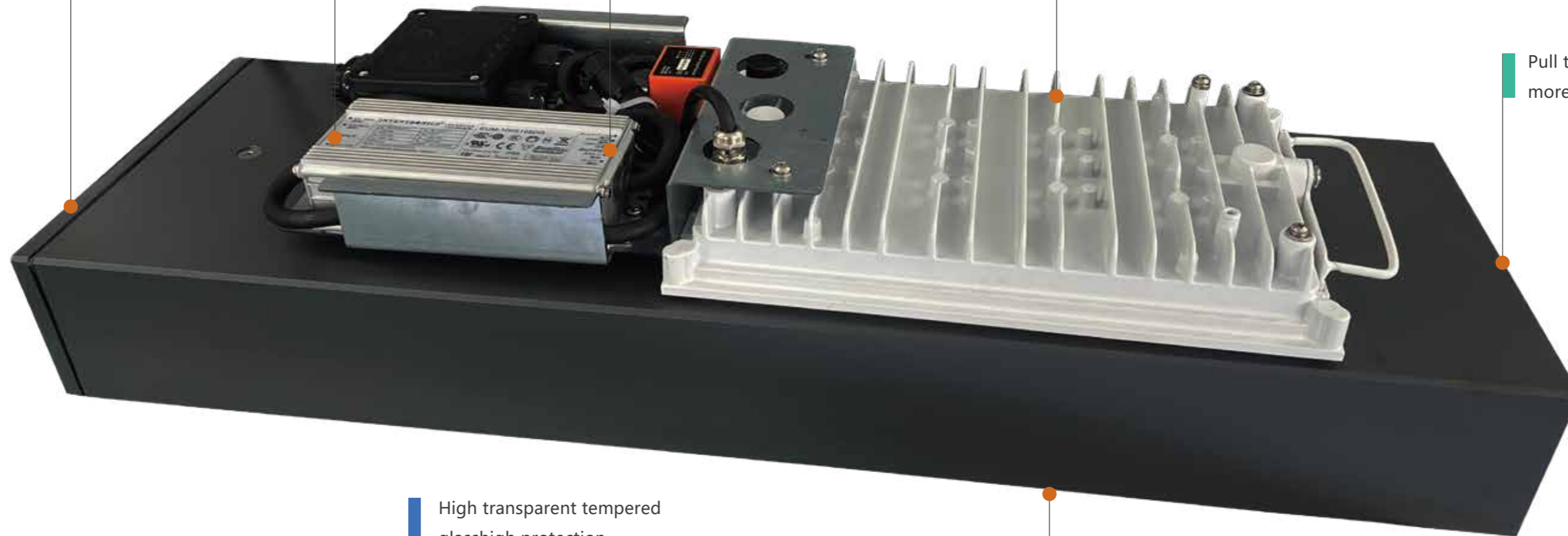
Optical unit: Solid state optical system made with TRIO modules Colour Temperature 4000K, (3000K Optional) IES Type II, III, IV

Design concept

From the very beginning, it was our goal to use intelligent solutions to create an exceptional experience in visual perception. This is why we have been collaborating with renowned designers. With its elegant combination of flowing lines, gently sweeping curves and the sleek body, it lends this street a particularly refined character.

Pull type installation more convenient

High transparent tempered glass high protection, easy to clean



Villa PRO series



Villa PRO
V811



Villa PRO A
V812

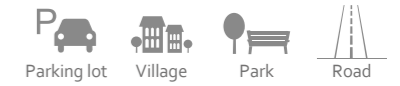


Villa PRO B
V813



Villa PRO C
V814

Villa PRO



Patented design

V811

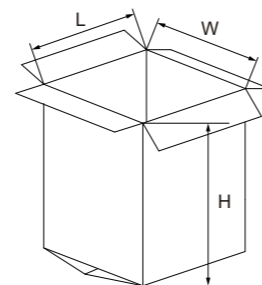


Technical information

Parameter	Technical data	Parameter	Technical data
Lifetime	Up to 100,000hrs LM70, Ta 25 C	Driver isolation	Class I or Class II
Wattags	20~100W	Control dimming	DALI / 1-10V / Timing / PWM
Light efficacy	Up to 105lm/W	Operating temperature	-35°C~50°C / 10% ~ 95% (humidity)
CRI	≥ 70 or ≥ 80	Body parts material	Die cast Aluminum
Color temperature	3000K, 4000K, Amber color	Optic	PC (standard) / PMMA (option)
Operation voltage	AC 90-305V or AC 220-240V	Screen	Flat tempered glass 5mm thickness
Frequency	50 / 60Hz	Gasket	Silicone
Power factor	≥0.95 cos	Color stability	3 or 5 MacAdam steps

Packing Information

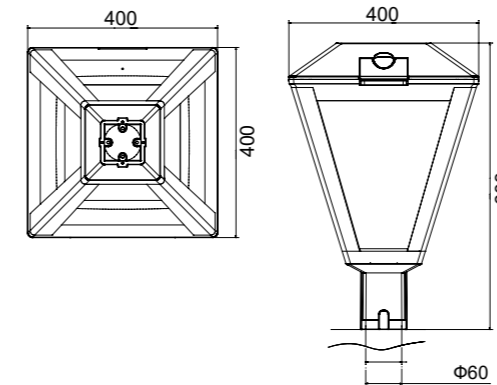
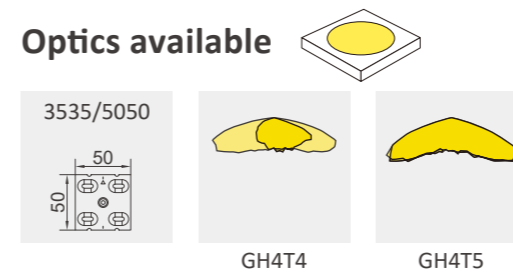
Model	Carton Size(L*W*H)	QTY/Carton	N.W.(kg)	G.W.(kg)
V811	410*410*635mm	1	10.7	11.3



Details



Optics available



Chip	LED QTY	Lens QTY	Power (W)	Luminaire output flux (lm)	Luminaire efficacy (lm/W)
5050	16	4	20	2560	128
5050	16	4	30	3840	128
5050	24	6	40	5120	128
5050	24	6	50	6400	128
5050	32	8	60	7740	129
5050	32	8	70	8050	115
5050	48	12	80	9200	115
5050	48	12	90	10350	115
5050	48	12	100	11500	115

* 5050: LUMILEDS 5050; 3535: CREE XPG3; 3030: LUMILEDS 3030

Lm: This data is tested under normal working condition, the actual data will depends on environment condition, optics/diffuser and CCT.

Villa PRO A



Patented design

V812

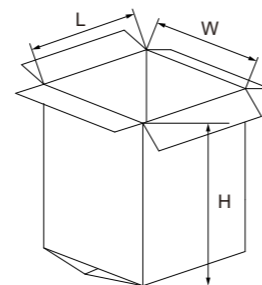


Technical information

Parameter	Technical data	Parameter	Technical data
Lifetime	Up to 100,000hrs LM70, Ta 25 C	Driver isolation	Class I or Class II
Wattags	20~100W	Control dimming	DALI / 1-10V / Timing / PWM
Light efficacy	Up to 121lm/W	Operating temperature	-35°C~50°C / 10% ~ 95% (humidity)
CRI	≥ 70 or ≥ 80	Body parts material	Die cast Aluminum
Color temperature	3000K, 4000K, Amber color	Optic	PC (standard) / PMMA (option)
Operation voltage	AC 90-305V or AC 220-240V	Screen	Flat tempered glass 5mm thickness
Frequency	50 / 60Hz	Gasket	Silicone
Power factor	≥0.95 cos	Color stability	3 or 5 MacAdam steps

Packing Information

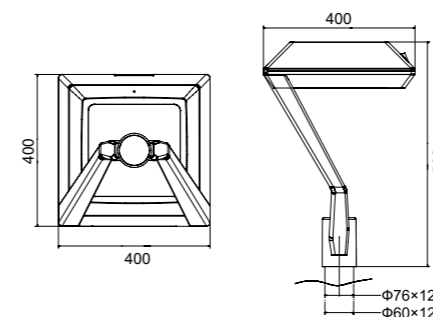
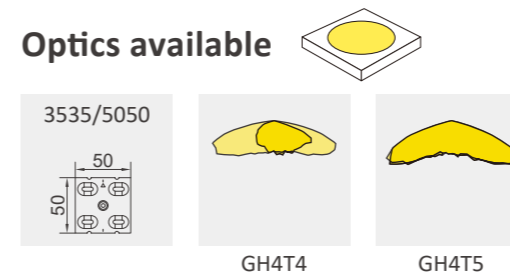
Model	Carton Size(L*W*H)	QTY/Carton	N.W.(kg)	G.W.(kg)
V812	410*410*610mm	1	12.2	12.6



Details



Optics available



Chip	LED QTY	Lens QTY	Power (W)	Luminaire output flux (lm)	Luminaire efficacy (lm/W)
5050	16	4	20	2560	128
5050	16	4	30	3840	128
5050	24	6	40	5120	128
5050	24	6	50	6400	128
5050	32	8	60	7740	129
5050	32	8	70	8050	115
5050	48	12	80	9200	115
5050	48	12	90	10350	115
5050	48	12	100	11500	115

* 5050: LUMILEDS 5050; 3535: CREE XPG3; 3030: LUMILEDS 3030

Lm: This data is tested under normal working condition, the actual data will depends on environment condition, optics/diffuser and CCT.

Villa PRO B



Patented design

V813

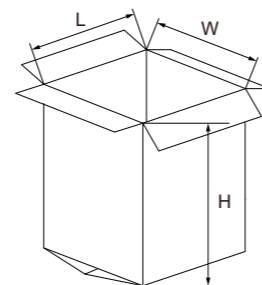


Technical information

Parameter	Technical data	Parameter	Technical data
Lifetime	Up to 100,000hrs LM70, Ta 25 C	Driver isolation	Class I or Class II
Wattags	20~100W	Control dimming	DALI / 1-10V / Timing / PWM
Light efficacy	Up to 140lm/W	Operating temperature	-35°C~50°C / 10% ~ 95% (humidity)
CRI	≥ 70 or ≥ 80	Body parts material	Die cast Aluminum
Color temperature	3000K, 4000K, Amber color	Optic	PC (standard) / PMMA (option)
Operation voltage	AC 90-305V or AC 220-240V	Screen	Flat tempered glass 5mm thickness
Frequency	50 / 60Hz	Gasket	Silicone
Power factor	≥0.95 cos	Color stability	3 or 5 MacAdam steps

Packing Information

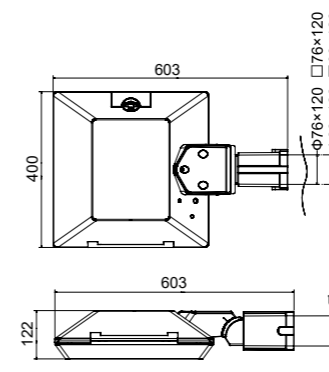
Model	Carton Size(L*W*H)	QTY/Carton	N.W.(kg)	G.W.(kg)
V813	610*410*155mm	1	10.5	11.3



Details



Optics available



Chip	LED QTY	Lens QTY	Power (W)	Luminaire output flux (lm)	Luminaire efficacy (lm/W)
5050	16	4	20	2560	128
5050	16	4	30	3840	128
5050	24	6	40	5120	128
5050	24	6	50	6400	128
5050	32	8	60	7740	129
5050	32	8	70	8050	115
5050	48	12	80	9200	115
5050	48	12	90	10350	115
5050	48	12	100	11500	115

* 5050: LUMILEDS 5050; 3535: CREE XPG3; 3030: LUMILEDS 3030

Lm: This data is tested under normal working condition, the actual data will depends on environment condition, optics/diffuser and CCT.

Villa PRO C



Patented design

V814

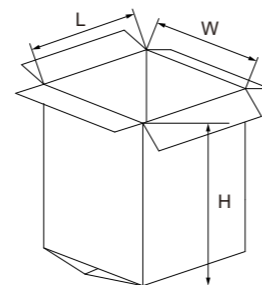


Technical information

Parameter	Technical data	Parameter	Technical data
Lifetime	Up to 100,000hrs LM70, Ta 25 C	Driver isolation	Class I or Class II
Wattags	20~100W	Control dimming	DALI / 1-10V / Timing / PWM
Light efficacy	Up to 140lm/W	Operating temperature	-35°C~50°C / 10% ~ 95% (humidity)
CRI	≥ 70 or ≥ 80	Body parts material	Die cast Aluminum
Color temperature	3000K, 4000K, Amber color	Optic	PC (standard) / PMMA (option)
Operation voltage	AC 90-305V or AC 220-240V	Screen	Flat tempered glass 5mm thickness
Frequency	50 / 60Hz	Gasket	Silicone
Power factor	≥0.95 cos	Color stability	3 or 5 MacAdam steps

Packing Information

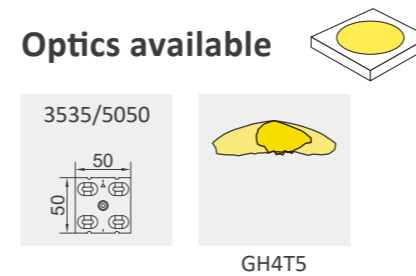
Model	Carton Size(L*W*H)	QTY/Carton	N.W.(kg)	G.W.(kg)
V814	415*415*265mm	1	9.0	11.3



Details



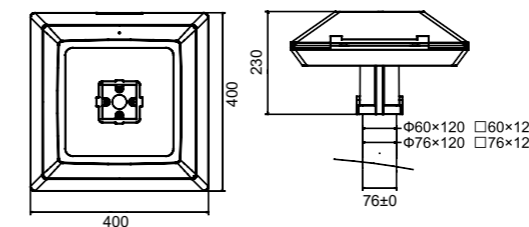
Optics available



3535/5050



GH4T5

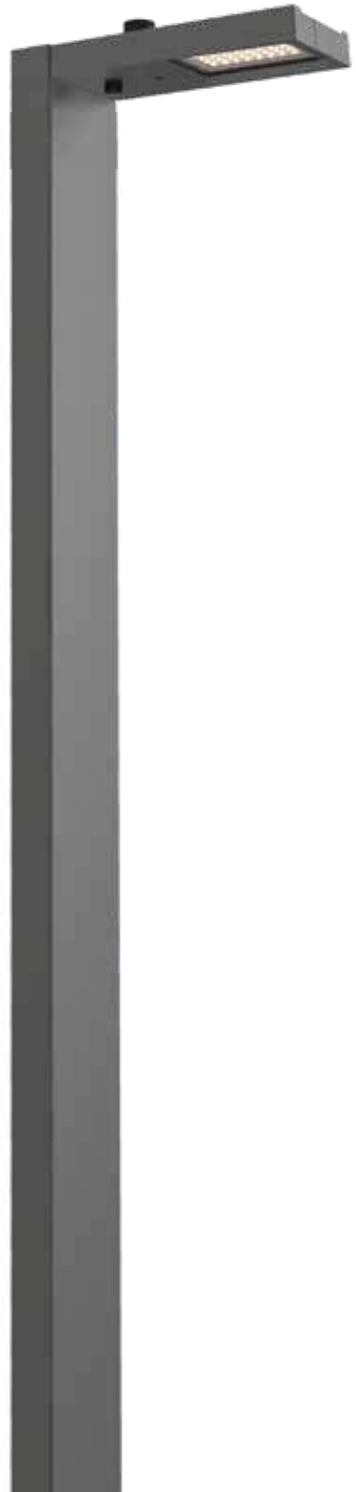


Chip	LED QTY	Lens QTY	Power (W)	Luminaire output flux (lm)	Luminaire efficacy (lm/W)
5050	16	4	20	2560	128
5050	16	4	30	3840	128
5050	24	6	40	5120	128
5050	24	6	50	6400	128
5050	32	8	60	7740	129
5050	32	8	70	8050	115
5050	48	12	80	9200	115
5050	48	12	90	10350	115
5050	48	12	100	11500	115

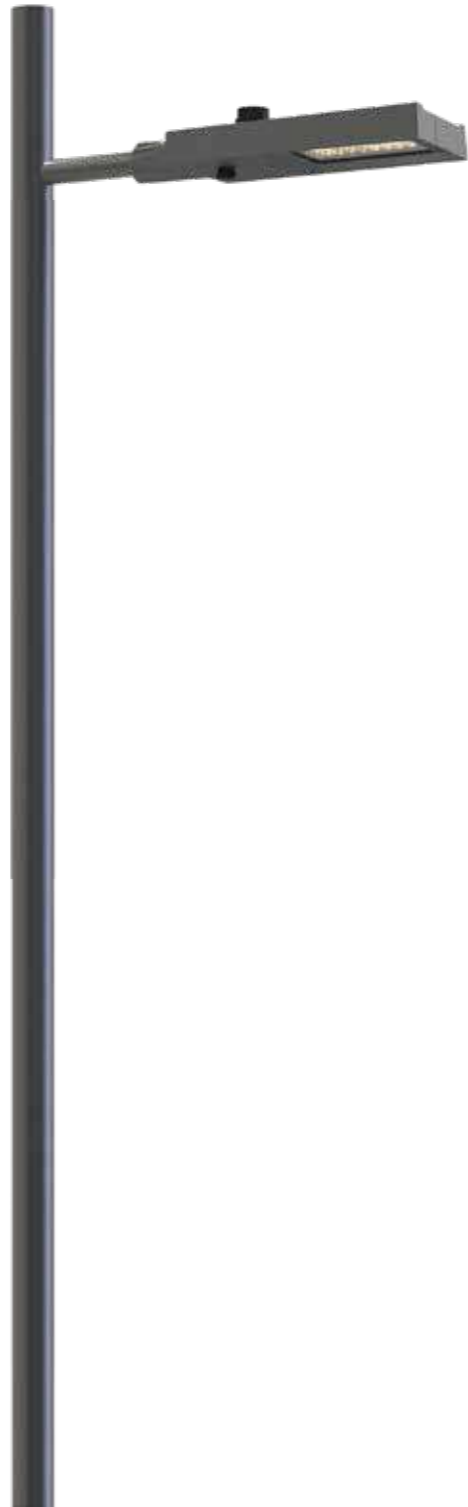
* 5050: LUMILEDS 5050; 3535: CREE XPG3; 3030: LUMILEDS 3030

Lm: This data is tested under normal working condition, the actual data will depends on environment condition, optics/diffuser and CCT.

Garden light



Mita B
V250B



Mita C
V250C



Mita B NEW



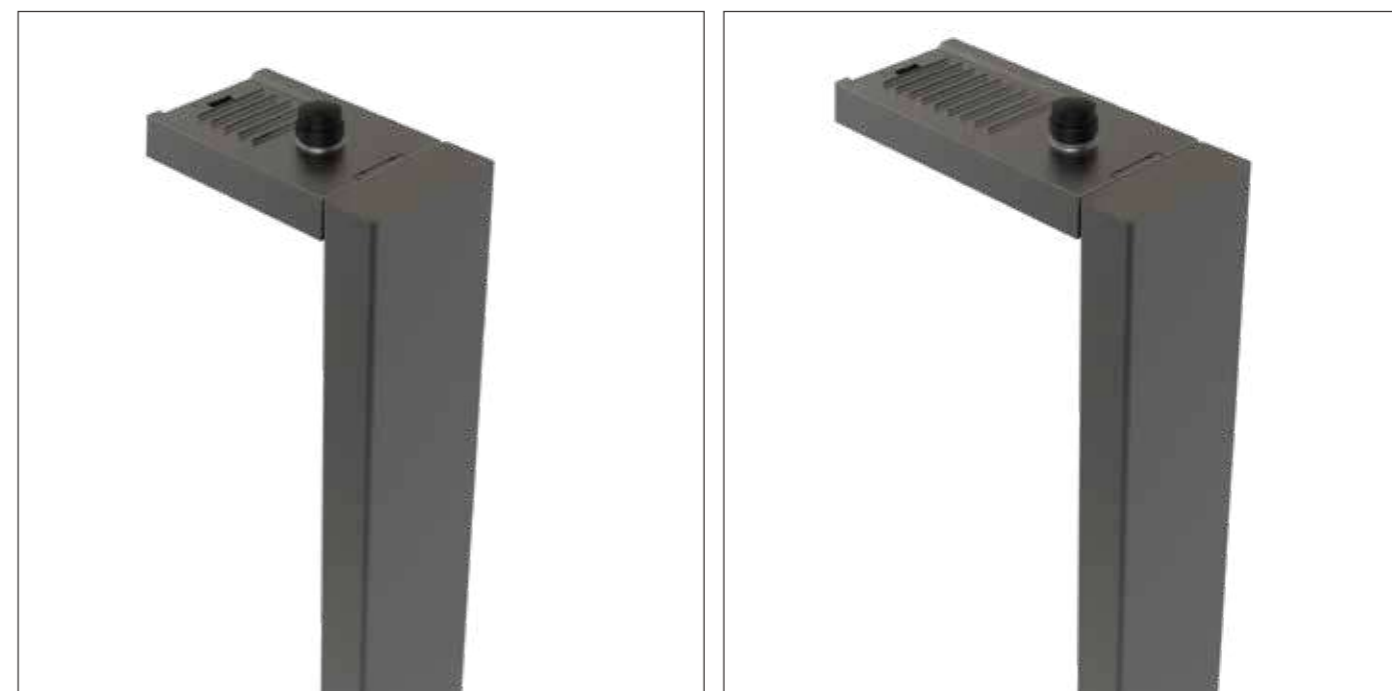
Patented design

V250B



CE CB

Details

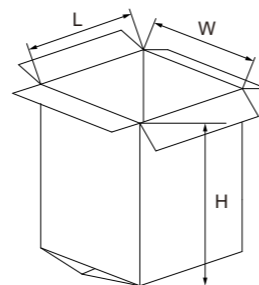


Technical information

Parameter	Technical data	Parameter	Technical data
Lifetime	Up to 100,000hrs LM70,Ta 25 C	Driver isolation	Class I or Class II
Wattags	20~100W	Control dimming	DALI / 1-10V / Timing / PWM
Light efficacy	Up to 135lm/W	Operating temperature	-35°C~50°C / 10% ~ 95% (humidity)
CRI	≥ 70 or ≥ 80	Body parts material	Die cast Aluminum
Color temperature	3000K, 4000K, Amber color	Optic	PC (standard) / PMMA (option)
Operation voltage	AC 90-305V or AC 220-240V	Screen	Flat tempered glass 5mm thickness
Frequency	50 / 60Hz	Gasket	Silicone
Power factor	≥0.95 cos	Color stability	3 or 5 MacAdam steps

Packing Information

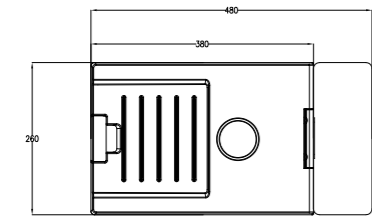
Model	Carton Size(L*W*H)	QTY/Carton	N.W.(kg)	G.W.(kg)
V250B S	395*265*105mm	1	/	/
V250B L	515*265*105mm	1	/	/



Mita B NEW

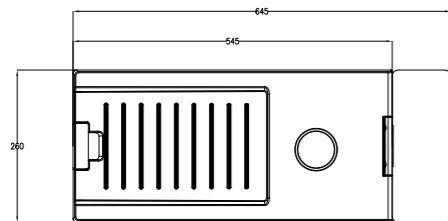


Optics available



V250B S

Chip	LED QTY	Lens QTY	Power (W)	Luminaire output flux (lm)	Luminaire efficacy (lm/W)
5050	16	4	20	2560	128
5050	16	4	30	3840	128
5050	24	6	40	5120	128
5050	24	6	50	6400	128



V250B L

Chip	LED QTY	Lens QTY	Power (W)	Luminaire output flux (lm)	Luminaire efficacy (lm/W)
5050	32	8	60	7740	129
5050	32	8	70	8050	115
5050	48	12	80	9200	115
5050	48	12	90	10350	115
5050	48	12	100	11500	115

* 5050: LUMILEDS 5050; 3535: CREE XPG3; 3030: LUMILEDS 3030

Lm: This data is tested under normal working condition, the actual data will depends on environment condition, optics/diffuser and CCT.

Mita C ^{NEW}



Patented design

V250C



Details

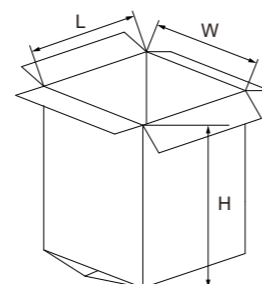


Technical information

Parameter	Technical data	Parameter	Technical data
Lifetime	Up to 100,000hrs LM70,Ta 25 C	Driver isolation	Class I or Class II
Wattags	20~100W	Control dimming	DALI / 1-10V / Timing / PWM
Light efficacy	Up to 135lm/W	Operating temperature	-35°C~50°C / 10% ~ 95% (humidity)
CRI	≥ 70 or ≥ 80	Body parts material	Die cast Aluminum
Color temperature	3000K, 4000K, Amber color	Optic	PC (standard) / PMMA (option)
Operation voltage	AC 90-305V or AC 220-240V	Screen	Flat tempered glass 5mm thickness
Frequency	50 / 60Hz	Gasket	Silicone
Power factor	≥0.95 cos	Color stability	3 or 5 MacAdam steps

Packing Information

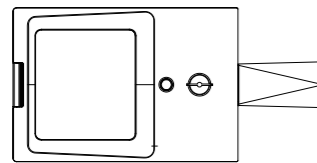
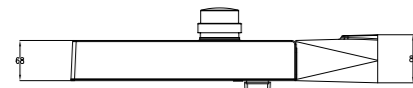
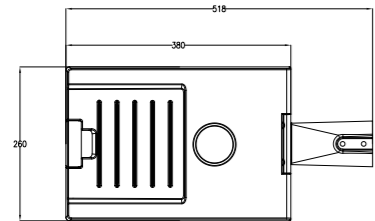
Model	Carton Size(L*W*H)	QTY/Carton	N.W.(kg)	G.W.(kg)
V250C S	540*265*120mm	1	/	/
V250C L	665*265*120mm	1	/	/



Mita C NEW

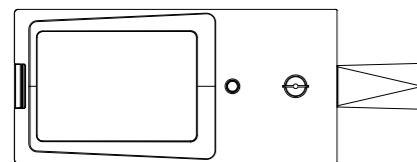
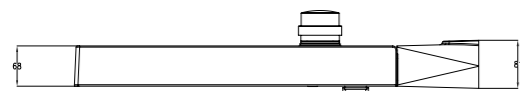
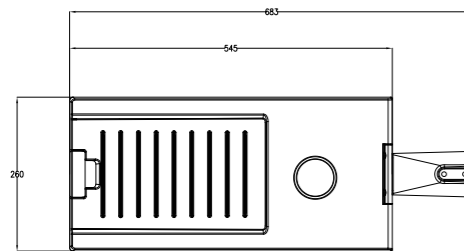


Optics available



V250C S

Chip	LED QTY	Lens QTY	Power (W)	Luminaire output flux (lm)	Luminaire efficacy (lm/W)
5050	16	4	20	2560	128
5050	16	4	30	3840	128
5050	24	6	40	5120	128
5050	24	6	50	6400	128



V250C L

Chip	LED QTY	Lens QTY	Power (W)	Luminaire output flux (lm)	Luminaire efficacy (lm/W)
5050	32	8	60	7740	129
5050	32	8	70	8050	115
5050	48	12	80	9200	115
5050	48	12	90	10350	115
5050	48	12	100	11500	115

* 5050: LUMILEDS 5050; 3535: CREE XPG3; 3030: LUMILEDS 3030

Lm: This data is tested under normal working condition, the actual data will depends on environment condition, optics/diffuser and CCT.

Patented design

V801



FOUR TYPES

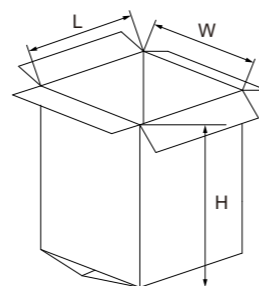


Technical information

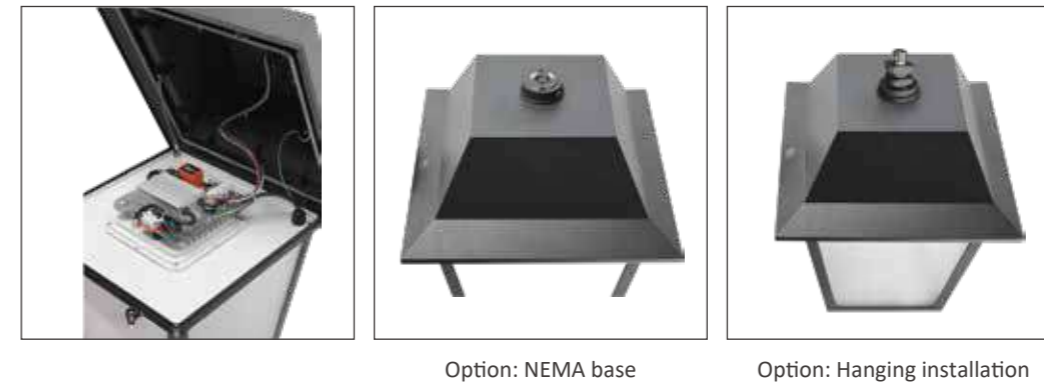
Parameter	Technical data	Parameter	Technical data
Lifetime	Up to 100,000hrs LM70,Ta 25 C	Driver isolation	Class I or Class II
Wattags	30~80W	Control dimming	DALI / 1-10V / Timing / PWM
Light efficacy	Up to 127lm/W	Operating temperature	-35°C~50°C / 10% ~ 95% (humidity)
CRI	≥ 70 or ≥ 80	Body parts material	Die cast Aluminum
Color temperature	3000K, 4000K, Amber color	Optic	PC (standard) / PMMA (option)
Operation voltage	AC 90-305V or AC 220-240V	Screen	Flat tempered glass 5mm thickness
Frequency	50 / 60Hz	Gasket	Silicone
Power factor	≥0.95 cos	Color stability	3 or 5 MacAdam steps

Packing Information

Model	Carton Size(L*W*H)	QTY/Carton	N.W.(kg)	G.W.(kg)
V801	460*460*740mm	1	9.3	11.65



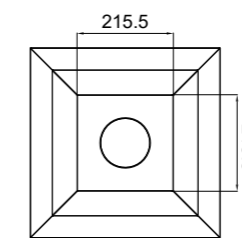
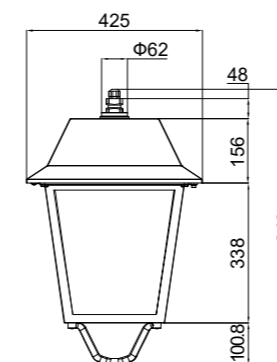
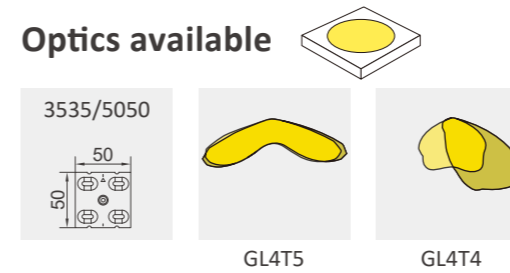
Details



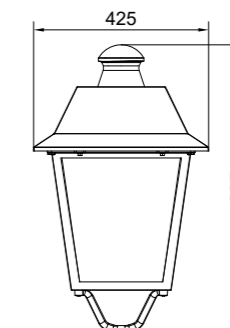
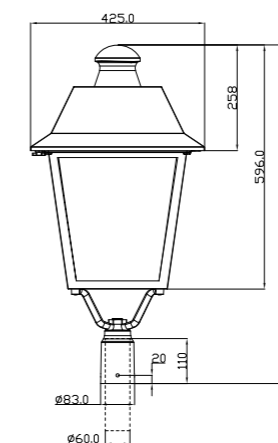
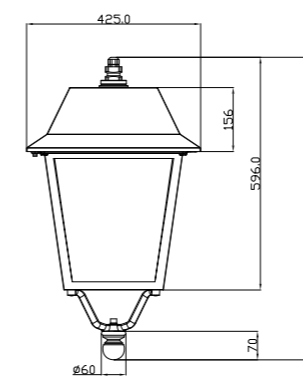
Option: NEMA base

Option: Hanging installation

Optics available



Chip	LED QTY	Lens QTY	Power (W)	Luminaire output flux (lm)	Luminaire efficacy (lm/W)
5050	12	3	30	3810	127
5050	24	6	60	7620	127
5050	36	9	80	10320	129



* 5050: LUMILEDS 5050; 3535: CREE XPG3; 3030: LUMILEDS 3030

Lm: This data is tested under normal working condition, the actual data will depends on environment condition, optics/diffuser and CCT.

Patented design

V232

TWO SIZE

ø60mm

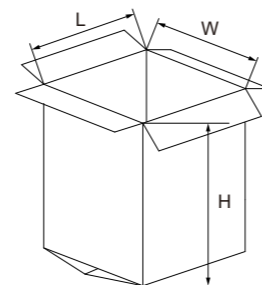


Technical information

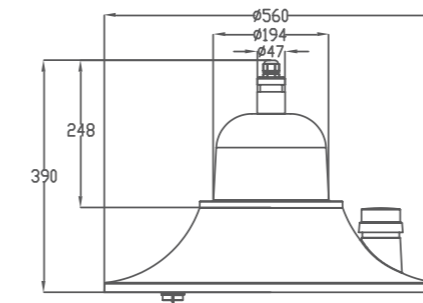
Parameter	Technical data	Parameter	Technical data
Lifetime	Up to 100,000hrs LM70, Ta 25 C	Driver isolation	Class I
Wattags	40~100W	Control dimming	DALI / 1-10V / Timing / PWM
Light efficacy	Up to 130lm/W	Operating temperature	-35°C~50°C / 10% ~ 95% (humidity)
CRI	≥ 70 or ≥ 80	Body parts material	Die cast Aluminum
Color temperature	3000K, 4000K, Amber color	Optic	PC (standard) / PMMA (option)
Operation voltage	AC 90-305V or AC 220-240V	Screen	Flat tempered glass 5mm thickness
Frequency	50 / 60Hz	Gasket	Silicone
Power factor	≥0.95 cos	Color stability	3 or 5 MacAdam steps

Packing Information

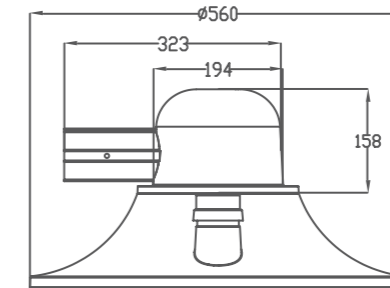
Model	Carton Size(L*W*H)	QTY/Carton	N.W.(kg)	G.W.(kg)
V232C	575*575*445mm	1	7.5	8.5
V232H	575*575*445mm	1	7.5	8.5



Details



V232C



V232H

Optics available

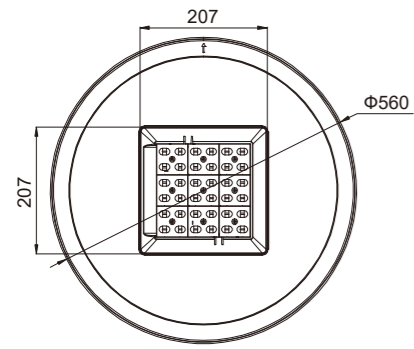


Chip	LED QTY	Lens QTY	Power (W)	Luminaire output flux (lm)	Luminaire efficacy (lm/W)
5050	24	6	40	5360	134
5050	24	6	60	7620	127
5050	36	9	80	10080	126
5050	36	9	100	12400	124

* 5050: LUMILEDS 5050; 3535: CREE XPG3; 3030: LUMILEDS 3030

Lm: This data is tested under normal working condition, the actual data will depends on environment condition, optics/diffuser and CCT.

Pesca



Suspension hoisting installation method

Suitable for various lamp pole diameters 60mm/76mm/48mm

The lamp body adopts high-strength aluminum die-casting integrated molding

Suitable for installing NEMA and ZHAGA base

High temperature resistance and long service life

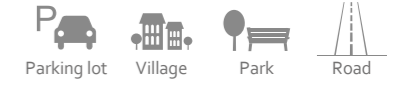
High transparency tempered glass, high protection, easy to clean



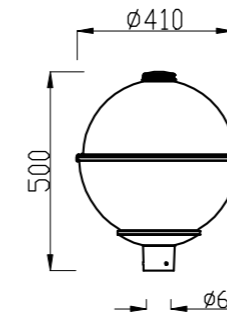
Globo Black

Patented design

V321



Optics available



Chip	LED QTY	Lens QTY	Power (W)	Luminaire output flux (lm)	Luminaire efficacy (lm/W)
5050	30	5	20	2400	120
5050	30	5	30	3600	120
5050	30	5	40	4800	120
5050	30	5	50	6000	120

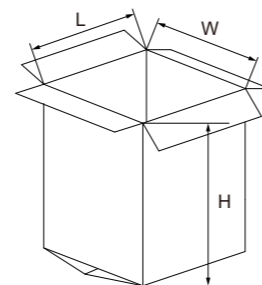


Technical information

Parameter	Technical data	Parameter	Technical data
Lifetime	Up to 100,000hrs LM70,Ta 25 C	Driver isolation	Class I
Wattags	20~50W	Control dimming	DALI / 1-10V / Timing / PWM
Light efficacy	Up to 120lm/W	Operating temperature	-35°C~50°C / 10% ~ 95% (humidity)
CRI	≥ 70 or ≥ 80	Body parts material	Stretching Aluminum
Color temperature	3000K, 4000K, Amber color	Optic	PC (standard) / PMMA (option)
Operation voltage	AC 90-305V or AC 220-240V	Cover	PC
Frequency	50 / 60Hz	Gasket	Silicone
Power factor	≥0.95 cos	Color stability	3 or 5 MacAdam steps

Packing Information

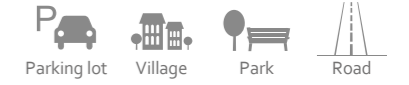
Model	Carton Size(L*W*H)	QTY/Carton	N.W.(kg)	G.W.(kg)
V321	490*490*570mm	1	7.2	8.0



* 5050: LUMILEDS 5050; 3535: CREE XPG3; 3030: LUMILEDS 3030

Lm: This data is tested under normal working condition, the actual data will depends on environment condition, optics/diffuser and CCT.

Classic light



Patented design

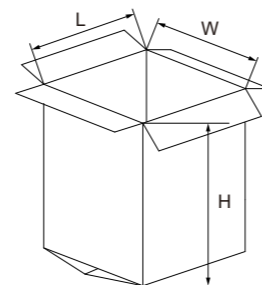


Technical information

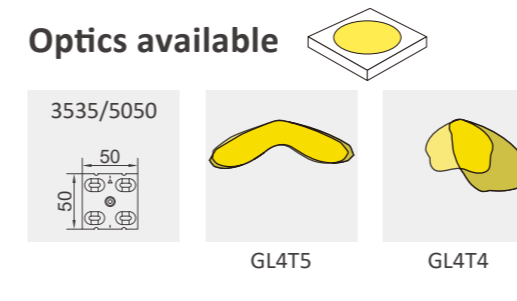
Parameter	Technical data	Parameter	Technical data
Lifetime	Up to 100,000hrs LM70,Ta 25 C	Driver isolation	Class I
Wattags	20~100W	Control dimming	DALI / 1-10V / Timing / PWM
Light efficacy	Up to 110lm/W	Operating temperature	-35°C~50°C / 10% ~ 95% (humidity)
CRI	≥ 70 or ≥ 80	Body parts material	Die cast Aluminum
Color temperature	3000K, 4000K, Amber color	Optic	PC (standard) / PMMA (option)
Operation voltage	AC 90-305V or AC 220-240V	Cover	PC
Frequency	50 / 60Hz	Gasket	Silicone
Power factor	≥0.95 cos	Color stability	3 or 5 MacAdam steps

Packing Information

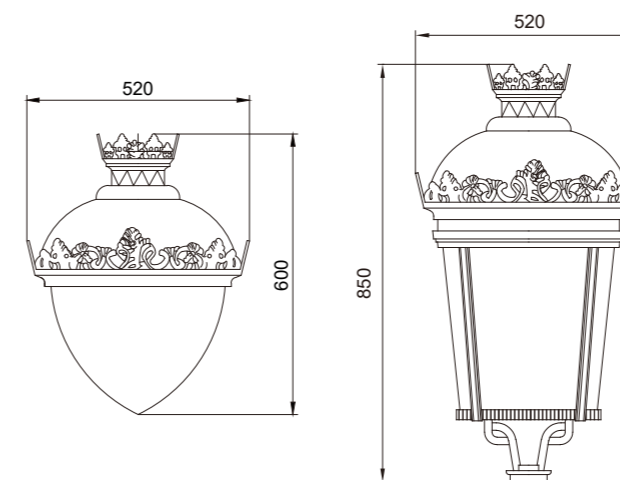
Model	Carton Size(L*W*H)	QTY/Carton	N.W.(kg)	G.W.(kg)
V860	550*550*650mm	1	10.0	11.3
V132	540*540*890mm	1	10.0	11.3



Optics available



Chip	LED QTY	Lens QTY	Power (W)	Luminaire output flux (lm)	Luminaire efficacy (lm/W)
5050	24	6	40	3600	90
5050	24	6	60	5400	90
5050	36	9	80	7200	90
5050	36	9	100	9000	90



* 5050: LUMILEDS 5050; 3535: CREE XPG3; 3030: LUMILEDS 3030

Lm: This data is tested under normal working condition, the actual data will depends on environment condition, optics/diffuser and CCT.

Reina A

Patented design

V890A

THREE TYPES

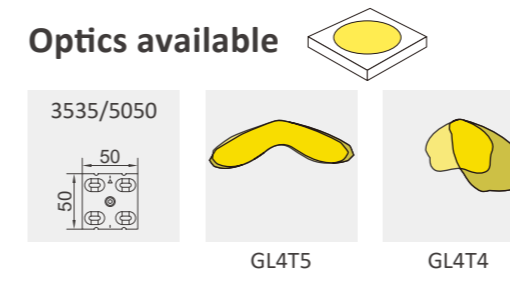


Technical information

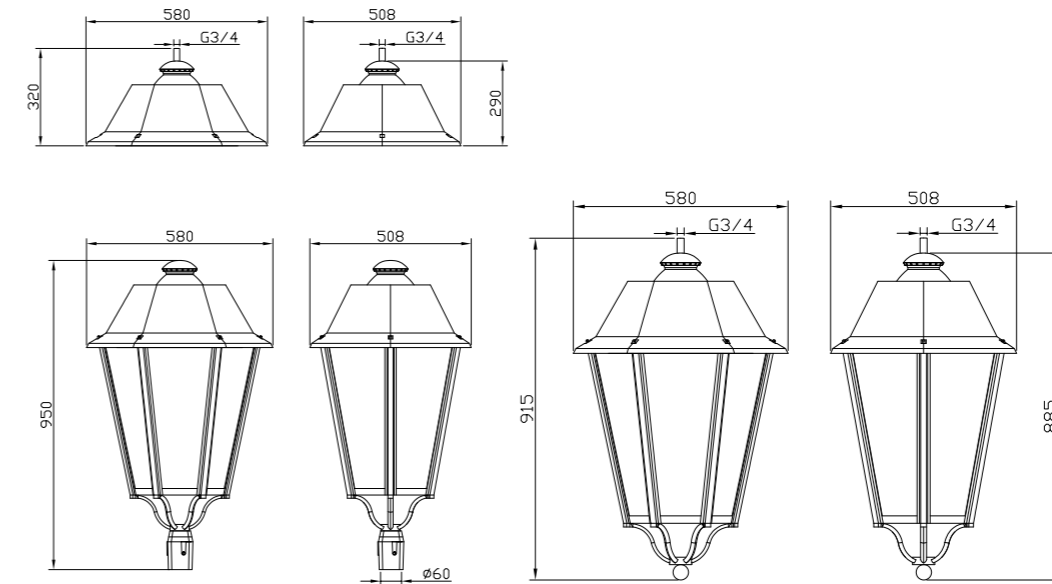
Parameter	Technical data	Parameter	Technical data
Lifetime	Up to 100,000hrs LM70, Ta 25 C	Driver isolation	Class I
Wattags	20~100W	Control dimming	DALI / 1-10V / Timing / PWM
Light efficacy	Up to 110lm/W	Operating temperature	-35°C~50°C / 10% ~ 95% (humidity)
CRI	≥ 70 or ≥ 80	Body parts material	Die cast Aluminum
Color temperature	3000K, 4000K, Amber color	Optic	PC (standard) / PMMA (option)
Operation voltage	AC 90-305V or AC 220-240V	Cover	PC
Frequency	50 / 60Hz	Gasket	Silicone
Power factor	≥0.95 cos	Color stability	3 or 5 MacAdam steps



Optics available



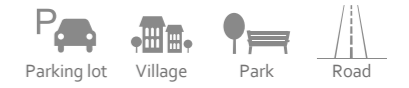
Chip	LED QTY	Lens QTY	Power (W)	Luminaire output flux (lm)	Luminaire efficacy (lm/W)
5050	24	6	40	3600	90
5050	24	6	60	5400	90
5050	36	9	80	7200	90
5050	36	9	100	9000	90



* 5050: LUMILEDS 5050; 3535: CREE XPG3; 3030: LUMILEDS 3030

Lm: This data is tested under normal working condition, the actual data will depends on environment condition, optics/diffuser and CCT.

Reina B



Patented design

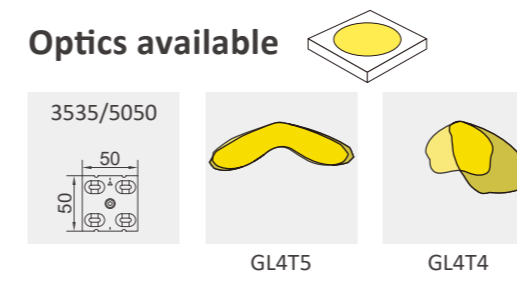
V890B

TWO TYPES

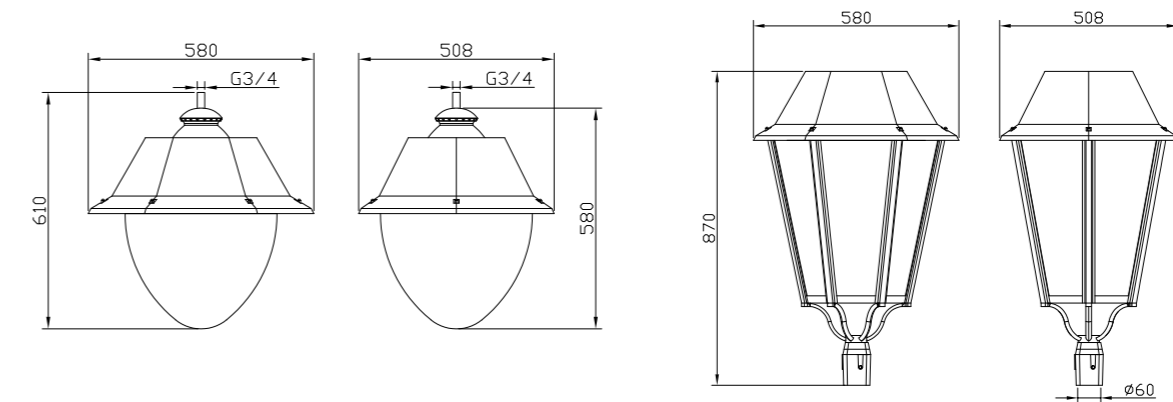


CE CB

Optics available



Chip	LED QTY	Lens QTY	Power (W)	Luminaire output flux (lm)	Luminaire efficacy (lm/W)
5050	24	6	40	3600	90
5050	24	6	60	5400	90
5050	36	9	80	7200	90
5050	36	9	100	9000	90

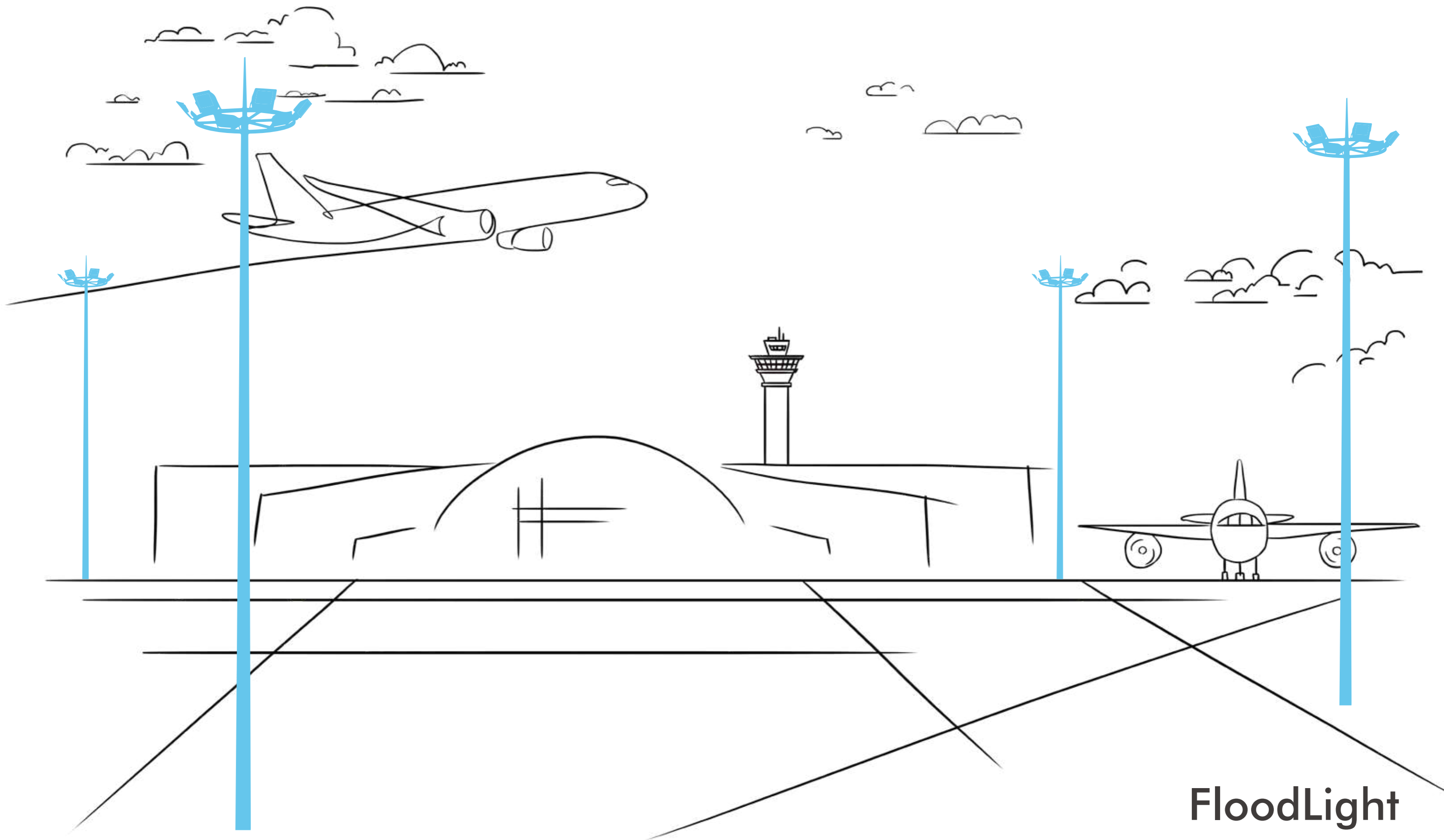


Technical information

Parameter	Technical data	Parameter	Technical data
Lifetime	Up to 100,000hrs LM70, Ta 25 C	Driver isolation	Class I
Wattags	20~100W	Control dimming	DALI / 1-10V / Timing / PWM
Light efficacy	Up to 110lm/W	Operating temperature	-35°C~50°C / 10% ~ 95% (humidity)
CRI	≥ 70 or ≥ 80	Body parts material	Die cast Aluminum
Color temperature	3000K, 4000K, Amber color	Optic	PC (standard) / PMMA (option)
Operation voltage	AC 90-305V or AC 220-240V	Cover	PC
Frequency	50 / 60Hz	Gasket	Silicone
Power factor	≥0.95 cos	Color stability	3 or 5 MacAdam steps

* 5050: LUMILEDS 5050; 3535: CREE XPG3; 3030: LUMILEDS 3030

Lm: This data is tested under normal working condition, the actual data will depends on environment condition, optics/diffuser and CCT.

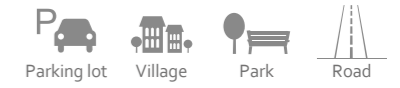


FloodLight

Sport



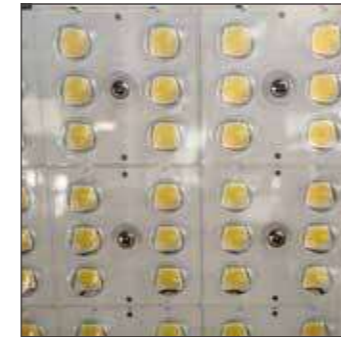
Sport



Patented design



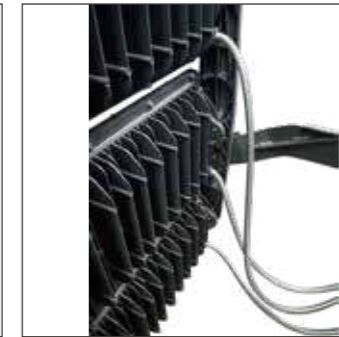
Details



High power LED chips



IP67 Terminal box

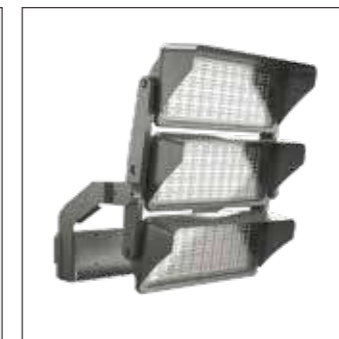


Stainless steel cover



Drop protector

Aluminum reflector



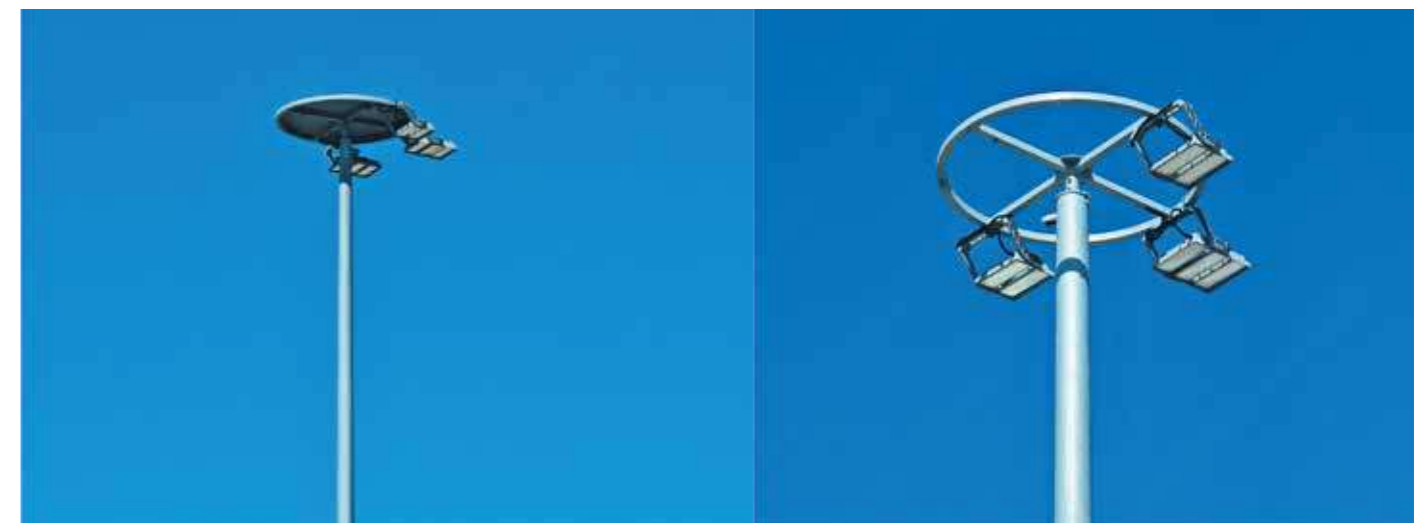
Infra-red activation

Technical information

Parameter	Technical data	Parameter	Technical data
Lifetime	Up to 100,000hrs LM70,Ta 25 C	Driver isolation	Class I
Wattags	300~1500W	Control dimming	DALI / 1-10V / Timing / PWM
Light efficacy	Up to 171lm/W	Operating temperature	-35°C~50°C / 10% ~ 95% (humidity)
CRI	≥ 70 or ≥ 80	Body parts material	ADC12 (standard)
Color temperature	3000K, 4000K, 5000K, 6500K	Optic	PC (standard)
Operation voltage	AC 90-305V or AC 220-240V	Screen	Flat tempered glass 5mm thickness
Frequency	50 / 60Hz	Gasket	Silicone
Power factor	≥0.95 cos	Color stability	3 or 5 MacAdam steps

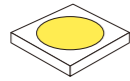
Packing Information

Model	Carton Size(L*W*H)	QTY/Carton	N.W.(kg)	G.W.(kg)	N.W.(without driver)	G.W.(without driver)
S SPORT-S	685*435*250mm	1	17	18	11.4	12.4
M SPORT-M	805*765*265mm	1	30	33	18.8	21.8
L SPORT-L	1190*800*340mm	1	48	52	34.5	38.5

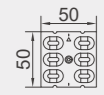


Code

Optics available



3535/5050



FD620



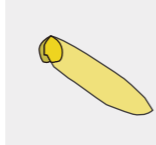
FD630



FD660



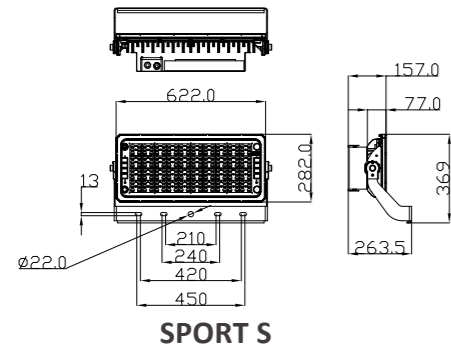
FD690



FD6P50

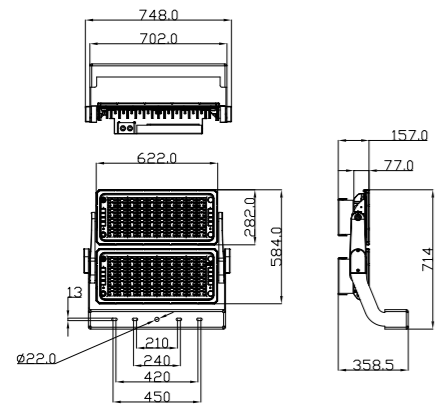


FD6P60



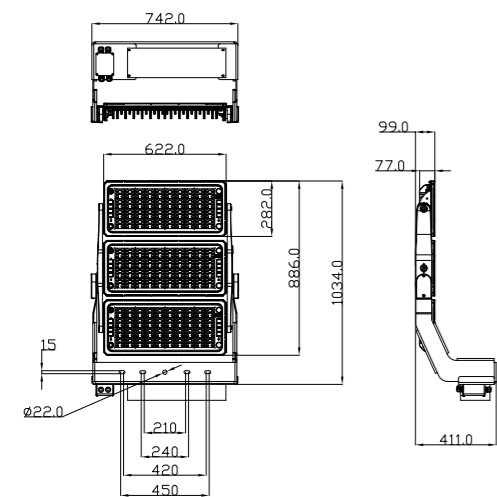
SPORT S

Chip	LED QTY	Lens QTY	Power (W)	Luminaire output flux (lm)	Luminaire efficacy (lm/W)
5050	192	32	300	45000	150
5050	192	32	400	60000	150
5050	240	40	500	75000	150



SPORT M

Chip	LED QTY	Lens QTY	Power (W)	Luminaire output flux (lm)	Luminaire efficacy (lm/W)
5050	384	64	600	90000	150
5050	384	64	700	105000	150
5050	384	64	800	120000	150
5050	480	80	900	135000	150
5050	480	80	1000	150000	150



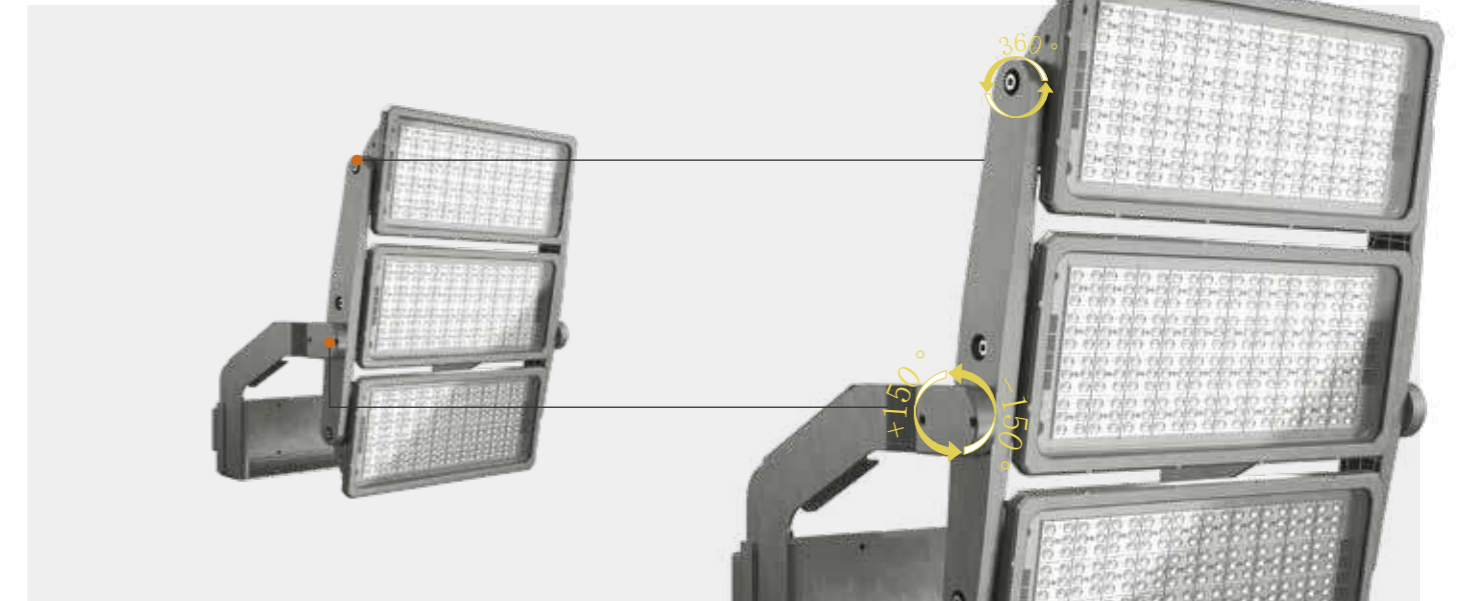
SPORT L

Chip	LED QTY	Lens QTY	Power (W)	Luminaire output flux (lm)	Luminaire efficacy (lm/W)
5050	576	96	1100	165000	150
5050	576	96	1200	180000	150
5050	720	120	1300	195000	150
5050	720	120	1400	210000	150
5050	720	120	1500	225000	150

* 5050: LUMILEDS 5050; 3535: CREE XPG3; 3030: LUMILEDS 3030

lm: This data is tested under normal working condition, the actual data will depends on environment condition, optics/diffuser and CCT.

Portable design



Placement freedom

You choose where to place the driver—neatly integrated into the luminaire or anywhere along the mast. But one thing is certain: the remotely positioned ECG turns every maintenance task into child's play.



Connection freedom

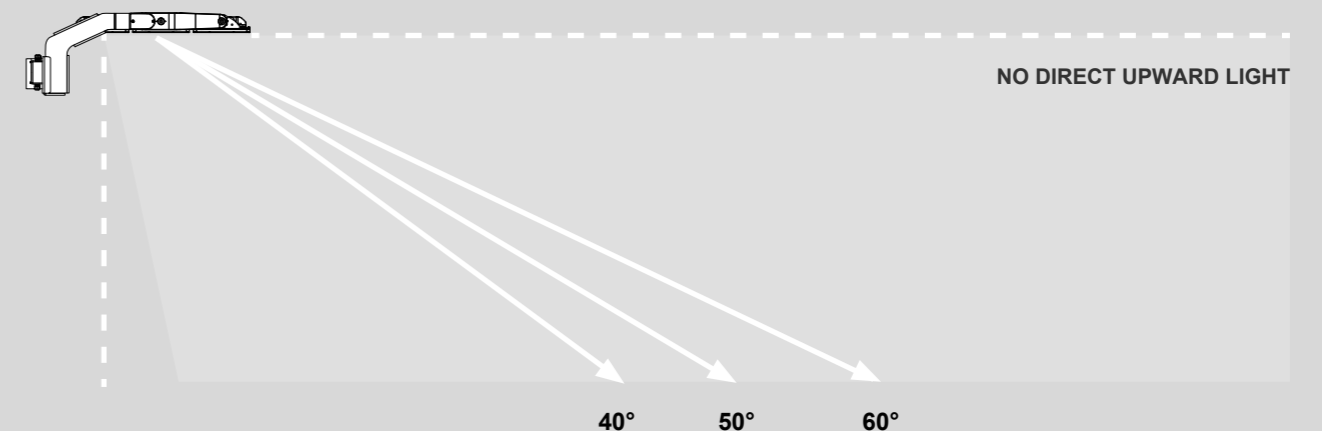
230V or 400V? Both, of course! You do not have to decide before you place an order. Floodlight FL11 is equipped with a variable ECG that can handle both connection options.



Adjustment freedom

You can rotate the modules of the floodlight FL11 by 360°. The light head itself can be adjusted in 2.5° steps. You can then point the light beam with the utmost precision to satisfy your specific needs.

ASYMMETRIC LIGHT DISTRIBUTIONS





Tunel



Tunel offers a large variety of lighting needs from recreational sport areas, industry area and even tunnel. Multiple control options ensure increased efficiency with intelligent lighting.

- Symmetrical and asymmetrical optics for highway, seaport, airport, train station, stadium, tunnel
- Excellent heat dissipation management make sure long lifespan
- LED modular engine and easy for replacement and maintenance
- Maintenance convenient & short time - consuming & low cost
- Weight control and make sure it is safe and pass 3G vibration
- Support DALI & City Touch-ready & Zhaga



Tunel



Patented design

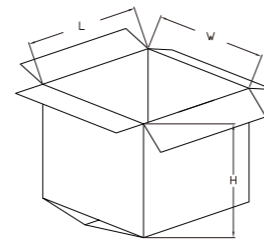


Technical information

Parameter	Technical data	Parameter	Technical data
Lifetime	Up to 100,000hrs LM70, Ta 25 C	Driver isolation	Class I or Class II
Wattags	80~320W	Control dimming	DALI / 1-10V / Timing / PWM
Light efficacy	Up to 150lm/W	Operating temperature	-35°C~50°C / 10% ~ 95% (humidity)
CRI	≥ 70 or ≥ 80	Body parts material	ADC12 (standard) / LM6 (option)
Color temperature	3000K, 4000K, 5000K, 6500K, RGB	Optic	PC (standard) / PMMA (option)
Operation voltage	AC 90-305V or AC 220-240V	Screen	Flat tempered glass 5mm thickness
Frequency	50 / 60Hz	Gasket	Silicone
Power factor	≥0.95 cos	Color stability	3 or 5 MacAdam steps

Packing Information

Model	Carton Size(L*W*H)	QTY/Carton	N.W.(kg)	G.W.(kg)
XS F510-XS	540*315*155mm	1	6.8	7.5
S F510-S	610*390*160mm	1	10.5	11.4
M F510-M	715*470*165mm	1	15.5	16.5



Details



Zhaga base



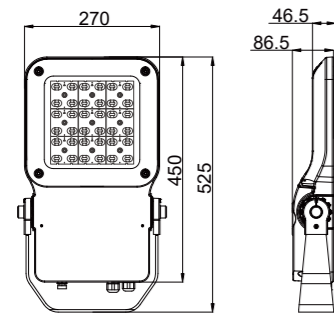
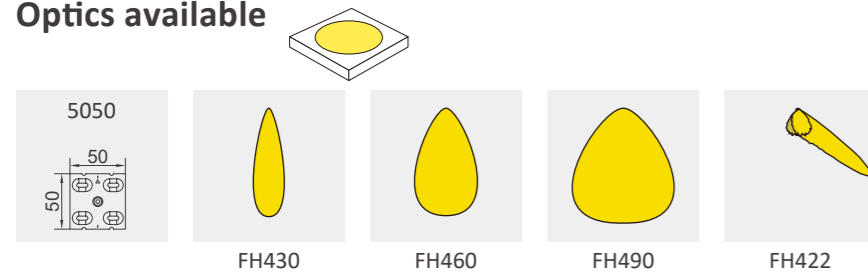
RGB



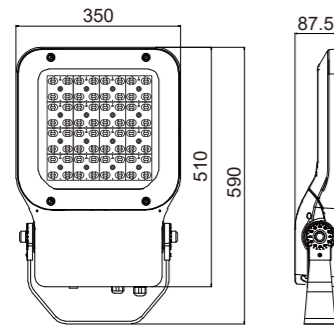
Tunnel light

Tunel

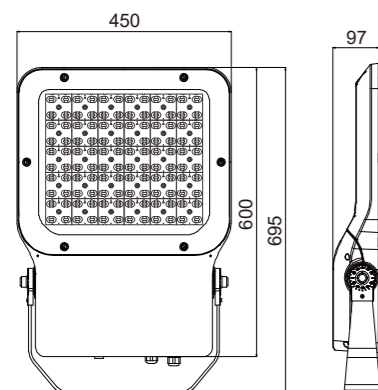
Optics available



Chip	LED QTY	Lens QTY	Power (W)	Luminaire output flux (lm)	Luminaire efficacy (lm/W)
5050	36	9	80	12000	150
5050	36	9	100	15000	150



Chip	LED QTY	Lens QTY	Power (W)	Luminaire output flux (lm)	Luminaire efficacy (lm/W)
5050	48	12	120	18000	150
5050	48	12	150	22500	150
5050	64	16	180	27000	150
5050	64	16	200	30000	150



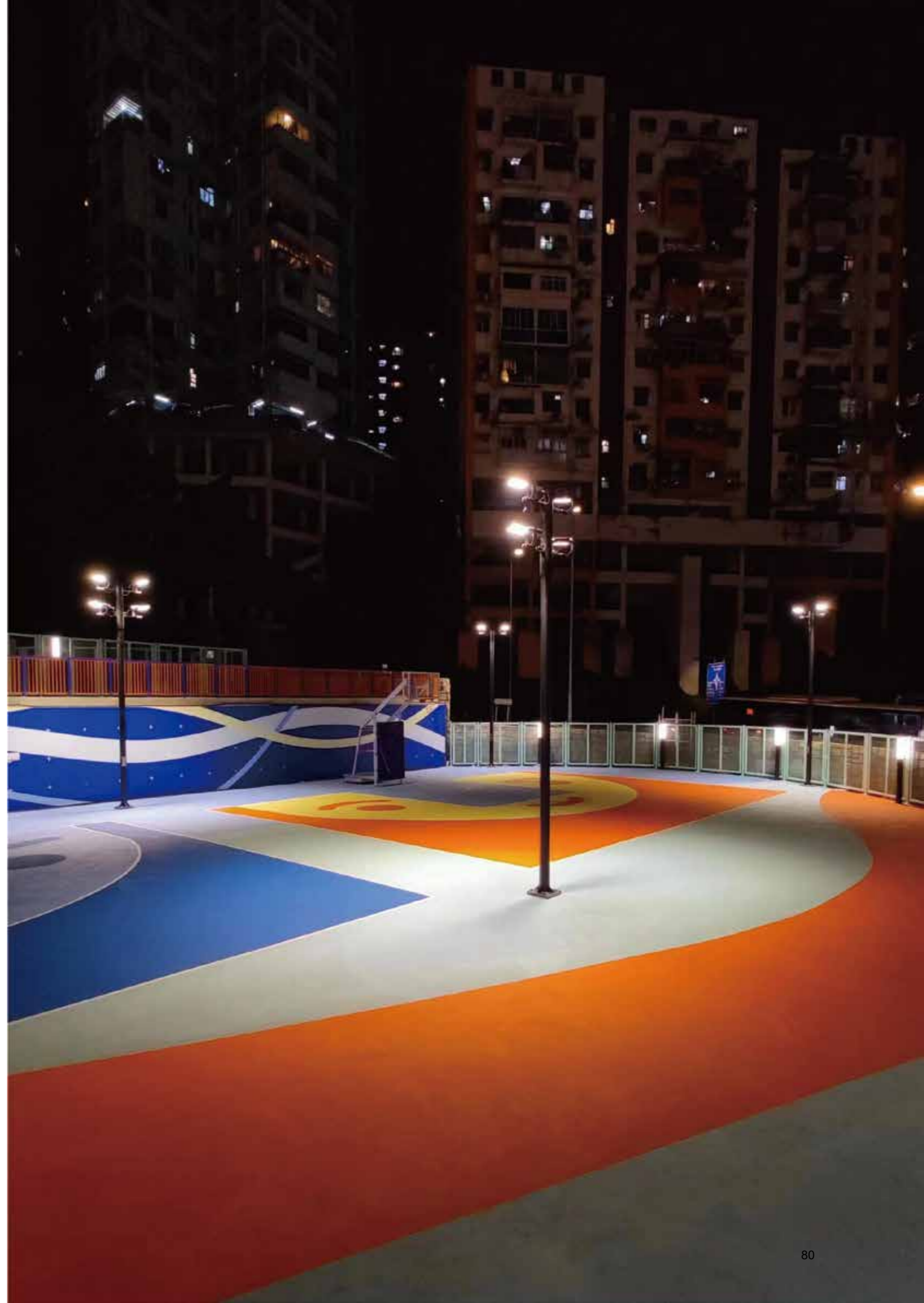
Chip	LED QTY	Lens QTY	Power (W)	Luminaire output flux (lm)	Luminaire efficacy (lm/W)
5050	100	25	200	29400	150
5050	100	25	240	30800	150
5050	120	30	280	32200	150
5050	120	30	320	33600	150

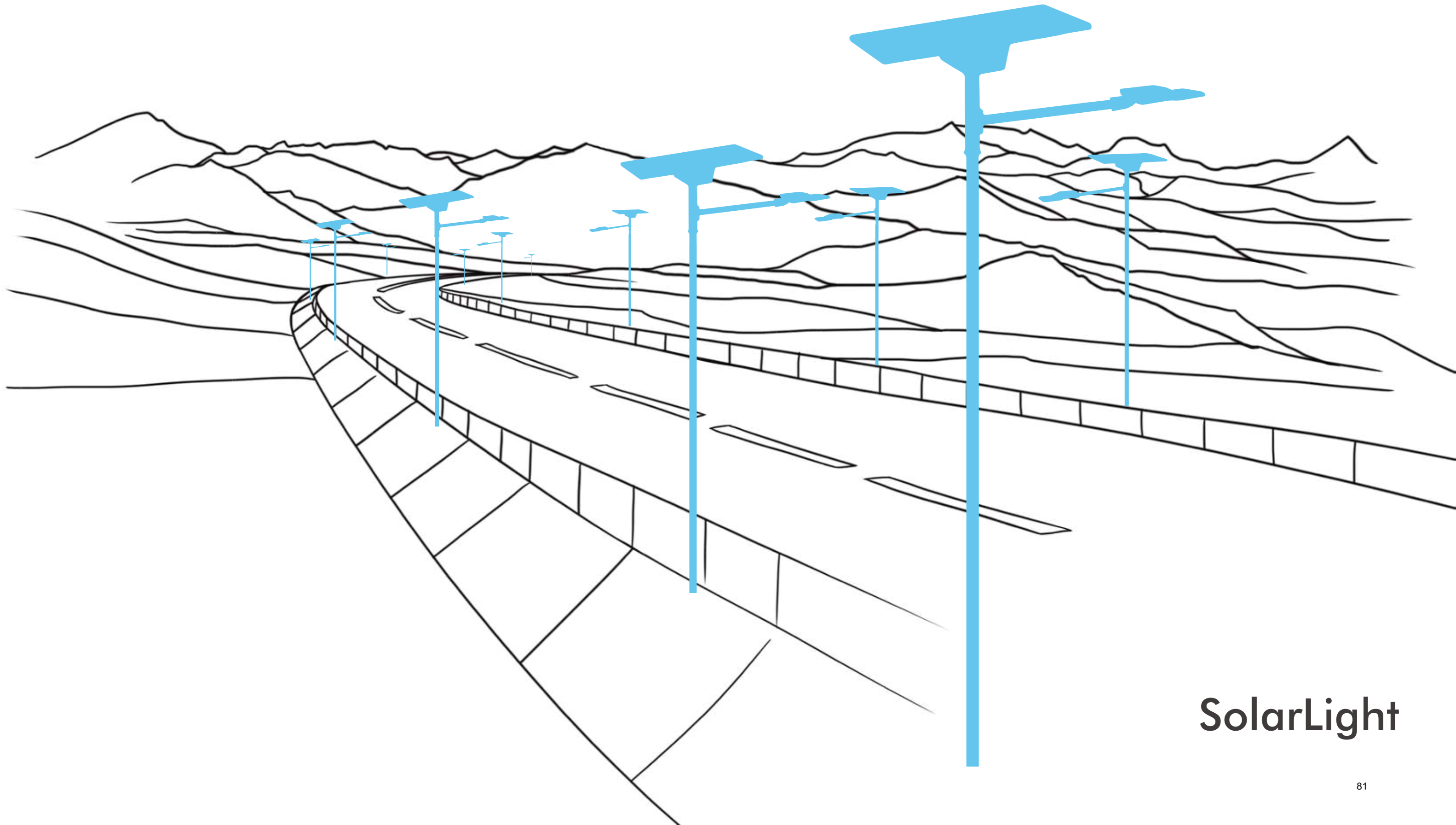


* 5050: LUMILEDS 5050; 3535: CREE XPG3; 3030: LUMILEDS 3030

lm: This data is tested under normal working condition, the actual data will depends on environment condition, optics/diffuser and CCT.

Tunel

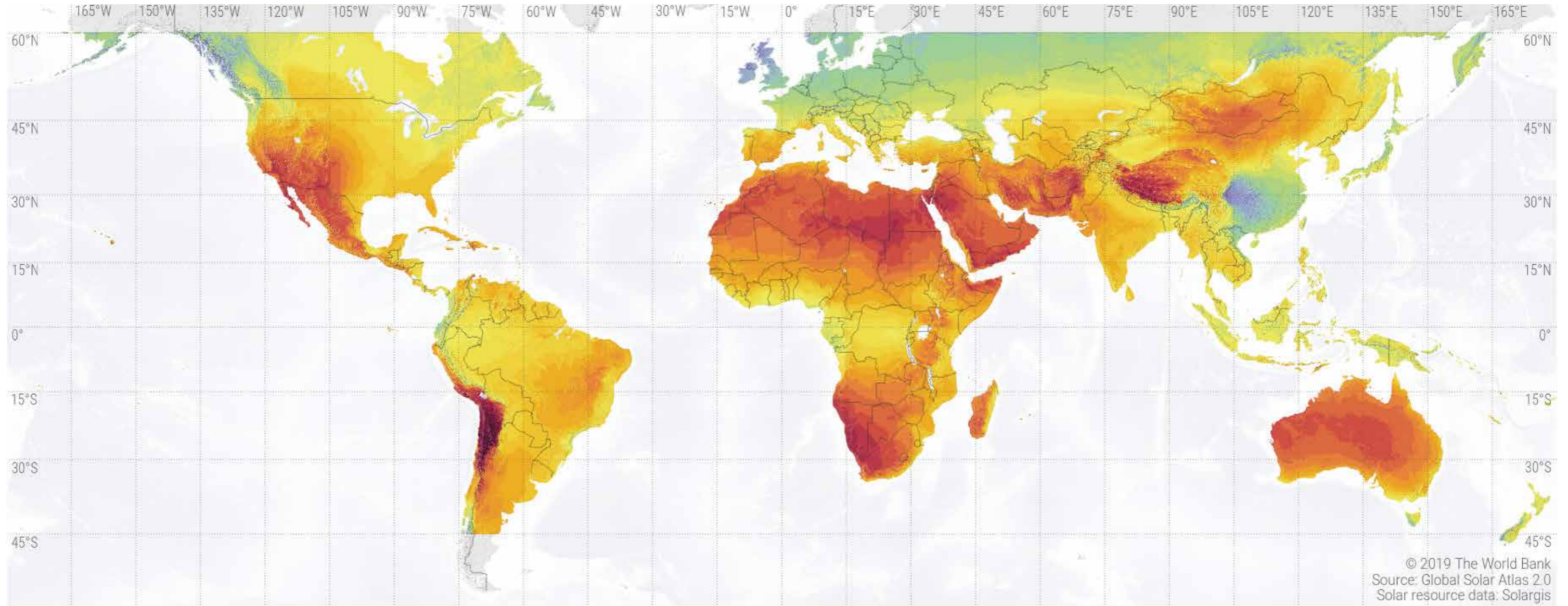




SolarLight

Solar resource map

Photovoltaic power potential



Long-term average of photovoltaic power potential (PVOUT)



Solar street light

1. For the purpose of preparing a best solar lighting system scheme for you, what information are you required to provide for me?

- Detailed installation locations, on the local sunshine peak time of which we need to be based for calculation of the configuration of the solar lighting system for you.
- How many hours are the street lights required to work each day (such as 5 or 10 hours each day)?
- When the rainy season comes, how many consecutive rainy days (such as 3 or 4 days) are required to be guaranteed to keep the street lights working normally for your illumination?
- Height of lamp poles or width of roads.
- Brightness of street lights required.

2. What is the sunshine peak time?

The sunshine peak time is referred to the unit strength of the sunlight reaching the earth every hour, on the basis of which we can analyze the climate and the weather. The time of the strongest intensity of the sunlight measured should be at noon, within 3 ~ 4 hours before and after noon (varying depending on the region to be located), the charging effect of the sunlight on the solar panels is the best (of course, the hottest time in summer may perhaps be excluded)

3. How to know when the solar street lights are turned on turned off?

The controller we choose for use is an intelligent waterproof controller composed of a light controller and a time controller, and, with it installed, no man-made control is needed later on and the solar street lights shall be turned on or turned off on time. As the controller is equivalent to the position of a human heart, which is connected with the solar panels absorbing sunlight and the storage batteries and the light source for lighting, when it senses the voltage of solar panel dropping down to the level set up, it will open the circuit of lighting source and, when the time we set up (for example, 10 hours) arrives, it will automatically turn off the light source. This is what we call the technology of intelligent light control switching-on and time control switching-off. Besides, there are multiple functions in this controller, such as those to prevent battery overcharge or overdischarge, so as not to cause any damage to the battery. will automatically turn off the light source. This is what we call the technology of intelligent light control switching-on and time control switching-off. Besides, there are multiple functions in this controller, such as those to prevent battery overcharge or overdischarge, so as not to cause any damage to the battery.

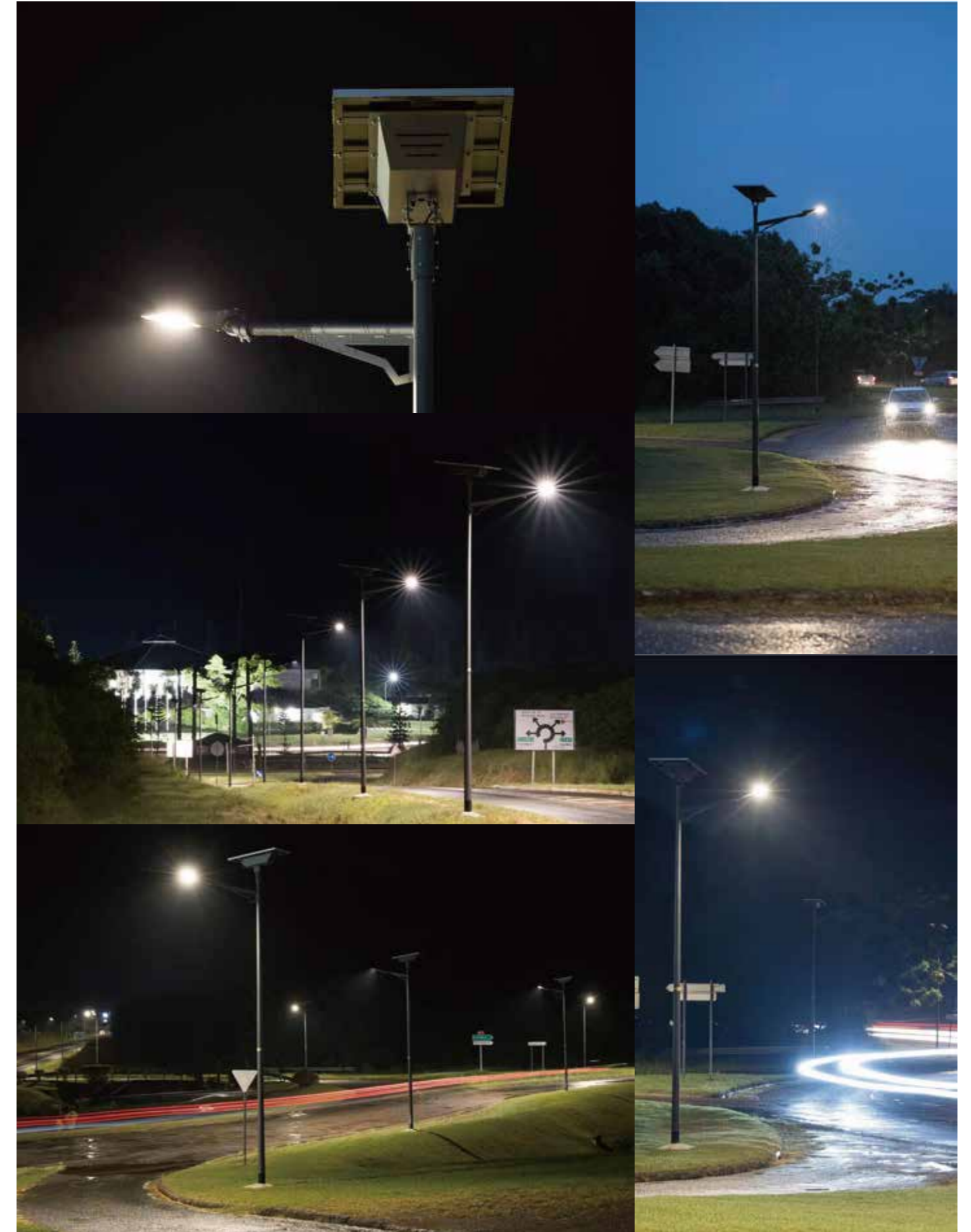
4. If there are several consecutive rainy days occurring, what shall we do? Can it be working normally?

If there are several bad weather, cloudy or rainy days occurring recently, there is no need for you to worry about, as we have taken them into our consideration. When we made the scheme for you, we could make full preparations in advance. 3 days or 5 days, you may decide as you please. As long as there are regular and continuous overcast or rainy days occurring, there will be continuous lighting. However, remember that, when making the scheme, what we need to consider is the regular, continuous days and, for the individual time of consecutive overcast or rainy days, it is not recommended to design according to the individual time, because it will increase your costs a lot.

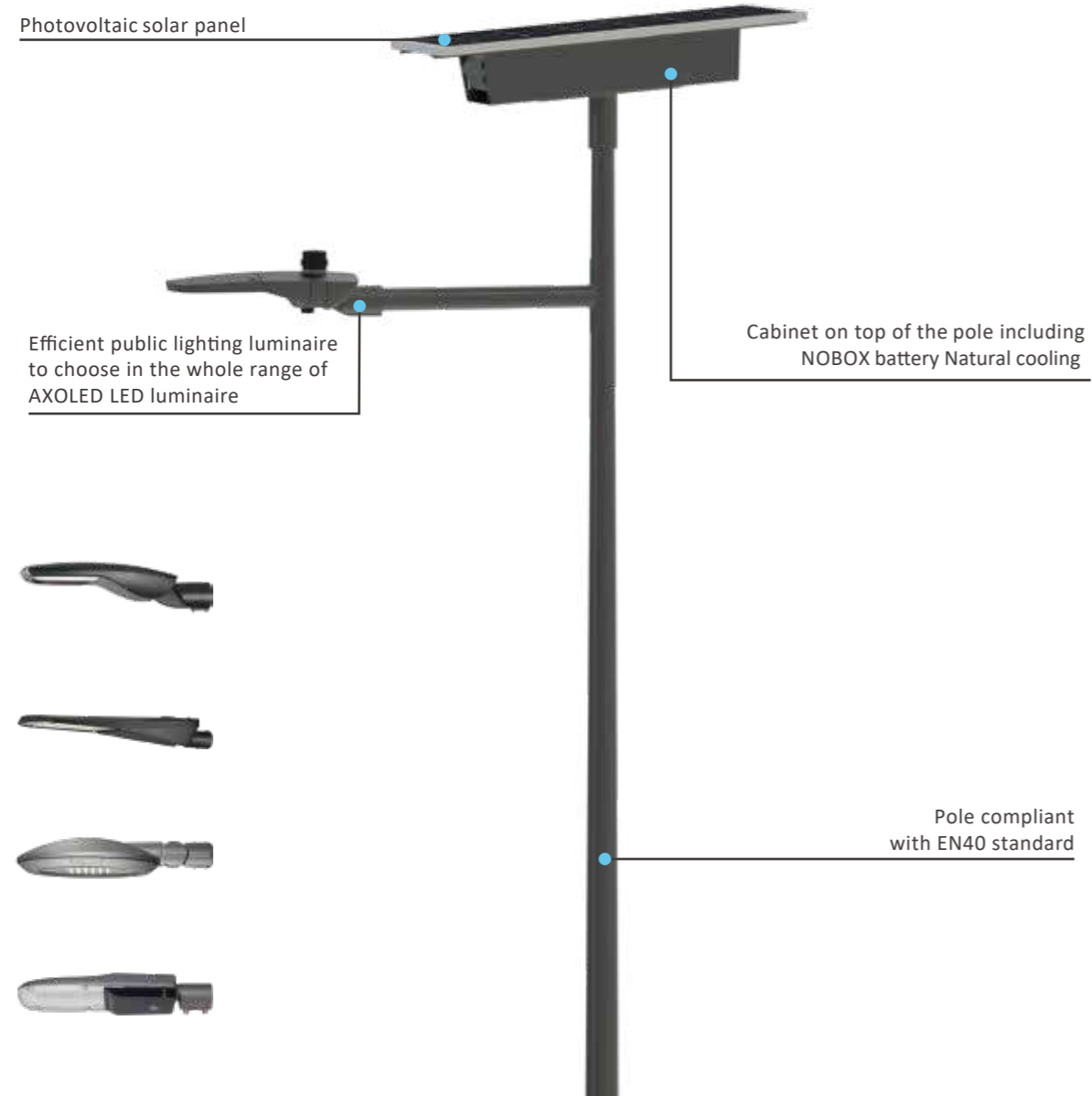
5. How to maintain the solar system?

There is not too much maintenance required for the solar energy system intuitively and this is the convenience in it, but if there is too much dust locally, it is recommended that you should clean the solar cell panels every 3 to 5 months, so as to keep its high efficiency.

Project



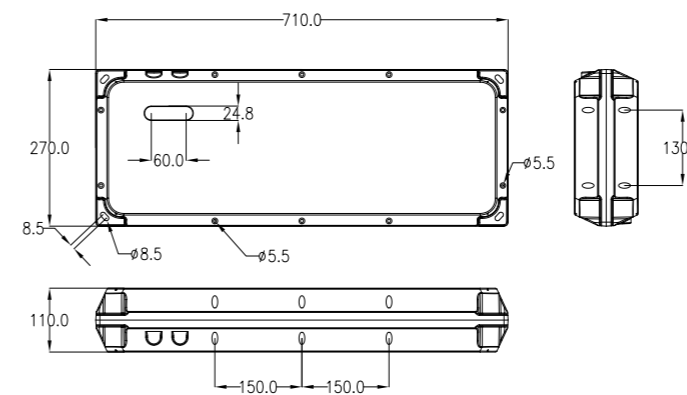
Suna



Suna Solar Box



Dimensions



Code

Model	Lamp wattage	Solar panel	Controller	Battery	Cable	LED lamp	Lumen output
Suna	24W	80W---18V, Mono 1200*540*30mm	10A/12V waterproof solar charge controller, dusk to dawn with dim brightness. Combined into battery case.100%@4H-->40%@8H	36AH/25.6V LiFe PO4 battery with 96pcs 32650 (8S5P)	5m 2*2.5mm ²	24W--36VDC	About 3360lumens
	48W	100W---18V, Mono 1020*670*30mm	10A/12V waterproof solar charge controller, dusk to dawn with dim brightness. Combined into battery case.100%@4H-->40%@8H	60AH/25.6V LiFe PO4 battery with 96pcs 32650 (8S12P)	5m 2*2.5mm ²	48W--36VDC	About 6720lumens
	72W	140W---18V, Mono 1480*680*35mm	10A/12V waterproof solar charge controller, dusk to dawn with dim brightness. Combined into battery case.100%@4H-->40%@8H	90AH/25.6V LiFe PO4 battery with 96pcs 32650 (8S15P)	5m 2*2.5mm ²	72W--36VDC	About 10080lumens

Siva ^{NEW}



Patented design

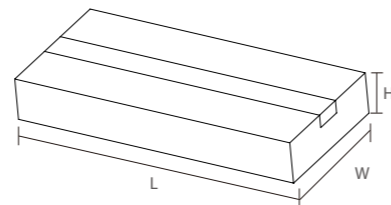


Technical information

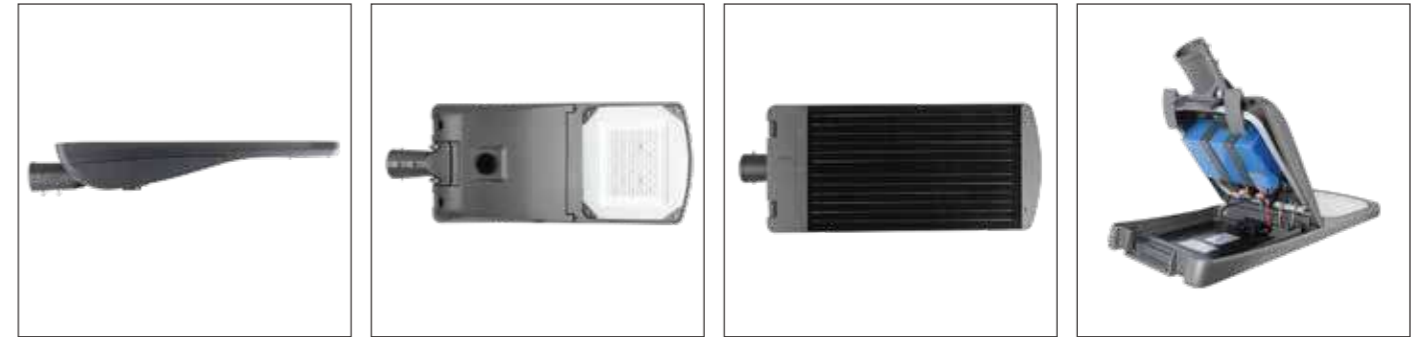
Parameter	Technical data	Parameter	Technical data
LED Lifetime	Up to 50,000hrs LM70, Ta 50 C	Control dimming	Timing
Wattags	30W	Operating temperature	-20°C~60°C / 10% ~ 95% (humidity)
Light efficacy	Up to 180lm/W	Body parts material	ADC12 (standard) / LM6 (option)
CRI	≥ 70 or ≥ 80	Optic	PC (standard) / PMMA (option)
Color temperature	3000K, 4000K, Amber color	Screen	Flat tempered glass 5mm thickness
Operation voltage	DC 24V	Gasket	Silicone
Color stability	3 or 5 MacAdam steps		

Packing Information

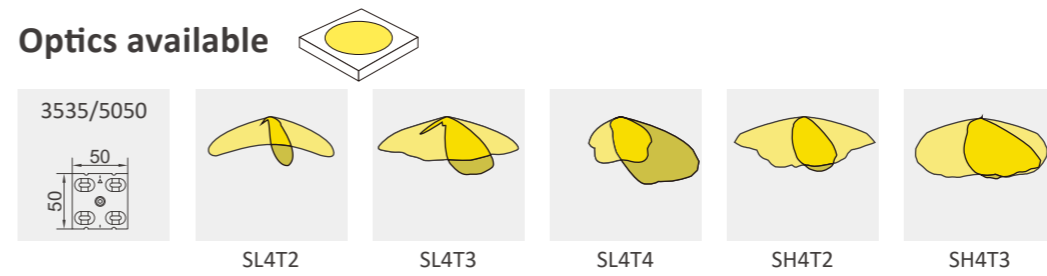
Model	Carton Size(L*W*H)	QTY/Carton	N.W.(kg)	G.W.(kg)
Siva	915*385*170 mm	1	17.1	18.1



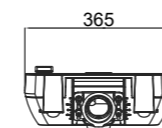
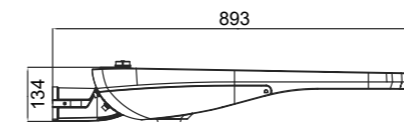
Details



Optics available



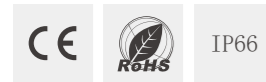
Model	Chip	LED QTY	Power (W)	Current (mA)	Luminaire efficacy (lm/W)	Working mode	Autonomy Information	LifePO4 Battery
Siva	5050	48	30	1250	180	2hrs-100%, 2hrs-60%, 6hrs-30%, 1hrs-100%	2days	461WH/12.8V 36AH



LED Engine-retrofit



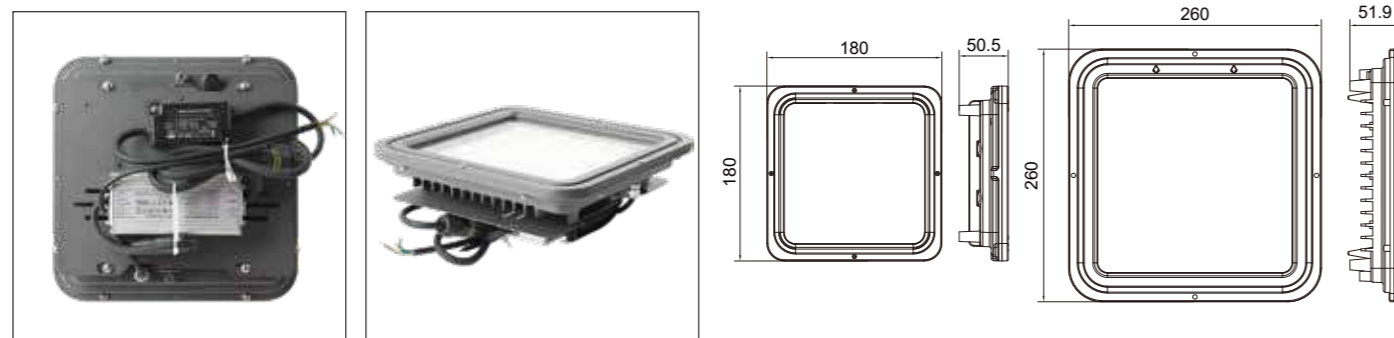
Patented design



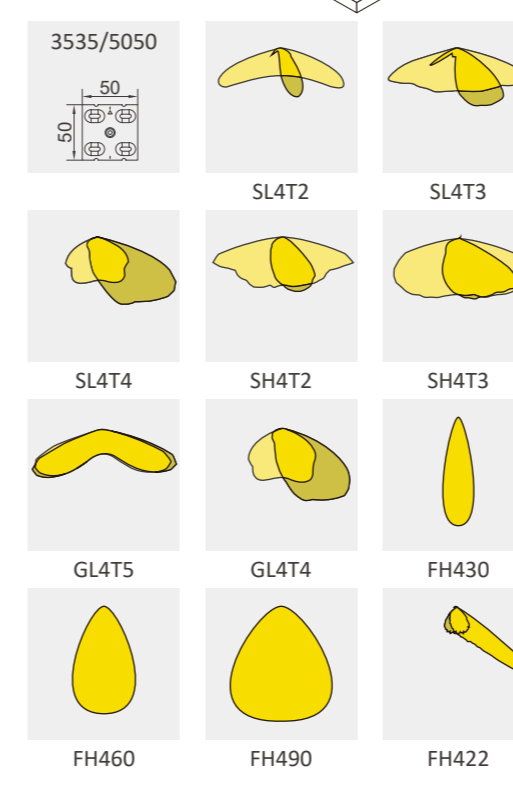
Technical information

Parameter	Technical data	Parameter	Technical data
Lifetime	Up to 100,000hrs LM70, Ta 25 C	Driver isolation	Class I or Class II
Wattags	10~100W	Control dimming	DALI / 1-10V / Timing / PWM
Light efficacy	Up to 137lm/W	Operating temperature	-35°C~50°C / 10% ~ 95% (humidity)
CRI	≥ 70 or ≥ 80	Body parts material	Die cast Aluminum
Color temperature	3000K, 4000K, Amber color	Optic	PC (standard) / PMMA (option)
Operation voltage	AC 90-305V or AC 220-240V	Screen	Flat tempered glass 5mm thickness
Frequency	50 / 60Hz	Gasket	Silicone
Power factor	≥0.95 cos	Color stability	3 or 5 MacAdam steps

Details

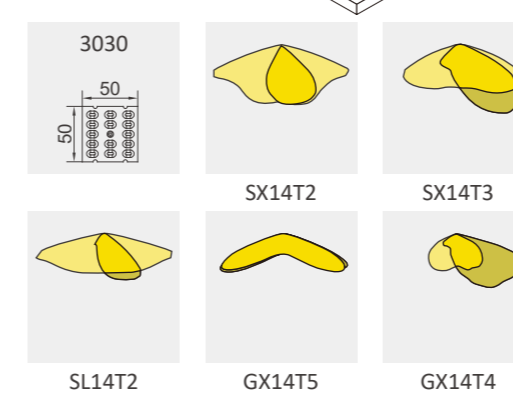


Optics available



Chip	LED QTY	Lens QTY	Power (W)	Luminaire output flux (lm)	Luminaire efficacy (lm/W)
5050	16	4	30	4110	137
3535	16	4	30	3930	131
Chip	LED QTY	Lens QTY	Power (W)	Luminaire output flux (lm)	Luminaire efficacy (lm/W)
5050	24	6	40	5360	134
5050	24	6	60	7620	127
5050	36	9	80	10080	126
5050	36	9	100	12400	124
3535	24	6	40	5360	134
3535	24	6	60	7620	127
3535	36	9	80	10080	126
3535	36	9	100	12400	124

Optics available



Chip	LED QTY	Lens QTY	Power (W)	Luminaire output flux (lm)	Luminaire efficacy (lm/W)
3030	56	4	40	4880	122
Chip	LED QTY	Lens QTY	Power (W)	Luminaire output flux (lm)	Luminaire efficacy (lm/W)
3030	84	6	60	7920	132
3030	126	9	80	9760	122
3030	126	9	100	11700	117

* 5050: LUMILEDS 5050; 3535: CREE XPG3; 3030: LUMILEDS 3030

Lm: This data is tested under normal working condition, the actual data will depends on environment condition, optics/diffuser and CCT.

LED Engine-retrofit

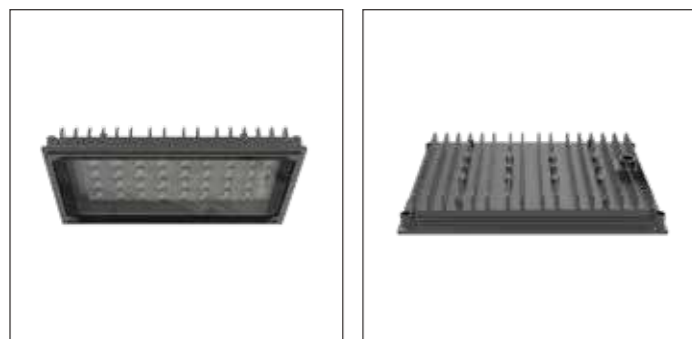
Patented design



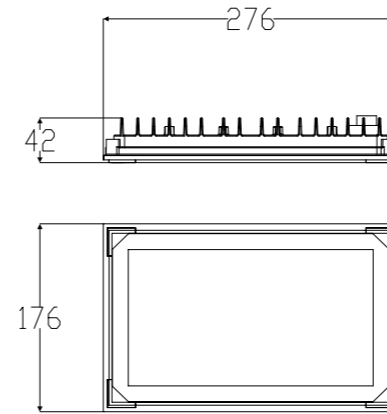
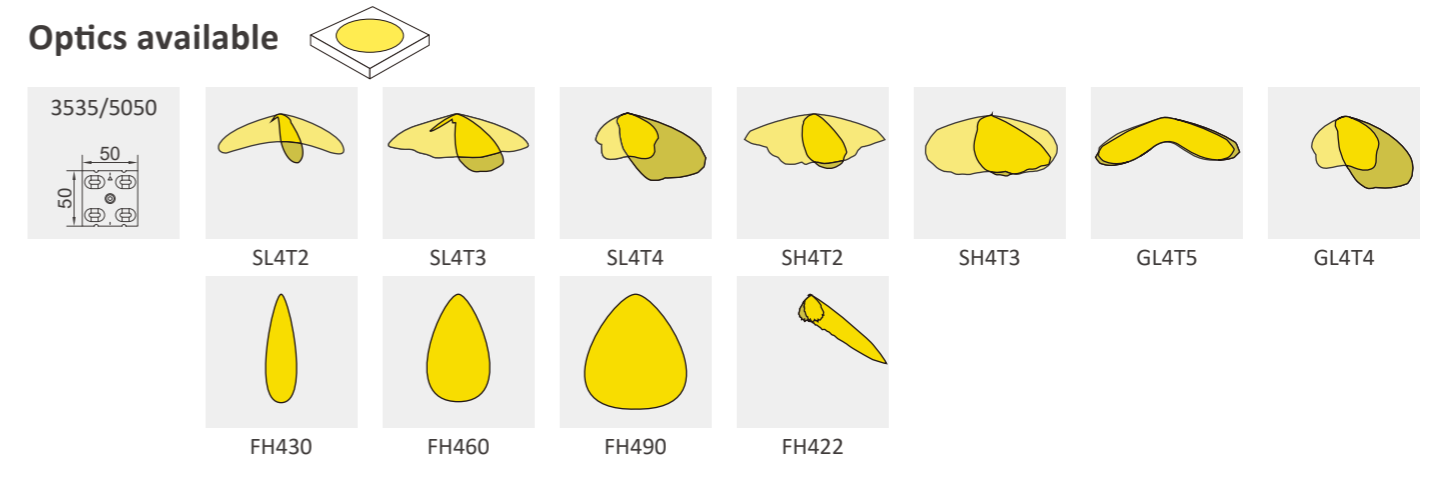
Technical information

Parameter	Technical data	Parameter	Technical data
Lifetime	Up to 100,000hrs LM70,Ta 25 C	Driver isolation	Class I
Wattags	20~80W	Control dimming	1-10V / PWM
Light efficacy	Up to 150lm/W	Operating temperature	-35°C~50°C / 10% ~ 95% (humidity)
CRI	≥ 70 or ≥ 80	Body parts material	Die cast Aluminum
Color temperature	3000K, 4000K, Amber color	Optic	PC (standard) / PMMA (option)
Operation voltage	AC 90-305V or AC 220-240V	Screen	Flat tempered glass 5mm thickness
Frequency	50 / 60Hz	Gasket	Silicone
Power factor	≥0.95 cos	Color stability	3 or 5 MacAdam steps

Details



Optics available



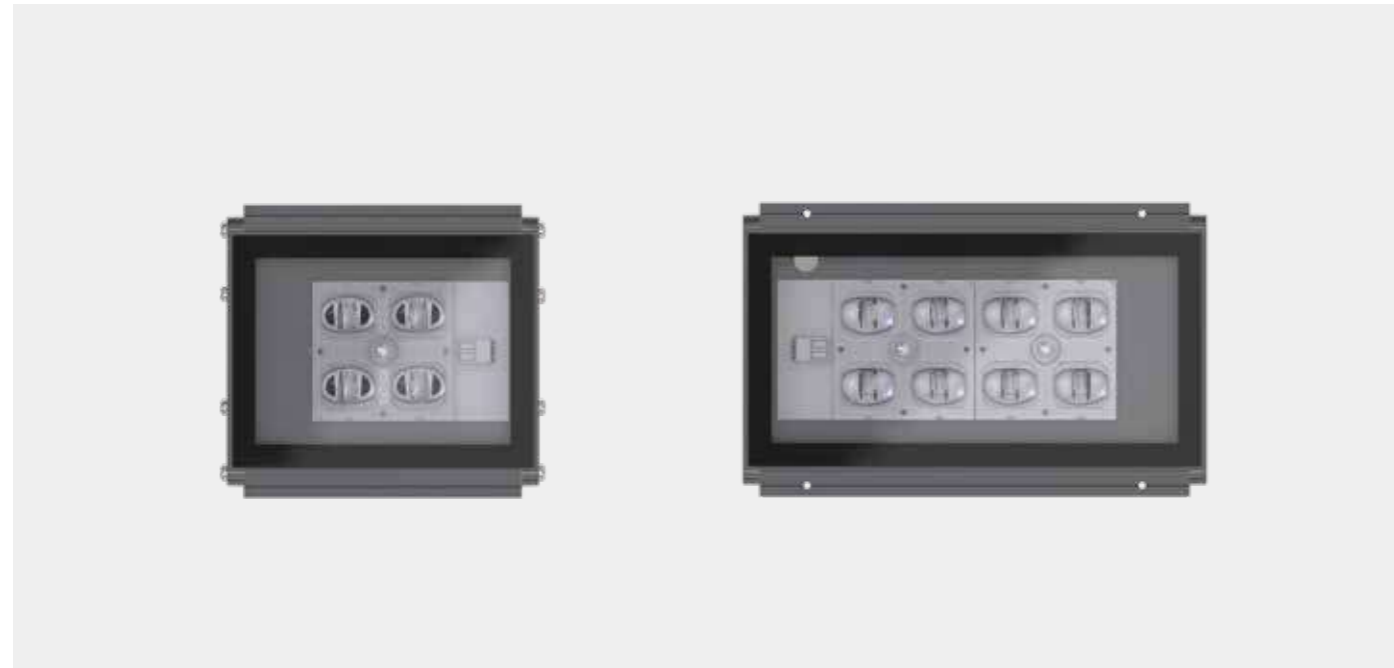
Chip	LED QTY	Lens QTY	Power (W)	Luminaire output flux (lm)	Luminaire efficacy (lm/W)
5050	16	4	20	3000	150
5050	16	4	30	4500	150
5050	16	4	40	6000	150
5050	32	8	50	7500	150
5050	32	8	60	9000	150
5050	32	8	70	10500	150
5050	32	8	80	12000	150

* 5050: LUMILEDS 5050; 3535: CREE XPG3; 3030: LUMILEDS 3030

Lm: This data is tested under normal working condition, the actual data will depends on environment condition, optics/diffuser and CCT.

LED Engine-retrofit

Patented design



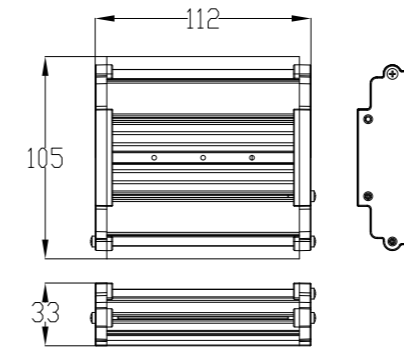
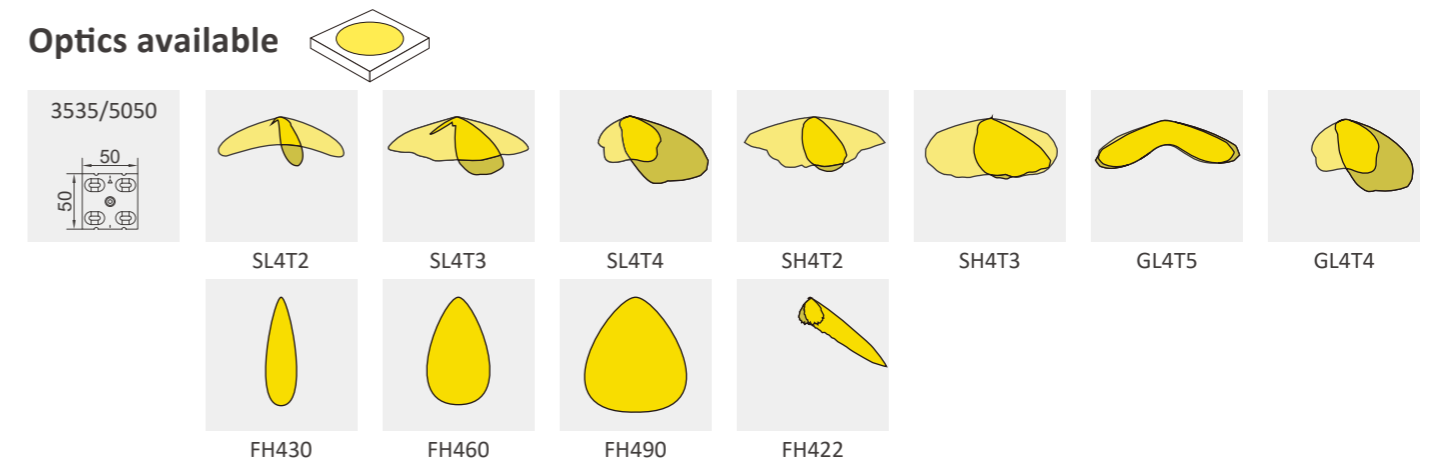
Technical information

Parameter	Technical data	Parameter	Technical data
Lifetime	Up to 100,000hrs LM70, Ta 25 C	Driver isolation	Class I
Wattags	10~20W	Control dimming	1-10V / PWM
Light efficacy	Up to 120lm/W	Operating temperature	-35°C~50°C / 10% ~ 95% (humidity)
CRI	≥ 70 or ≥ 80	Body parts material	Die cast Aluminum
Color temperature	3000K, 4000K, Amber color	Optic	PC (standard) / PMMA (option)
Operation voltage	AC 90-305V or AC 220-240V	Screen	Flat tempered glass 5mm thickness
Frequency	50 / 60Hz	Gasket	Silicone
Power factor	≥0.95 cos	Color stability	3 or 5 MacAdam steps

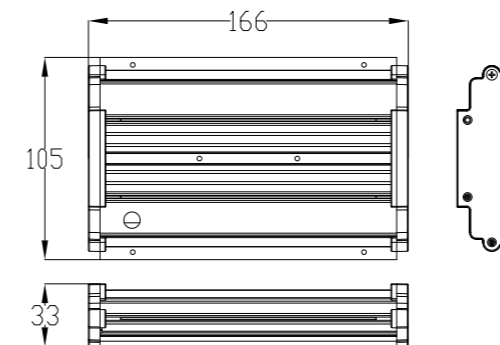
Details



Optics available



Chip	LED QTY	Lens QTY	Power (W)	Luminaire output flux (lm)	Luminaire efficacy (lm/W)
5050	4	1	10	1200	120



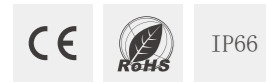
Chip	LED QTY	Lens QTY	Power (W)	Luminaire output flux (lm)	Luminaire efficacy (lm/W)
5050	8	1	20	2400	120

* 5050: LUMILEDS 5050; 3535: CREE XPG3; 3030: LUMILEDS 3030

Lm: This data is tested under normal working condition, the actual data will depends on environment condition, optics/diffuser and CCT.

LED Engine-retrofit

Patented design



Technical information

Parameter	Technical data	Parameter	Technical data
Lifetime	Up to 100,000hrs LM70,Ta 25 C	Driver isolation	Class I or Class II
Wattags	30~50W	Control dimming	DALI / 1-10V / Timing / PWM
Light efficacy	Up to 130lm/W	Operating temperature	-35°C~50°C / 10% ~ 95% (humidity)
CRI	≥ 70 or ≥ 80	Body parts material	Die cast Aluminum
Color temperature	3000K, 4000K, Amber color	Optic	PC (standard) / PMMA (option)
Operation voltage	AC 90-305V or AC 220-240V	Screen	Flat tempered glass 5mm thickness
Frequency	50 / 60Hz	Gasket	Silicone
Power factor	≥0.95 cos	Color stability	3 or 5 MacAdam steps

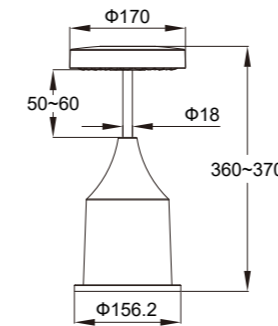
Details



Optics available



G11C36-T3 C12C36-T5



Chip	LED QTY	Lens QTY	Power (W)	Luminaire output flux (lm)	Luminaire efficacy (lm/W)
5050	24	1	30	3900	130
5050	30	1	40	5200	130
5050	36	1	50	6500	130

* 5050: LUMILEDS 5050; 3535: CREE XPG3; 3030: LUMILEDS 3030

Lm: This data is tested under normal working condition, the actual data will depends on environment condition, optics/diffuser and CCT.

LED Engine-retrofit

Patented design



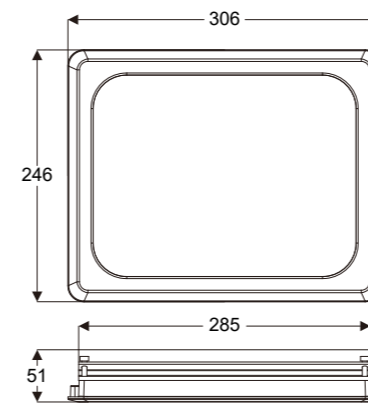
Technical information

Parameter	Technical data	Parameter	Technical data
Lifetime	Up to 100,000hrs LM70,Ta 25 C	Driver isolation	Class I
Wattags	60~150W	Control dimming	1-10V / PWM
Light efficacy	Up to 150lm/W	Operating temperature	-35°C~50°C / 10% ~ 95% (humidity)
CRI	≥ 70 or ≥ 80	Body parts material	Die cast Aluminum
Color temperature	3000K, 4000K, Amber color	Optic	PC (standard) / PMMA (option)
Operation voltage	AC 90-305V or AC 220-240V	Screen	Flat tempered glass 5mm thickness
Frequency	50 / 60Hz	Gasket	Silicone
Power factor	≥0.95 cos	Color stability	3 or 5 MacAdam steps

Details



Optics available



Chip	LED QTY	Lens QTY	Power (W)	Luminaire output flux (lm)	Luminaire efficacy (lm/W)
5050	36	9	60	9000	150
5050	36	9	70	10500	150
5050	36	9	80	12000	150
5050	48	12	90	13500	150
5050	48	12	100	15000	150
5050	48	12	110	16500	150
5050	48	12	120	18000	150
5050	72	18	130	19500	150
5050	72	18	140	21000	150
5050	72	18	150	22500	150

* 5050: LUMILEDS 5050; 3535: CREE XPG3; 3030: LUMILEDS 3030

Lm: This data is tested under normal working condition, the actual data will depends on environment condition, optics/diffuser and CCT.

Suna

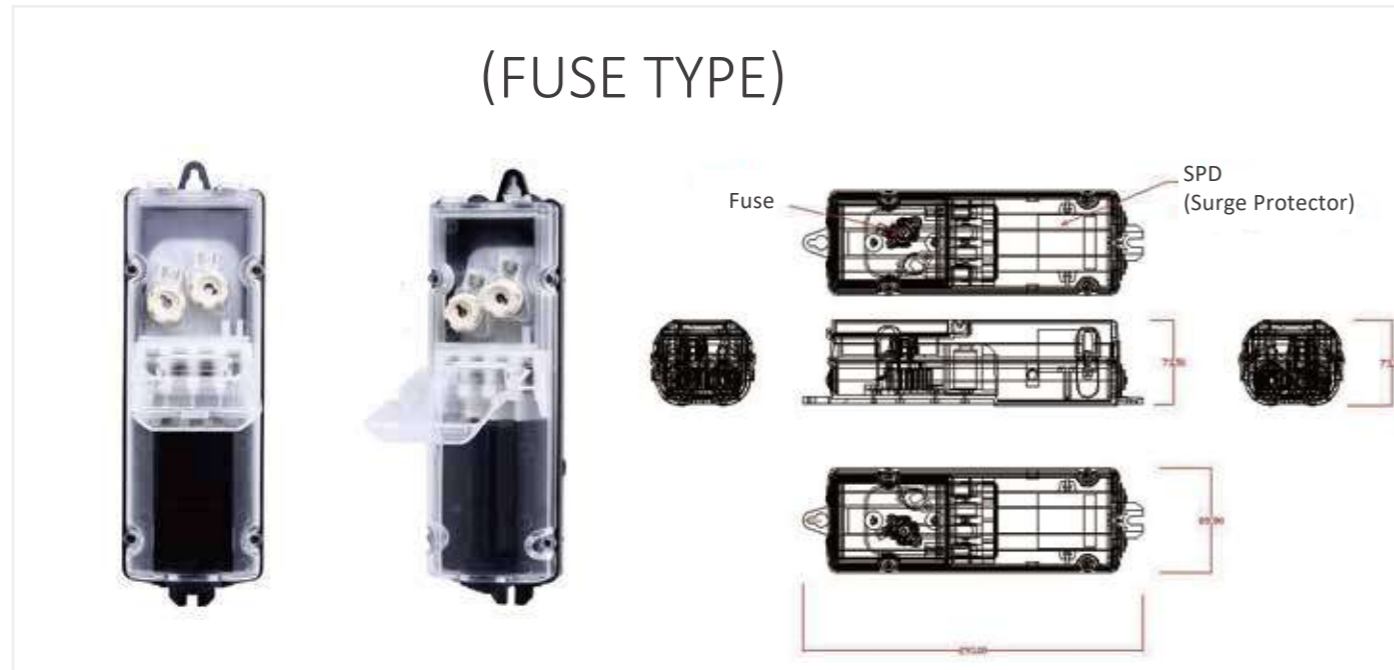


Technical information

Power(W)	1 days' total power consumption(W)	2 days' total power consumption(W)	2 days' + extra capacity buffer(W)	Total battery capacity required	Battery Option	Solar Panel
40	252	504	579.6	12.8V/45AH	12.8V/42AH	18V160W
50	315	630	724.5	12.8V/56AH	12.8V/54AH	18V160W
60	378	756	869.4	12.8V/66AH	25.6V/33AH	36V250W
70	441	882	1014.3	12.8V/79AH	25.6V/39AH	36V280W
80	504	1008	1159.2	25.6V/45AH	25.6V/45AH	36V320W



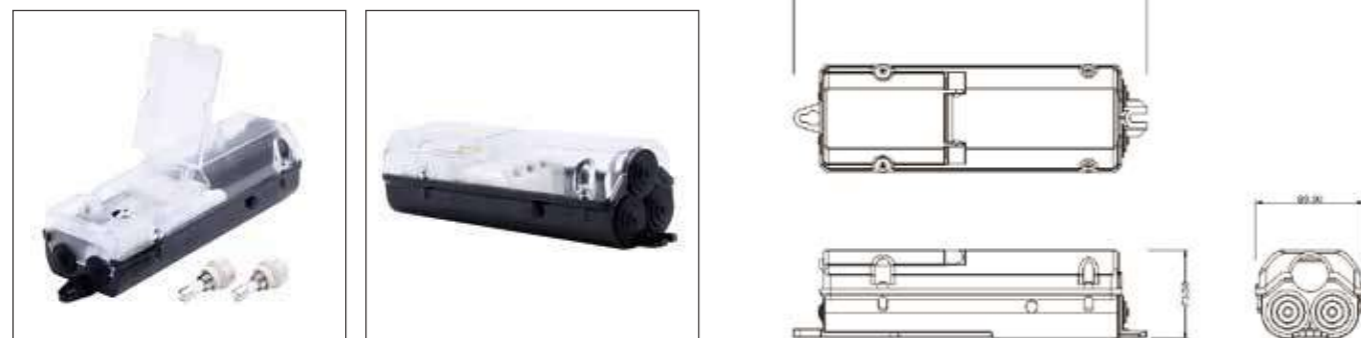
Wiring box



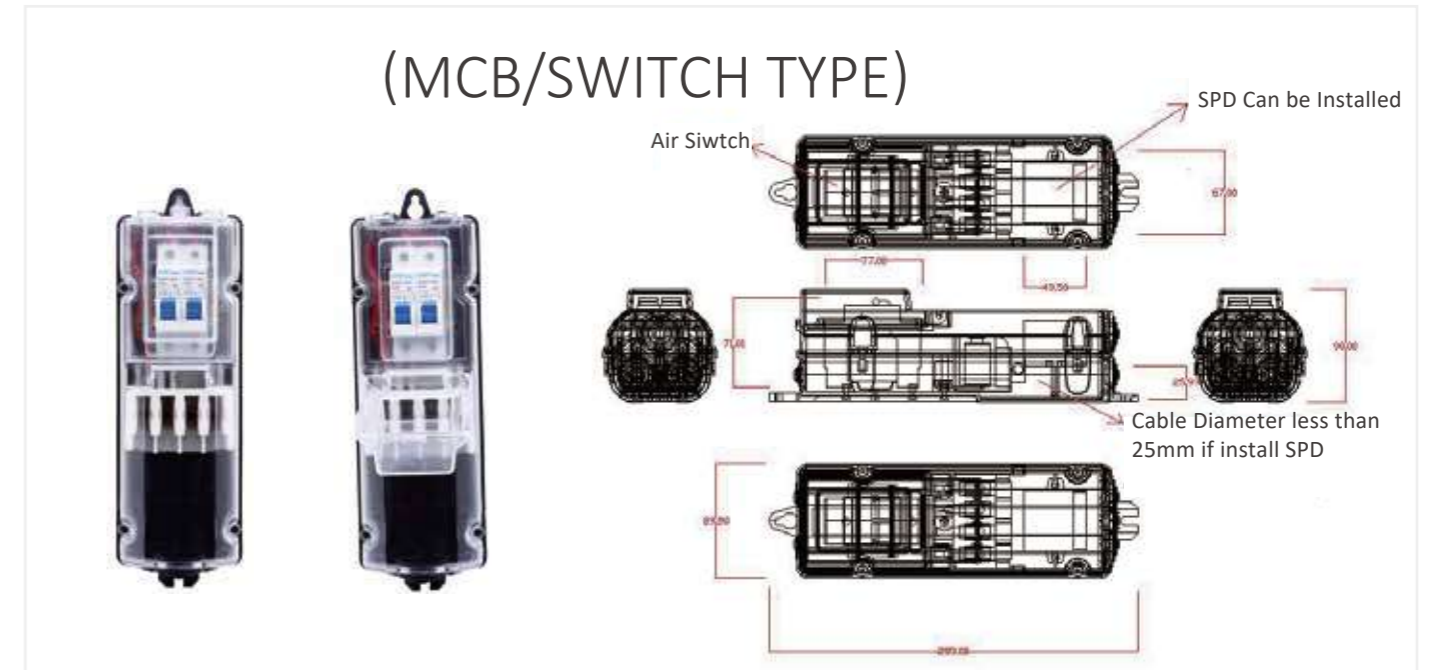
Technical information

Parameter	Technical data	Parameter	Technical data
Color	Black box with transparent cover	Connect method	M3 screws and
Ampere	Input 80A, Output 16A	Box fixing method	Fixing lugs
Voltage	Input 500VAC, Output 450VAC	Housing material	PC V2 Fire Retardant
Cross section	4 ~ 35mm ²	IP code	IP54
Conductor fixing material	PA66	Working temperature	T110
Conductor material	H62 copper x4	Certificate	CE

Details



Wiring box

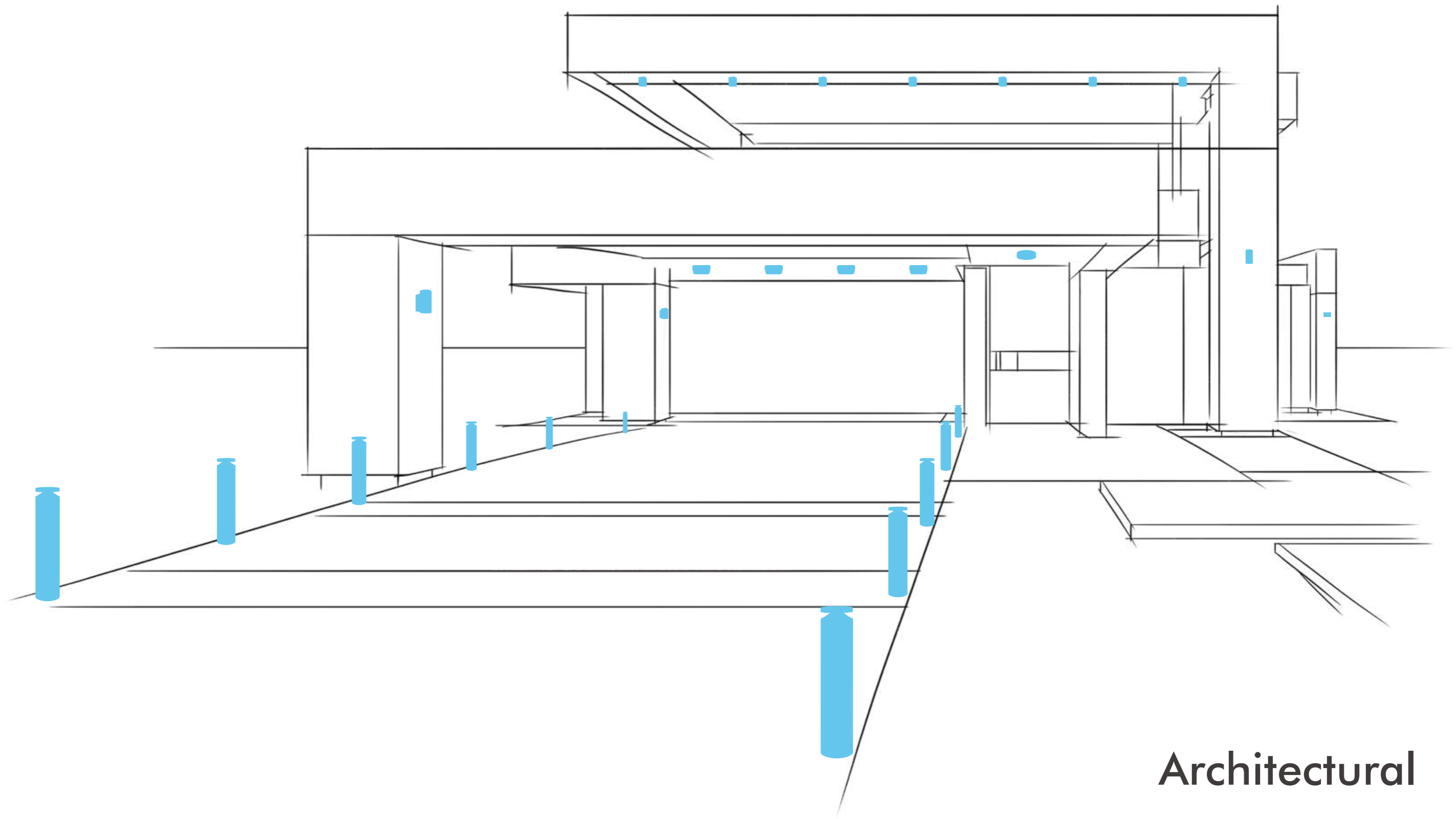


Technical information

Parameter	Technical data	Parameter	Technical data
Color	Black box with transparent cover	Connect method	M3 screws and
Ampere	Input 80A, Output 16A	Box fixing method	Fixing lugs
Voltage	Input 500VAC, Output 450VAC	Housing material	PC V2 Fire Retardant
Cross section	4 ~ 35mm ²	IP code	IP54
Conductor fixing material	PA66	Working temperature	T110
Conductor material	H62 copper x4	Certificate	CE

Details





Architectural

Patented design



Details



Surface mount plate



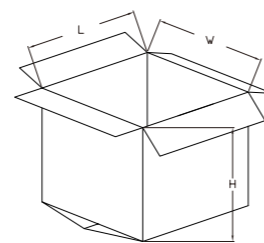
Ground spike

Technical information

Parameter	Technical data	Parameter	Technical data
Lifetime	Up to 100,000hrs LM70,Ta 25 C	Driver isolation	Class I
Wattags	20~40W	Control dimming	DALI / 1-10V / Timing / PWM
Light efficacy	Up to 113lm/W	Operating temperature	-35°C~50°C / 10% ~ 95% (humidity)
CRI	≥ 70 or ≥ 80	Body parts material	ADC12 (standard)
Color temperature	3000K, 4000K, 5000K, 6500K	Optic	PC (standard)
Operation voltage	AC 220-240V	Screen	Flat tempered glass 5mm thickness
Frequency	50 / 60Hz	Gasket	Silicone
Power factor	≥0.95 cos	Color stability	3 or 5 MacAdam steps

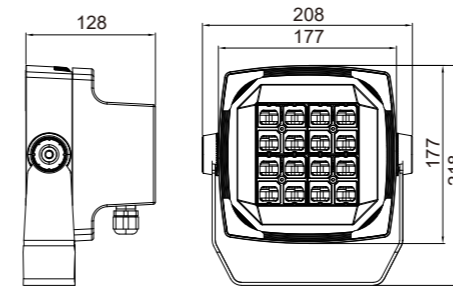
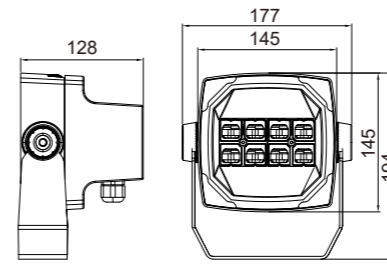
Packing Information

Model	Carton Size(L*W*H)	QTY/Carton	N.W.(kg)	G.W.(kg)
OLI	260*280*150mm	1	6.0	6.5



Oli

Details



Chip	LED QTY	Lens QTY	Power (W)	Luminaire output flux (lm)	Luminaire efficacy (lm/W)
5050	8	1	20	2260	113

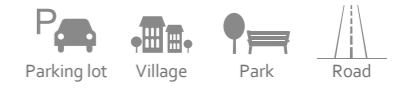
Chip	LED QTY	Lens QTY	Power (W)	Luminaire output flux (lm)	Luminaire efficacy (lm/W)
5050	16	1	40	4520	113



* 5050: LUMILEDS 5050; 3535: CREE XPG3; 3030: LUMILEDS 3030

Lm: This data is tested under normal working condition, the actual data will depends on environment condition, optics/diffuser and CCT.

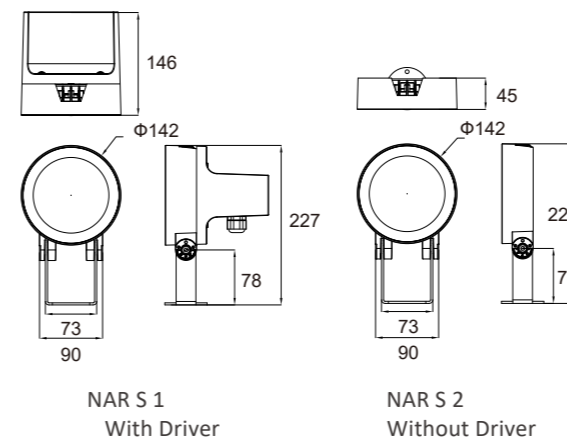
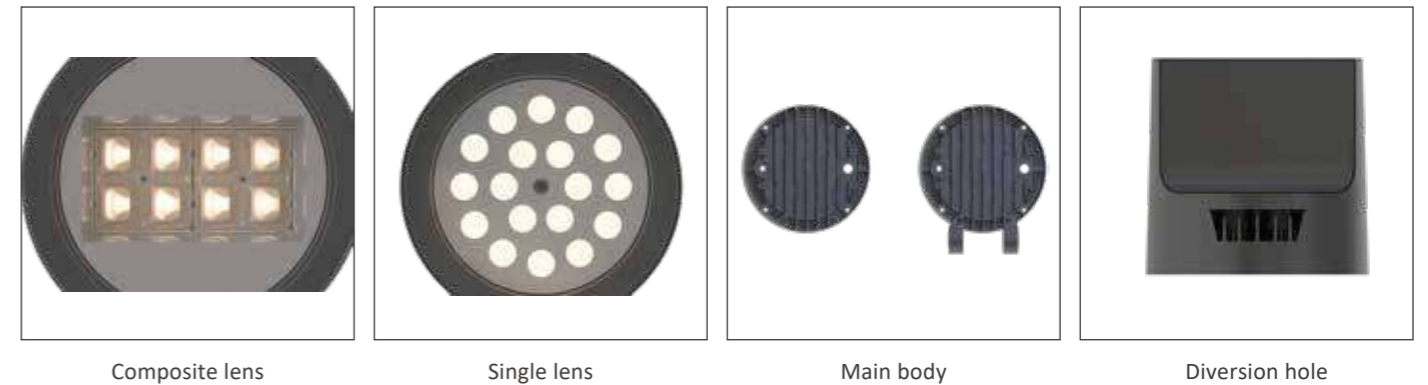
Nar



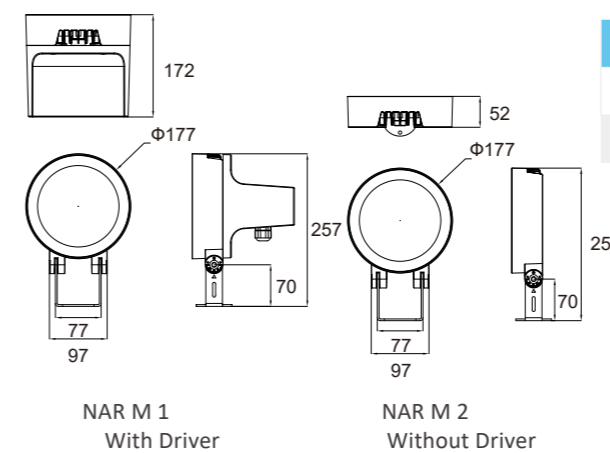
Patented design



Details



Chip	LED QTY	Lens QTY	Power (W)	Luminaire output flux (lm)	Luminaire efficacy (lm/W)
5050	8	1	10	1100	110
5050	20	1	20	2200	110



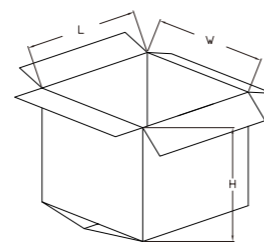
Chip	LED QTY	Lens QTY	Power (W)	Luminaire output flux (lm)	Luminaire efficacy (lm/W)
5050	16	1	20	2200	110
5050	32	1	40	4400	110

Technical information

Parameter	Technical data	Parameter	Technical data
Lifetime	Up to 100,000hrs LM70, Ta 25 C	Driver isolation	Class I
Wattags	10~40W	Control dimming	ON/OFF / DALI / RGB
Light efficacy	Up to 110lm/W	Operating temperature	-35°C~50°C / 10% ~ 95% (humidity)
CRI	≥ 70 or ≥ 80	Body parts material	ADC12 (standard)
Color temperature	3000K, 4000K, 5000K, 6500K	Optic	PC (standard)
Operation voltage	AC 220-240V	Screen	Flat tempered glass 5mm thickness
Frequency	50 / 60Hz	Gasket	Silicone
Power factor	≥0.95 cos	Color stability	3 or 5 MacAdam steps

Packing Information

Model	Carton Size(L*W*H)	QTY/Carton	N.W.(kg)	G.W.(kg)
NAR	260*280*150mm	1	6.0	6.5



* 5050: LUMILEDS 5050; 3535: CREE XPG3; 3030: LUMILEDS 3030

Lm: This data is tested under normal working condition, the actual data will depends on environment condition, optics/diffuser and CCT.

Nar

Dimensions



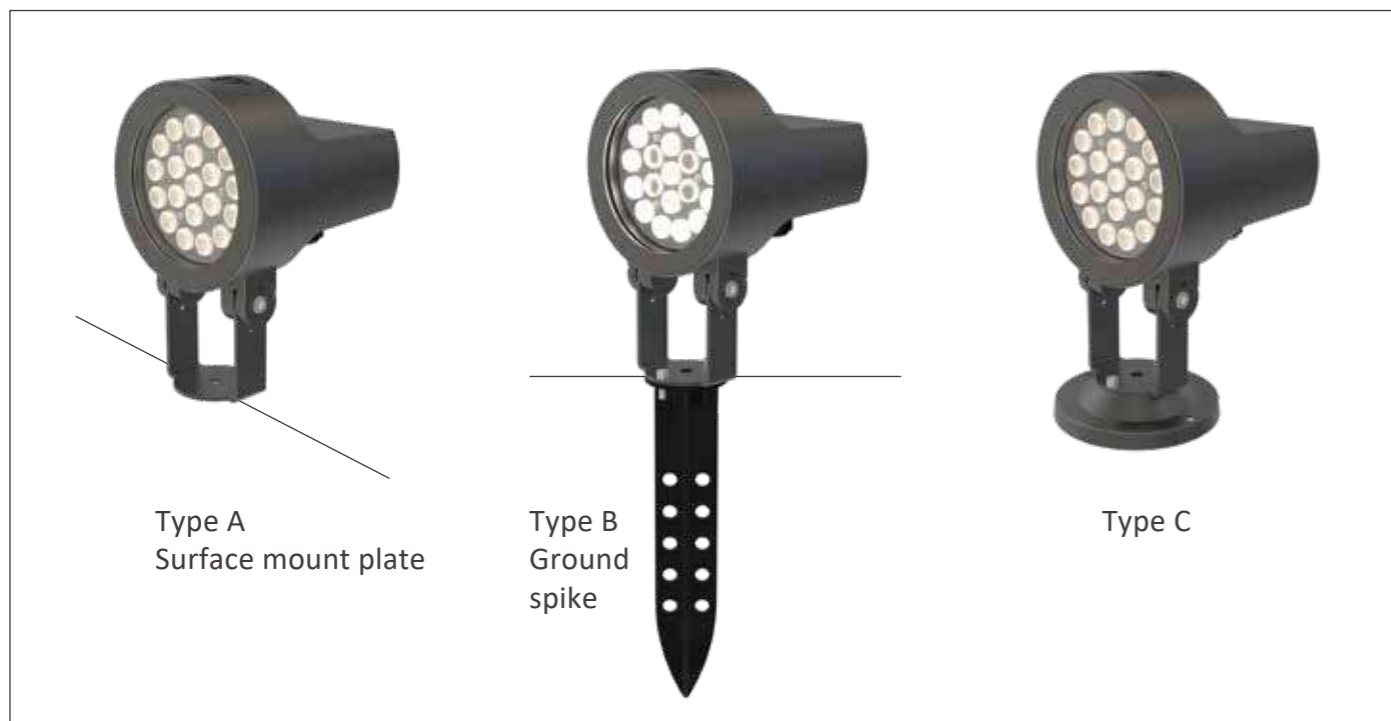
With Driver



Without Driver



Installation diagram



Bollard light

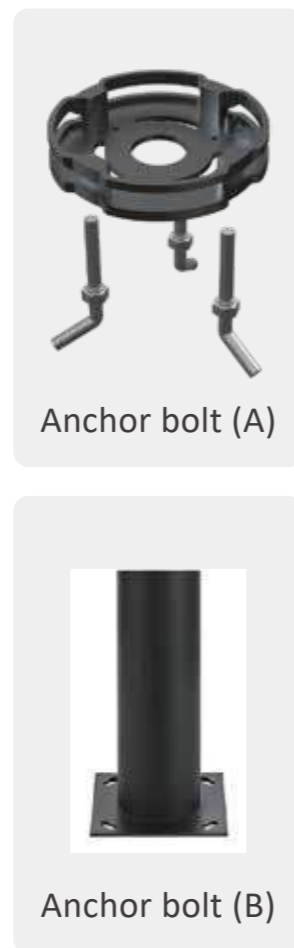
Head be fit for $\varnothing 170\text{mm}$



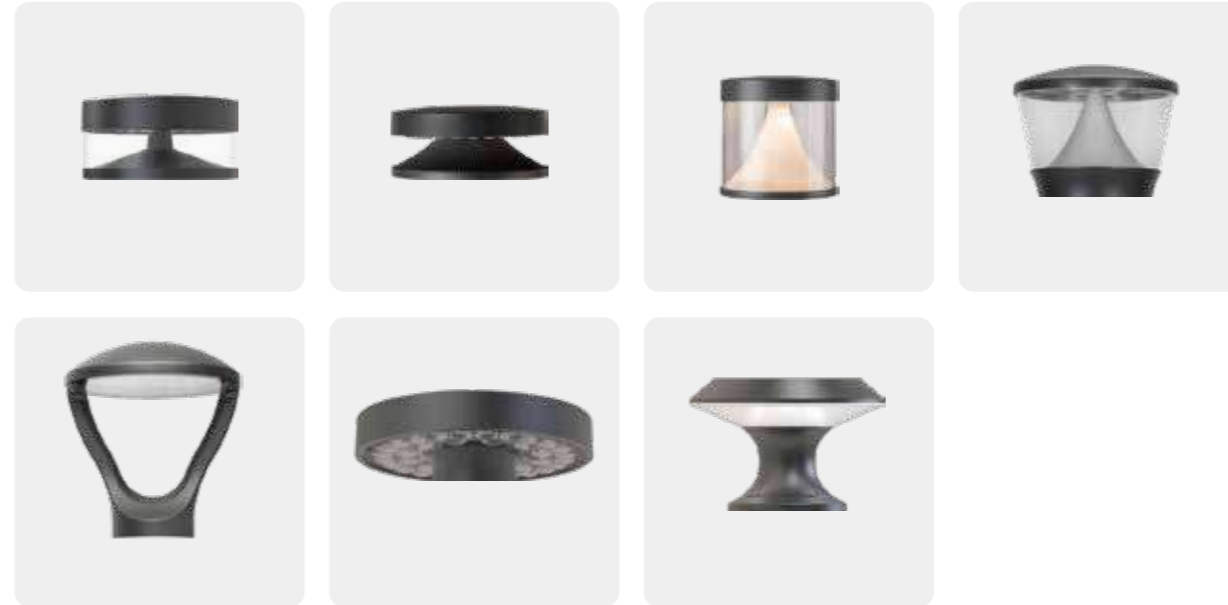
Body



Installation



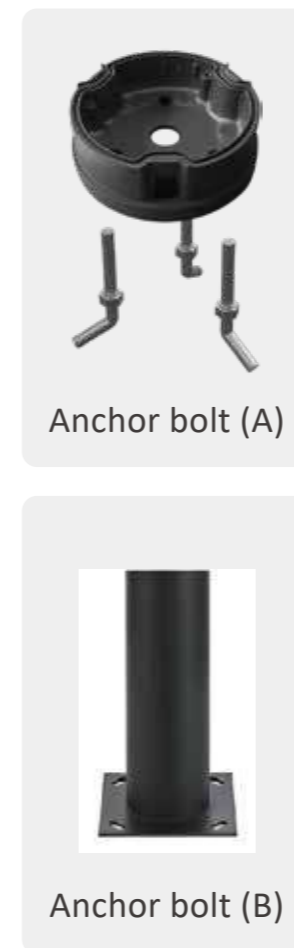
Head be fit for $\varnothing 100\text{mm}$



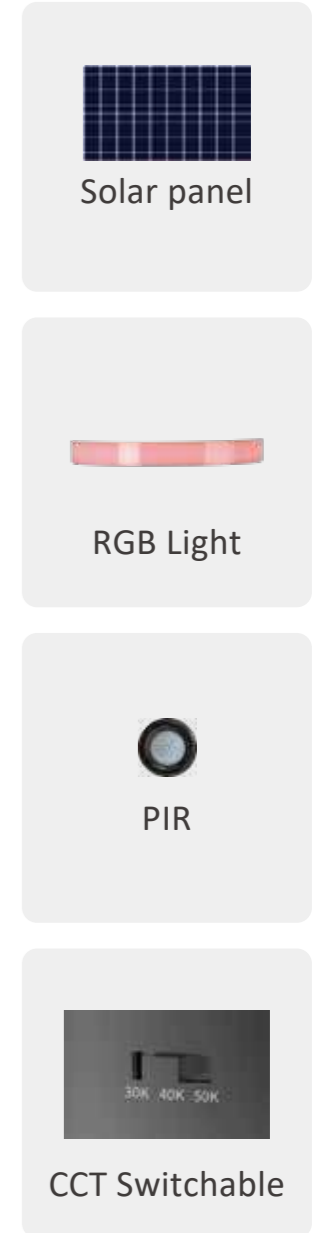
Body



Installation



Options



Arte

RGB Control



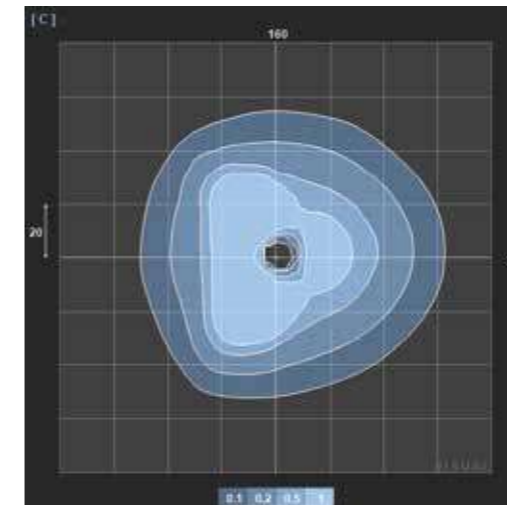
Infrared sensor system



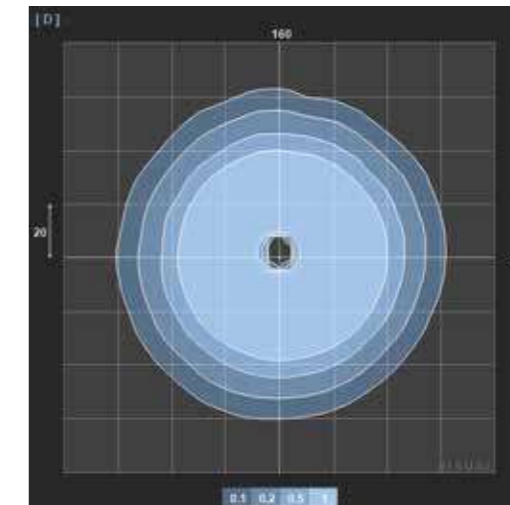
With good sensitivity detector and integrated circuit. It gathers automatism, convenience, safety, saving-energy and practical functions. It utilizes the infrared energy from human as control-signal source and it can start the load at once when one enters detection field. It can identify day and night automatically.



Optics available



G11C36-T3



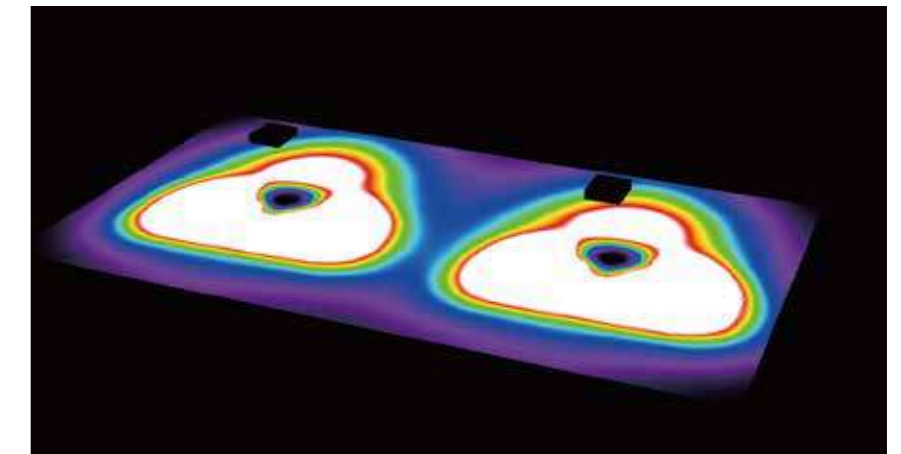
G12C36-T5

About Application

Example lighting levels

Typical result at 4m spacing, on a 5m wide path - designed to achieve P lighting classes.

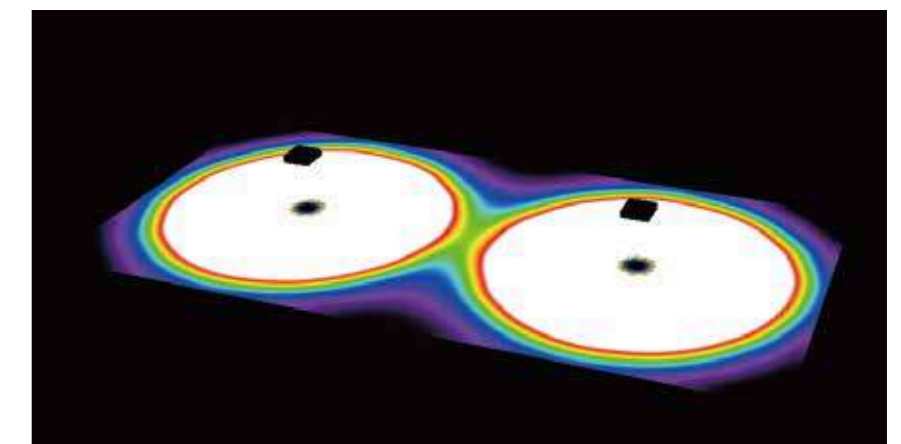
Optice	G11C36-T3
Lighting Class	P3
Light pole height	0.9m
Eav	41lx
Emin	2.09lx



Example lighting levels

Typical result at 5m spacing, on a 5m wide path - designed to achieve P lighting classes.

Optice	G11C36-T5
Lighting Class	P3
Light pole height	0.9m
Eav	35lx
Emin	1.32lx

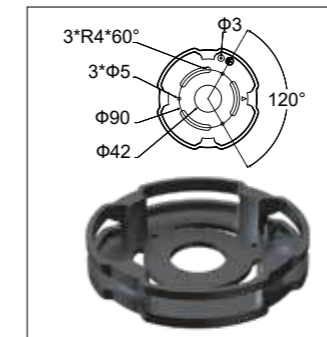


Arte

Patented design



Details



Base (optional)



Anchor bolt (optional)



RGB (optional)

- 1 - PCB Board
- 2 - PC Lens
- 3 - Reflecting Surface
- 4 - Die-casting Aluminium Alloy HeatSing
- 5 - Gear Box
- 6 - Water-proof Junction Box(Optional)
- 7 - Extruded aluminum stem
- 8 - Base Plate



Technical information

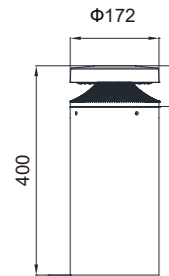
Parameter	Technical data	Parameter	Technical data
Insulation class	Class I or Class II	Screen	PC
Operating temperature	-20°C~50°C / 10%~95% (humidity)	Gasket	Silicone
Body parts material	Aluminum	Color stability	5 MacAdam steps
Light control	Optic	IP & IK Rating	IP65 & IK09

Packing Information

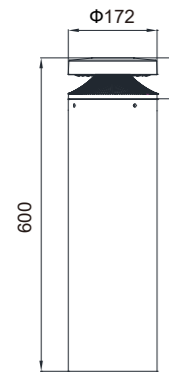
Model	Outer Carton Size L*W*H	QTY / Outer Carton	N.W. (kg)	G.W. (kg)
Arte 1	420*200*220mm	1	4.2	4.5
Arte 2	620*200*220mm	1	5.1	5.6
Arte 3	920*200*220mm	1	6.7	7.5



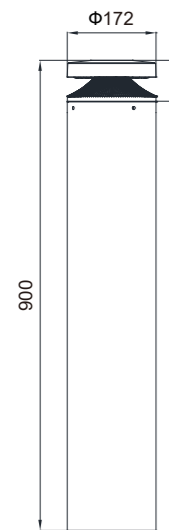
Arte



CCT	CRI	Power (W)	Luminaire output flux (lm)	Luminaire efficacy (lm/W)	Input voltage	Dimming
3000K	>80	15	675	45	AC 220-240V	DALI
3000K	>80	15	675	45	AC 220-240V	ON/OFF
3000K	>80	25	1125	45	AC 220-240V	DALI
3000K	>80	25	1125	45	AC 220-240V	ON/OFF



CCT	CRI	Power (W)	Luminaire output flux (lm)	Luminaire efficacy (lm/W)	Input voltage	Dimming
3000K	>80	15	675	45	AC 220-240V	DALI
3000K	>80	15	675	45	AC 220-240V	ON/OFF
3000K	>80	25	1125	45	AC 220-240V	DALI
3000K	>80	25	1125	45	AC 220-240V	ON/OFF



CCT	CRI	Power (W)	Luminaire output flux (lm)	Luminaire efficacy (lm/W)	Input voltage	Dimming
3000K	>80	15	675	45	AC 220-240V	DALI
3000K	>80	15	675	45	AC 220-240V	ON/OFF
3000K	>80	25	1125	45	AC 220-240V	DALI
3000K	>80	25	1125	45	AC 220-240V	ON/OFF



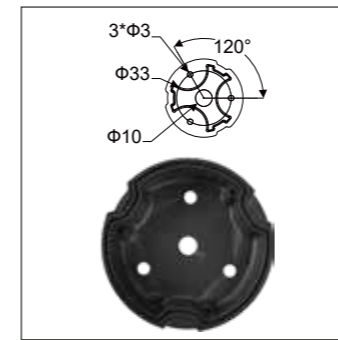
Lm: This data is tested under normal working condition, the actual data will depends on environment condition, optics/diffuser and CCT.

Arte S

Patented design



Details

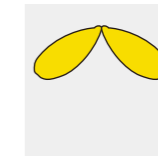


Base (optional)



Anchor bolt (optional)

Optics available



Packing Information

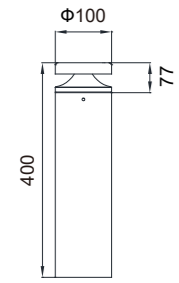
Model	Inner Carton Size L*W*H	QTY / Inner Carton	N.W. (kg)	G.W. (kg)	Outer Carton Size L*W*H	QTY / Outer Carton	N.W. (kg)	G.W. (kg)
Arte S 1	410*110*110mm	1	2	2.1	420*340*230mm	6	12	12.6
Arte S 2	610*110*110mm	1	2.5	2.65	620*340*230mm	6	15	15.9
Arte S 3	910*110*110mm	1	3	3.2	920*340*230mm	6	18	20.3
Arte S AP	185*115*275mm	1	1.2	1.5	475*385*240mm	8	9.6	13.0

CE CB IP65 IK09

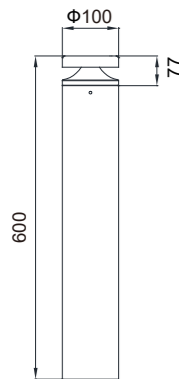
Technical information

Parameter	Technical data	Parameter	Technical data
Insulation class	Class I	Screen	PC
Operating temperature	-20°C~50°C / 10% ~ 95% (humidity)	Gasket	Silicone
Body parts material	Aluminum	Color stability	5 MacAdam steps
Light control	Optic / Diffuser	IP & IK Rating	IP65 & IK09

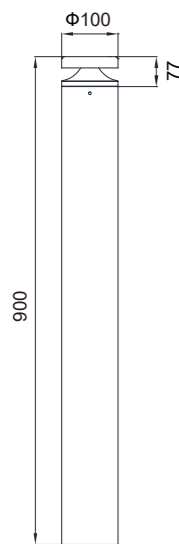
Arte S



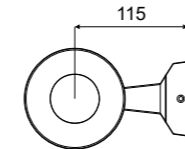
CCT	CRI	Power (W)	Luminaire output flux (lm)	Luminaire efficacy (lm/W)	Input voltage	Dimming
3000K	>80	12	780	65	AC 220-240V	ON/OFF



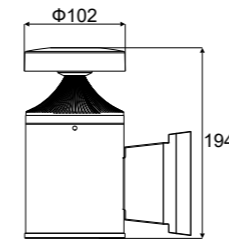
CCT	CRI	Power (W)	Luminaire output flux (lm)	Luminaire efficacy (lm/W)	Input voltage	Dimming
3000K	>80	12	780	65	AC 220-240V	ON/OFF



CCT	CRI	Power (W)	Luminaire output flux (lm)	Luminaire efficacy (lm/W)	Input voltage	Dimming
3000K	>80	12	780	65	AC 220-240V	ON/OFF



CCT	CRI	Power (W)	Luminaire output flux (lm)	Luminaire efficacy (lm/W)	Input voltage	Dimming
3000K	>80	12	780	65	AC 220-240V	ON/OFF



Lm: This data is tested under normal working condition, the actual data will depends on environment condition, optics/diffuser and CCT.

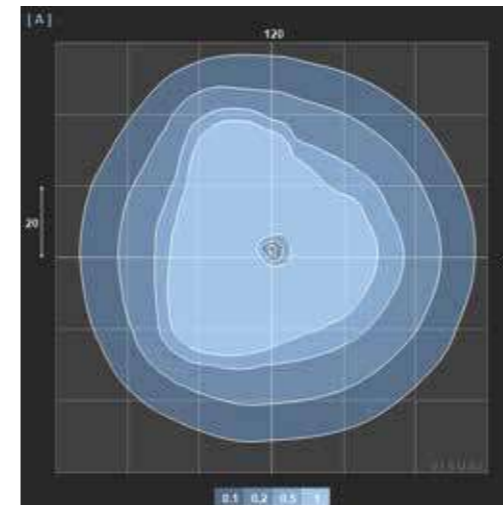
Acuarela



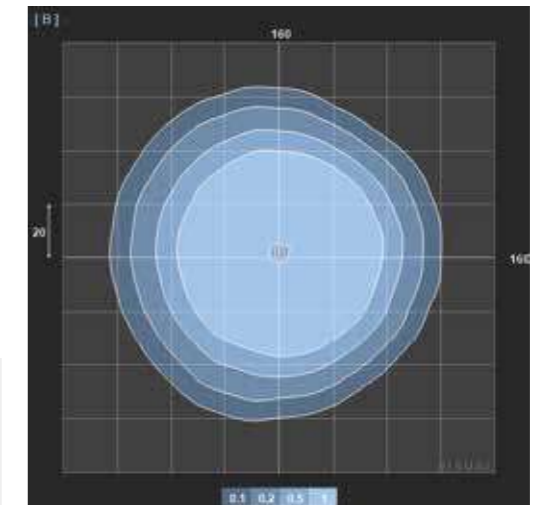
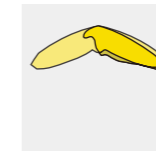
Bollard with and without sensors: combinable and groupable - light only on the path sections where it is needed.
 Minimized light pollution: light only where it should and only when it is needed: through asymmetric light distribution and PIR sensors.
 Warm white light - with 3,000K, the Crius series luminaires are particularly insect-friendly. Easy to assemble, flexible in fixing: thanks to elongated holes, flexible in attachment even with imprecise screw-on points and easy and precise to align. Save energy, reduce costs, protect the climate: keep costs low in the long term and protect the environment through high efficiency and a long service life.

Sales Excluded: Germany, Austria, Switzerland, Denmark, Norway, Finland.

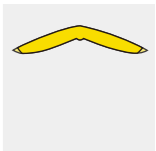
Optics available



G11C36-T3



G12C36-T5

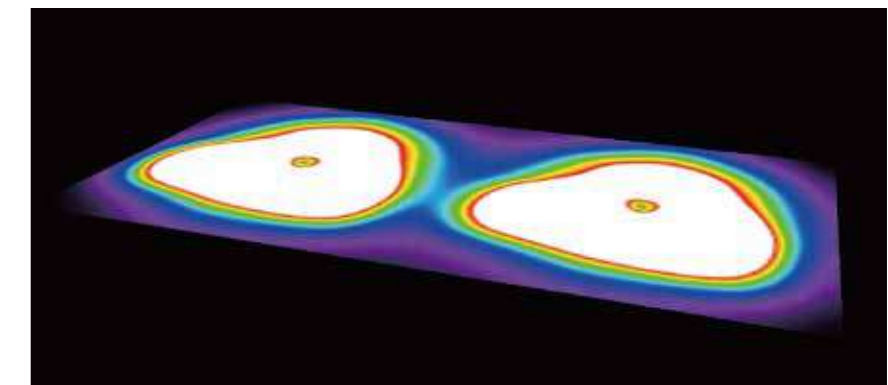


About Application

Example lighting levels

Typical result at 4m spacing, on a 5m wide path - designed to achieve P lighting classes.

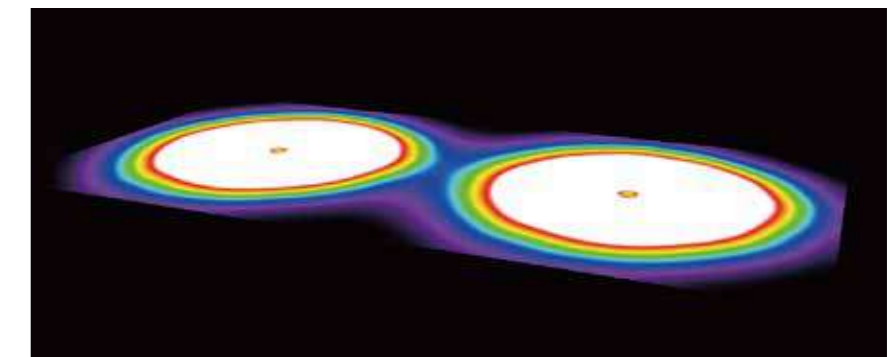
Optice	G11C36-T3
Lighting Class	P3
Light pole height	0.9m
Eav	52lx
Emin	2.58lx



Example lighting levels

Typical result at 5m spacing, on a 5m wide path - designed to achieve P lighting classes.

Optice	G11C36-T5
Lighting Class	P3
Light pole height	0.9m
Eav	39lx
Emin	1.29lx



Acuarela

Patented design



Technical information

Parameter	Technical data	Parameter	Technical data
Insulation class	Class I	Screen	PC
Operating temperature	-20°C~50°C / 10% ~ 95% (humidity)	Gasket	Silicone
Body parts material	Aluminum	Color stability	5 MacAdam steps
Light control	Optic	IP & IK Rating	IP65 & IK09

Details



Water-proof Junction Box(Optional)

Base (optional)



Anchor bolt (optional)



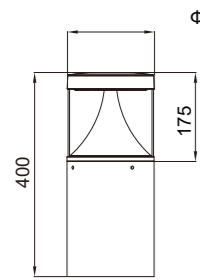
Reflector (optional)



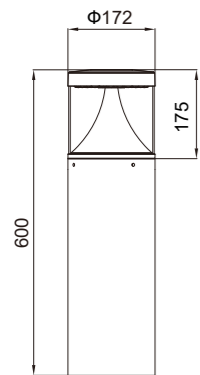
Packing Information

Model	Outer Carton Size L*W*H	QTY / Outer Carton	N.W. (kg)	G.W. (kg)
Acuarela 1	420*200*220mm	1	4.22	4.5
Acuarela 2	620*200*220mm	1	5.3	5.8
Acuarela 3	920*200*220mm	1	6.92	7.8

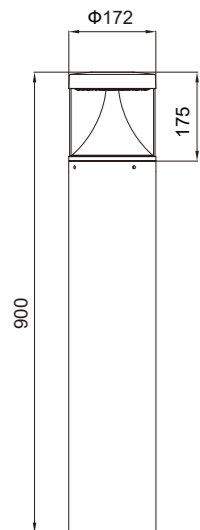
Acuarela



CCT	CRI	Power (W)	Luminaire output flux (lm)	Luminaire efficacy (lm/W)	Input voltage	Dimming
3000K	>80	15	1500	100	AC 220-240V	DALI
3000K	>80	15	1500	100	AC 220-240V	ON/OFF
3000K	>80	25	2250	90	AC 220-240V	DALI
3000K	>80	25	2250	90	AC 220-240V	ON/OFF



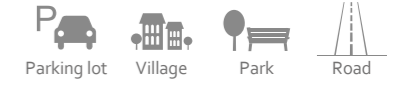
CCT	CRI	Power (W)	Luminaire output flux (lm)	Luminaire efficacy (lm/W)	Input voltage	Dimming
3000K	>80	15	1500	100	AC 220-240V	DALI
3000K	>80	15	1500	100	AC 220-240V	ON/OFF
3000K	>80	25	2250	90	AC 220-240V	DALI
3000K	>80	25	2250	90	AC 220-240V	ON/OFF



CCT	CRI	Power (W)	Luminaire output flux (lm)	Luminaire efficacy (lm/W)	Input voltage	Dimming
3000K	>80	15	1500	100	AC 220-240V	DALI
3000K	>80	15	1500	100	AC 220-240V	ON/OFF
3000K	>80	25	2250	90	AC 220-240V	DALI
3000K	>80	25	2250	90	AC 220-240V	ON/OFF

Lm: This data is tested under normal working condition, the actual data will depends on environment condition, optics/diffuser and CCT.

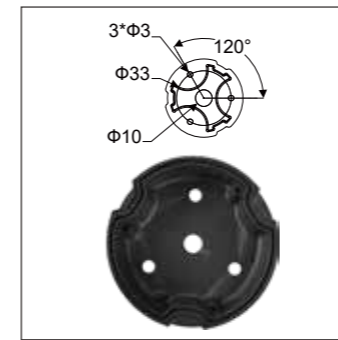
Acuarela S



Patented design



Details

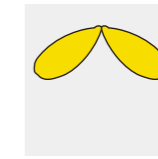


Base (optional)



Anchor bolt (optional)

Optics available



Packing Information

Model	Inner Carton Size L*W*H	QTY / Inner Carton	N.W. (kg)	G.W. (kg)	Outer Carton Size L*W*H	QTY / Outer Carton	N.W. (kg)	G.W. (kg)
Acuarela S 1	410*110*110mm	1	2	2.2	420*230*350mm	6	12	13.2
Acuarela S 2	610*110*110mm	1	2.4	2.6	620*230*350mm	6	14.4	15.6
Acuarela S 3	910*110*110mm	1	3	3.2	920*230*350mm	6	18	20.3
Acuarela S AP	185*115*275mm	1	1.5	1.8	475*385*295mm	8	12	15.2

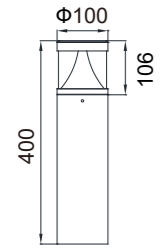
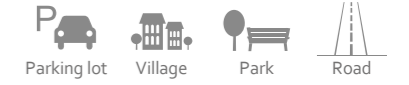
CE CB IP65 IK09

Technical information

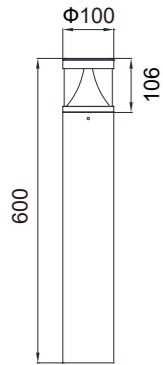
Parameter	Technical data	Parameter	Technical data
Insulation class	Class I	Screen	PC
Operating temperature	-20°C~50°C / 10%~95% (humidity)	Gasket	Silicone
Body parts material	Aluminum	Color stability	5 MacAdam steps
Light control	Optic / Diffuser	IP & IK Rating	IP65 & IK09

Lm: This data is tested under normal working condition, the actual data will depends on environment condition, optics/diffuser and CCT.

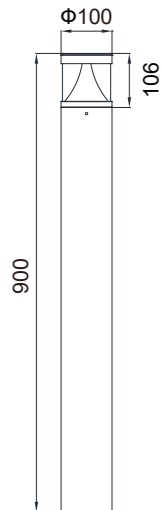
Acuarela S



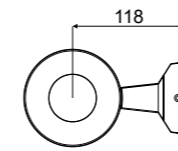
CCT	CRI	Power (W)	Luminaire output flux (lm)	Luminaire efficacy (lm/W)	Input voltage	Dimming
3000K	>80	12	1320	110	AC 220-240V	ON/OFF



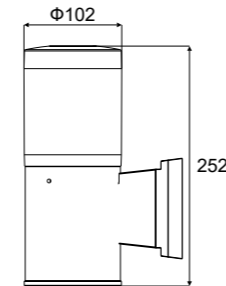
CCT	CRI	Power (W)	Luminaire output flux (lm)	Luminaire efficacy (lm/W)	Input voltage	Dimming
3000K	>80	12	1320	110	AC 220-240V	ON/OFF



CCT	CRI	Power (W)	Luminaire output flux (lm)	Luminaire efficacy (lm/W)	Input voltage	Dimming
3000K	>80	12	1320	110	AC 220-240V	ON/OFF



CCT	CRI	Power (W)	Luminaire output flux (lm)	Luminaire efficacy (lm/W)	Input voltage	Dimming
3000K	>80	12	1320	110	AC 220-240V	ON/OFF



Lm: This data is tested under normal working condition, the actual data will depends on environment condition, optics/diffuser and CCT.

Llar

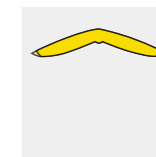
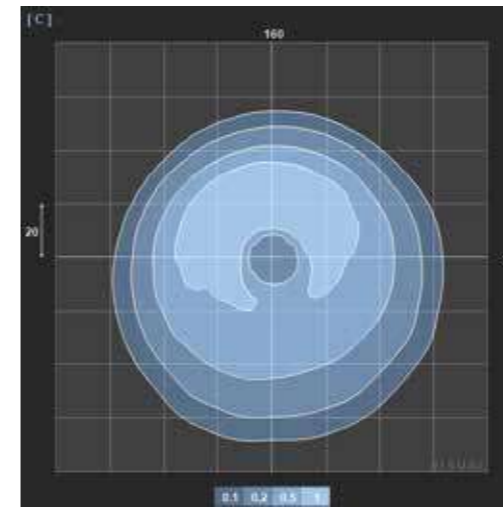
Patented design



Technical information

Parameter	Technical data	Parameter	Technical data
Insulation class	Class I	Screen	PC
Operating temperature	-20°C~50°C / 10% ~ 95% (humidity)	Gasket	Silicone
Body parts material	Aluminum	Color stability	5 MacAdam steps
Light control	Optic / Diffuser	IP & IK Rating	IP65 & IK09

Optics available



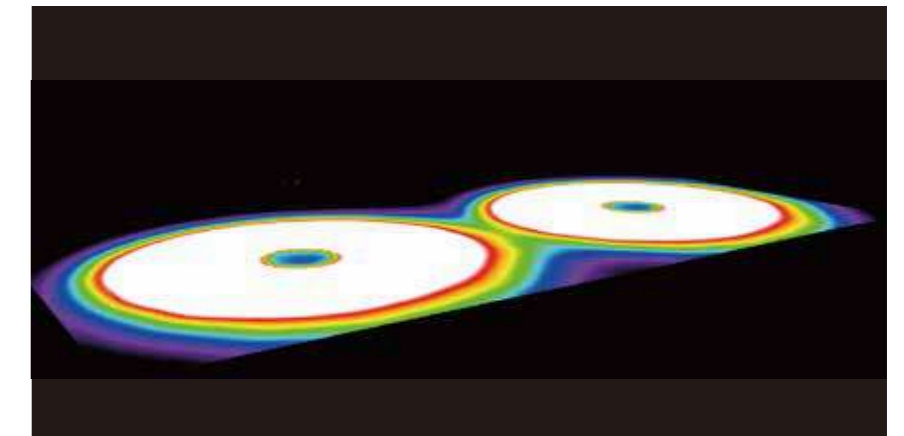
G12C36-T5

About Application

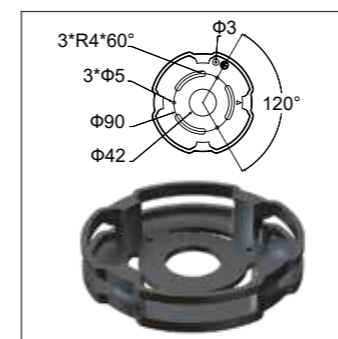
Example lighting levels

Typical result at 5m spacing, on a 5m wide path - designed to achieve P lighting classes.

Optice	G12C36-T5
Lighting Class	P3
Light pole height	0.9m
Eav	21lx
Emin	0.71lx



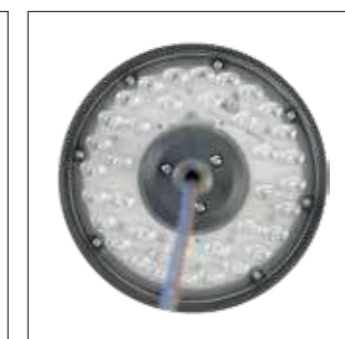
Details



Base (optional)



Anchor bolt (optional)

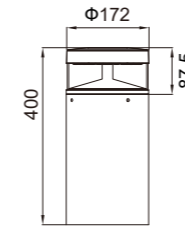


Optic

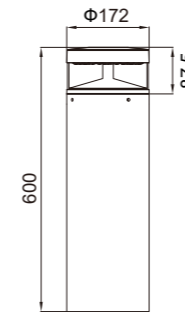
Packing Information

Model	Outer Carton Size L*W*H	QTY / Outer Carton	N.W. (kg)	G.W. (kg)
Llar 1	420*195*220mm	1	3.8	4.4
Llar 2	620*195*220mm	1	5.2	5.8
Llar 3	920*195*220mm	1	6.3	7.0

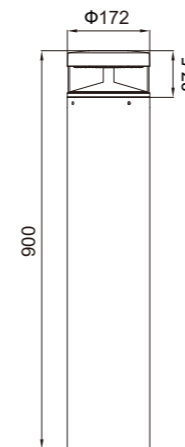
Llar



CCT	CRI	Power (W)	Luminaire output flux (lm)	Luminaire efficacy (lm/W)	Input voltage	Dimming
3000K	>80	15	900	60	AC 220-240V	DALI
3000K	>80	15	900	60	AC 220-240V	ON/OFF
3000K	>80	25	1375	55	AC 220-240V	DALI
3000K	>80	25	1375	55	AC 220-240V	ON/OFF



CCT	CRI	Power (W)	Luminaire output flux (lm)	Luminaire efficacy (lm/W)	Input voltage	Dimming
3000K	>80	15	900	60	AC 220-240V	DALI
3000K	>80	15	900	60	AC 220-240V	ON/OFF
3000K	>80	25	1375	55	AC 220-240V	DALI
3000K	>80	25	1375	55	AC 220-240V	ON/OFF



CCT	CRI	Power (W)	Luminaire output flux (lm)	Luminaire efficacy (lm/W)	Input voltage	Dimming
3000K	>80	15	900	60	AC 220-240V	DALI
3000K	>80	15	900	60	AC 220-240V	ON/OFF
3000K	>80	25	1375	55	AC 220-240V	DALI
3000K	>80	25	1375	55	AC 220-240V	ON/OFF

Lm: This data is tested under normal working condition, the actual data will depends on environment condition, optics/diffuser and CCT.

Llar M

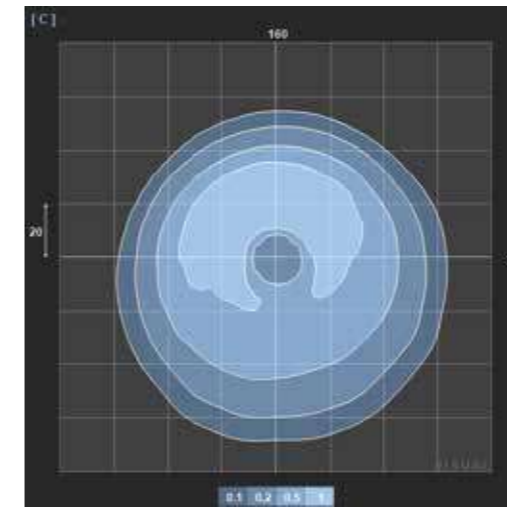
Patented design



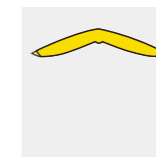
Technical information

Parameter	Technical data	Parameter	Technical data
Insulation class	Class I	Screen	PC
Operating temperature	-20°C~50°C / 10% ~ 95% (humidity)	Gasket	Silicone
Body parts material	Die cast Aluminum	Color stability	5 MacAdam steps
Light control	Optic / Diffuser	IP & IK Rating	IP65 & IK09

Optics available



G12C36-T5

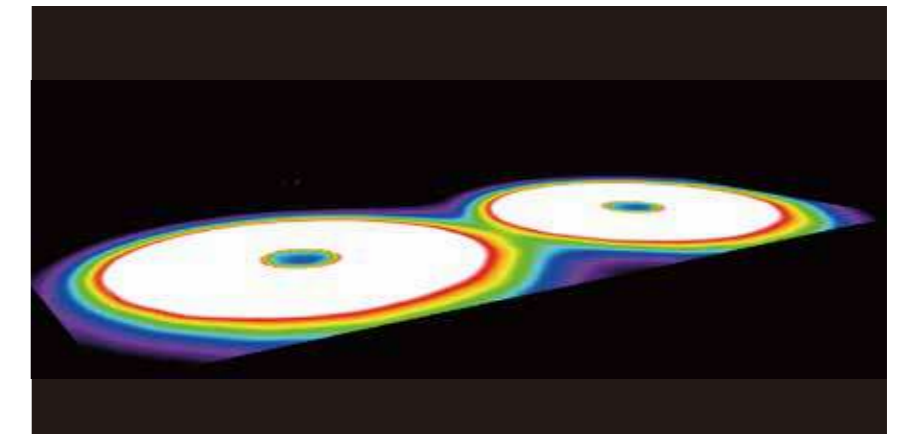


About Application

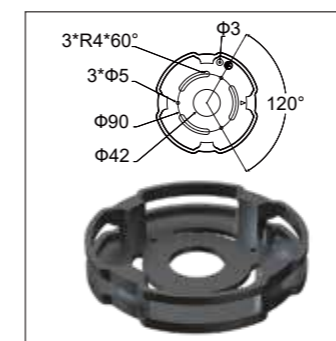
Example lighting levels

Typical result at 5m spacing, on a 5m wide path - designed to achieve P lighting classes.

Optic	G12C36-T5
Lighting Class	P3
Light pole height	0.9m
Eav	21lx
Emin	0.71lx



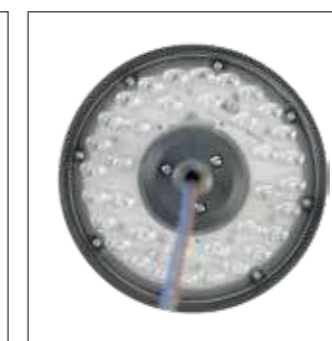
Details



Base (optional)



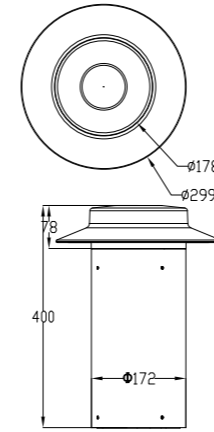
Anchor bolt (optional)



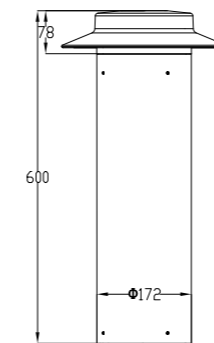
Optic



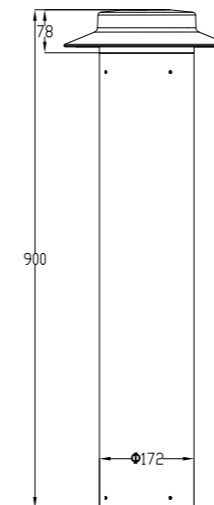
Llar M



CCT	CRI	Power (W)	Luminaire output flux (lm)	Luminaire efficacy (lm/W)	Input voltage	Dimming
3000K	>80	15	900	60	AC 220-240V	DALI
3000K	>80	15	900	60	AC 220-240V	ON/OFF
3000K	>80	25	1375	55	AC 220-240V	DALI
3000K	>80	25	1375	55	AC 220-240V	ON/OFF



CCT	CRI	Power (W)	Luminaire output flux (lm)	Luminaire efficacy (lm/W)	Input voltage	Dimming
3000K	>80	15	900	60	AC 220-240V	DALI
3000K	>80	15	900	60	AC 220-240V	ON/OFF
3000K	>80	25	1375	55	AC 220-240V	DALI
3000K	>80	25	1375	55	AC 220-240V	ON/OFF



CCT	CRI	Power (W)	Luminaire output flux (lm)	Luminaire efficacy (lm/W)	Input voltage	Dimming
3000K	>80	15	900	60	AC 220-240V	DALI
3000K	>80	15	900	60	AC 220-240V	ON/OFF
3000K	>80	25	1375	55	AC 220-240V	DALI
3000K	>80	25	1375	55	AC 220-240V	ON/OFF

Packing Information

Model	Outer Carton Size L*W*H	QTY / Outer Carton	N.W. (kg)	G.W. (kg)
Llar M 1	420*195*220mm	1	3.8	4.4
Llar M 2	620*195*220mm	1	5.2	5.8
Llar M 3	920*195*220mm	1	6.3	7.0

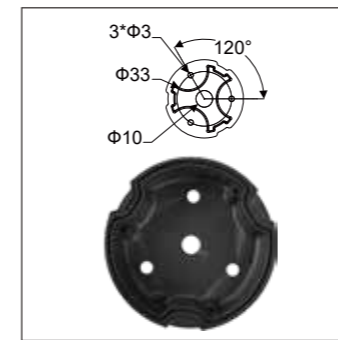
Lm: This data is tested under normal working condition, the actual data will depends on environment condition, optics/diffuser and CCT.

Llar S

Patented design



Details

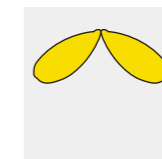


Base (optional)



Anchor bolt (optional)

Optics available



Packing Information

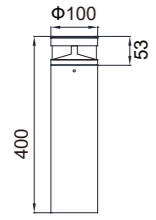
Model	Inner Carton Size L*W*H	QTY / Inner Carton	N.W. (kg)	G.W. (kg)	Outer Carton Size L*W*H	QTY / Outer Carton	N.W. (kg)	G.W. (kg)
Llar S 1	410*110*110mm	1	1.5	1.7	420*230*350mm	6	9.0	10.2
Llar S 2	610*110*110mm	1	1.9	2.1	620*230*350mm	6	11.4	12.6
Llar S 3	910*110*110mm	1	2.6	2.9	920*230*350mm	6	15.6	16.9

CE CB IP65 IK09

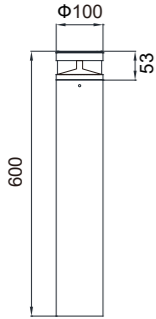
Technical information

Parameter	Technical data	Parameter	Technical data
Insulation class	Class I	Screen	PC
Operating temperature	-20°C~50°C / 10%~95% (humidity)	Gasket	Silicone
Body parts material	Die cast Aluminum	Color stability	5 MacAdam steps
Light control	Optic / Diffuser	IP & IK Rating	IP65 & IK09

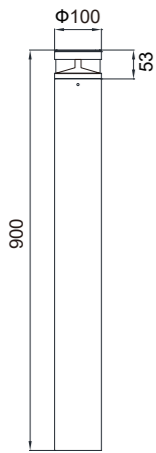
Llar S



CCT	CRI	Power (W)	Luminaire output flux (lm)	Luminaire efficacy (lm/W)	Input voltage	Dimming
3000K	>80	12	852	71	AC 220-240V	ON/OFF



CCT	CRI	Power (W)	Luminaire output flux (lm)	Luminaire efficacy (lm/W)	Input voltage	Dimming
3000K	>80	12	852	71	AC 220-240V	ON/OFF

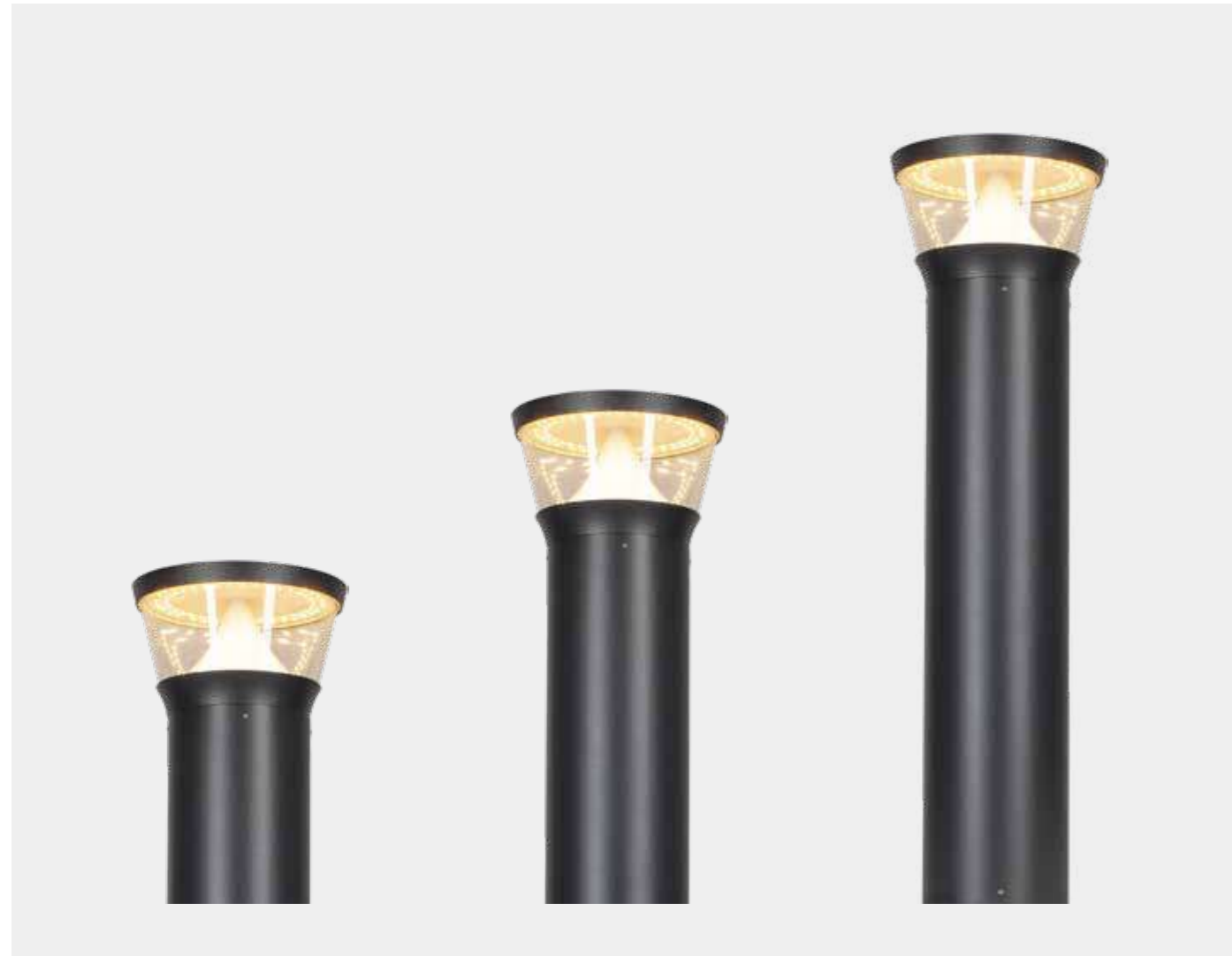


CCT	CRI	Power (W)	Luminaire output flux (lm)	Luminaire efficacy (lm/W)	Input voltage	Dimming
3000K	>80	12	852	71	AC 220-240V	ON/OFF

Lm: This data is tested under normal working condition, the actual data will depends on environment condition, optics/diffuser and CCT.

Flor

Patented design

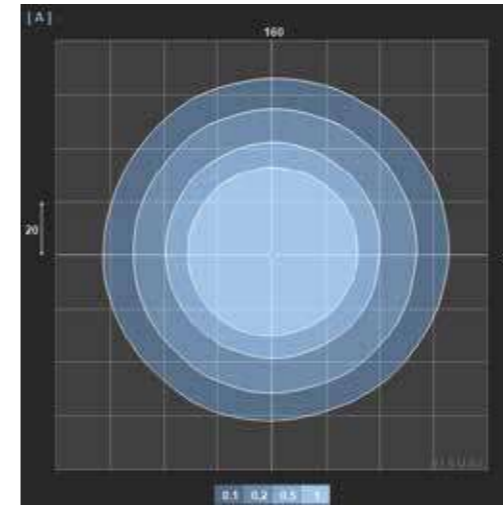


CE CB IP65 IK09

Technical information

Parameter	Technical data	Parameter	Technical data
Insulation class	Class I	Screen	PC
Operating temperature	-20°C~50°C / 10% ~ 95% (humidity)	Gasket	Silicone
Body parts material	Aluminum	Color stability	5 MacAdam steps
Light control	Optic / Diffuser	IP & IK Rating	IP65 & IK09

Optics available

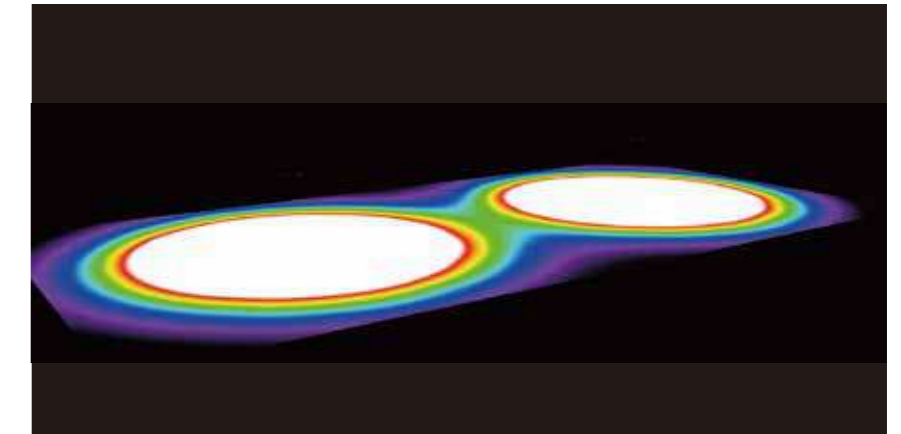


About Application

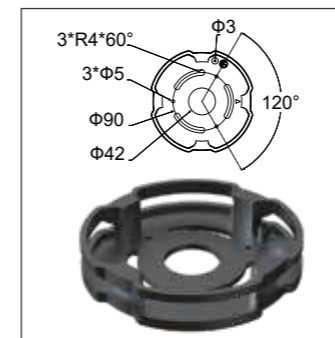
Example lighting levels

Typical result at 5m spacing, on a 5m wide path - designed to achieve P lighting classes.

Optice	/
Lighting Class	P3
Light pole height	0.9m
Eav	32lx
Emin	1.43lx



Details

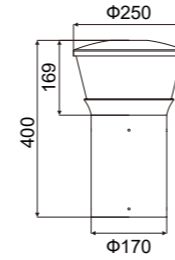


Base (optional)

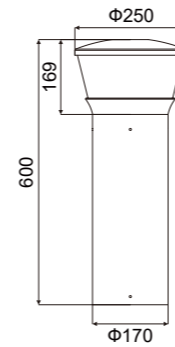


Anchor bolt (optional)

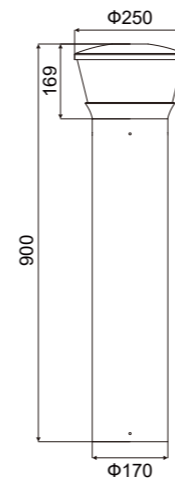
Flor



CCT	CRI	Power (W)	Luminaire output flux (lm)	Luminaire efficacy (lm/W)	Input voltage	Dimming
3000K	> 80	12	1200	100	AC 220-240V	ON/OFF



CCT	CRI	Power (W)	Luminaire output flux (lm)	Luminaire efficacy (lm/W)	Input voltage	Dimming
3000K	> 80	12	1200	100	AC 220-240V	ON/OFF



CCT	CRI	Power (W)	Luminaire output flux (lm)	Luminaire efficacy (lm/W)	Input voltage	Dimming
3000K	> 80	12	1200	100	AC 220-240V	ON/OFF

Packing Information

Model	Outer Carton Size L*W*H	QTY / Outer Carton	N.W. (kg)	G.W. (kg)
Flor 1	420*270*280mm	1	4.1	5.2
Flor 2	620*270*280mm	1	6.4	7.5
Flor 3	920*270*280mm	1	8.1	9.3

Lm: This data is tested under normal working condition, the actual data will depends on environment condition, optics/diffuser and CCT.

Flor S

Patented design

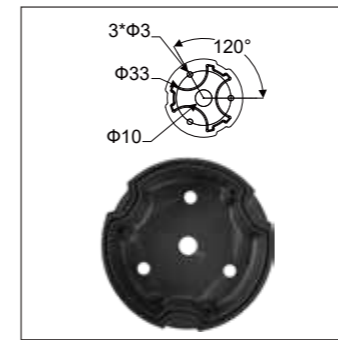


CE CB IP65 IK09

Technical information

Parameter	Technical data	Parameter	Technical data
Insulation class	Class I	Screen	PC
Operating temperature	-20°C~50°C / 10% ~ 95% (humidity)	Gasket	Silicone
Body parts material	Aluminum	Color stability	5 MacAdam steps
Light control	Optic / Diffuser	IP & IK Rating	IP65 & IK09

Details



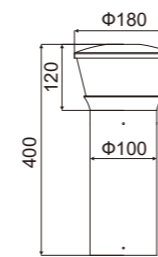
Base (optional)



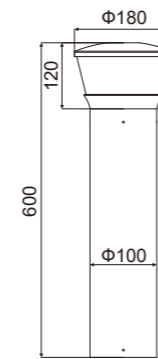
Anchor bolt (optional)

Packing Information

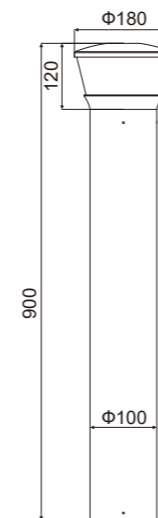
Model	Inner Carton Size L*W*H	QTY / Inner Carton	N.W. (kg)	G.W. (kg)
Flor S 1	420*190*210mm	1	3	3.2
Flor S 2	620*190*210mm	1	3.4	3.6
Flor S 3	920*190*210mm	1	4	4.2



CCT	CRI	Power (W)	Luminaire output flux (lm)	Luminaire efficacy (lm/W)	Input voltage	Dimming
3000K	> 80	12	1200	100	AC 220-240V	ON/OFF



CCT	CRI	Power (W)	Luminaire output flux (lm)	Luminaire efficacy (lm/W)	Input voltage	Dimming
3000K	> 80	12	1200	100	AC 220-240V	ON/OFF

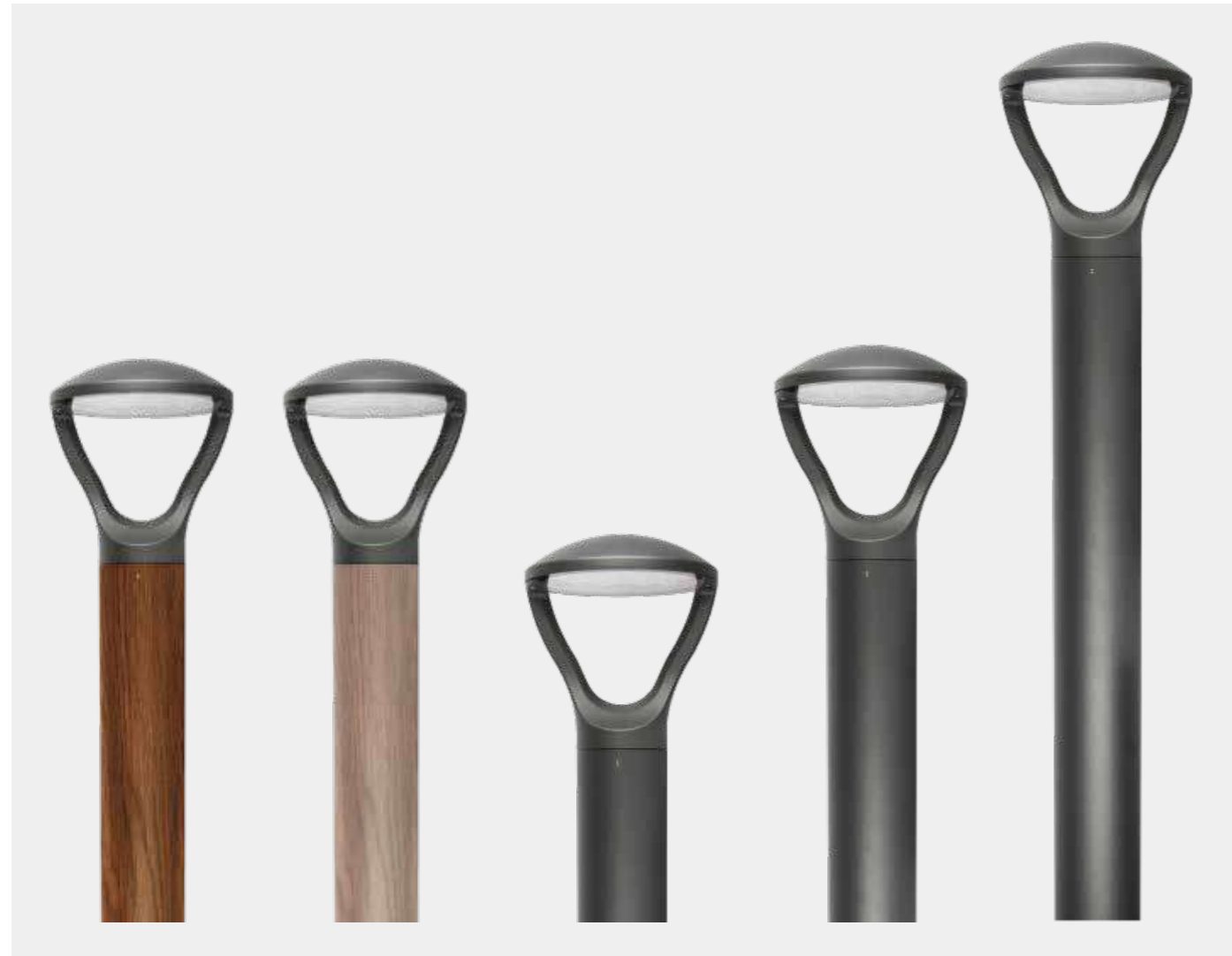


CCT	CRI	Power (W)	Luminaire output flux (lm)	Luminaire efficacy (lm/W)	Input voltage	Dimming
3000K	> 80	12	1200	100	AC 220-240V	ON/OFF

Lm: This data is tested under normal working condition, the actual data will depends on environment condition, optics/diffuser and CCT.

Fresco

Patented design



CE CB IP65 IK09

Technical information

Parameter	Technical data	Parameter	Technical data
Insulation class	Class I	Screen	PC
Operating temperature	-20°C~50°C / 10% ~ 95% (humidity)	Gasket	Silicone
Body parts material	Aluminum	Color stability	5 MacAdam steps
Light control	Optic / Diffuser	IP & IK Rating	IP65 & IK09

Details



Bollard with and without sensors: combinable and groupable - light only on the path sections where it is needed.
 Minimized light pollution: light only where it should and only when it is needed: through asymmetric light distribution and PIR sensors.
 Warm white light - with 3,000K, the Crius series luminaires are particularly insect-friendly. Easy to assemble, flexible in fixing: thanks to elongated holes, flexible in attachment even with imprecise screw-on points and easy and precise to align. Save energy, reduce costs, protect the climate: keep costs low in the long term and protect the environment through high efficiency and a long service life.



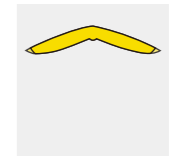
Fresco



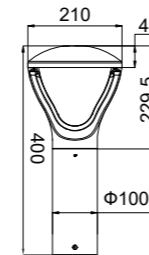
Packing Information

Model	Outer Carton Size L*W*H	QTY / Outer Carton	N.W. (kg)	G.W. (kg)
Fresco 1	420*225*240mm	1	3.8	4.5
Fresco 2	620*225*240mm	1	4.2	4.9
Fresco 3	920*225*240mm	1	4.8	5.6

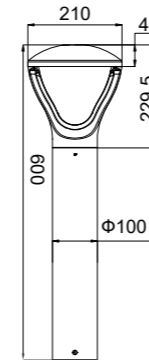
Optics available



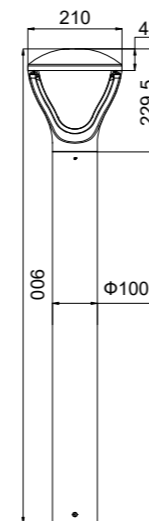
C12C36-T5



CCT	CRI	Power (W)	Luminaire output flux (lm)	Luminaire efficacy (lm/W)	Input voltage	Dimming
3000K	>80	12	1200	100	AC 220-240V	ON/OFF
3000K	>80	24	2400	100	AC 220-240V	ON/OFF



CCT	CRI	Power (W)	Luminaire output flux (lm)	Luminaire efficacy (lm/W)	Input voltage	Dimming
3000K	>80	12	1200	100	AC 220-240V	ON/OFF
3000K	>80	24	2400	100	AC 220-240V	ON/OFF



CCT	CRI	Power (W)	Luminaire output flux (lm)	Luminaire efficacy (lm/W)	Input voltage	Dimming
3000K	>80	12	1200	100	AC 220-240V	ON/OFF
3000K	>80	24	2400	100	AC 220-240V	ON/OFF

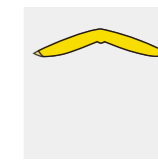
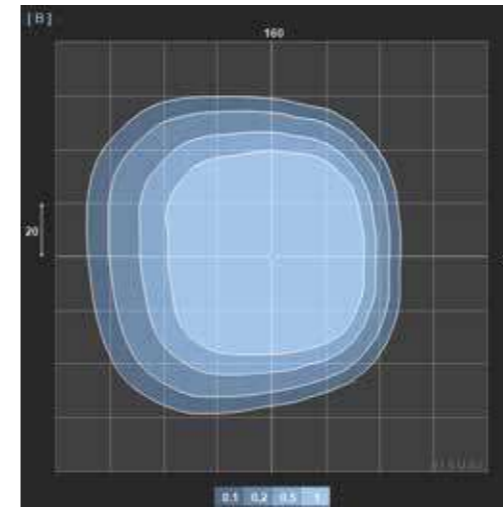
Ella



Technical information

Parameter	Technical data	Parameter	Technical data
Insulation class	Class I	Screen	PC
Operating temperature	-20°C~50°C / 10%~95% (humidity)	Gasket	Silicone
Body parts material	Aluminum	Color stability	5 MacAdam steps
Light control	Diffuser	IP & IK Rating	IP65 & IK09

Optics available



G12C36-T5

Details

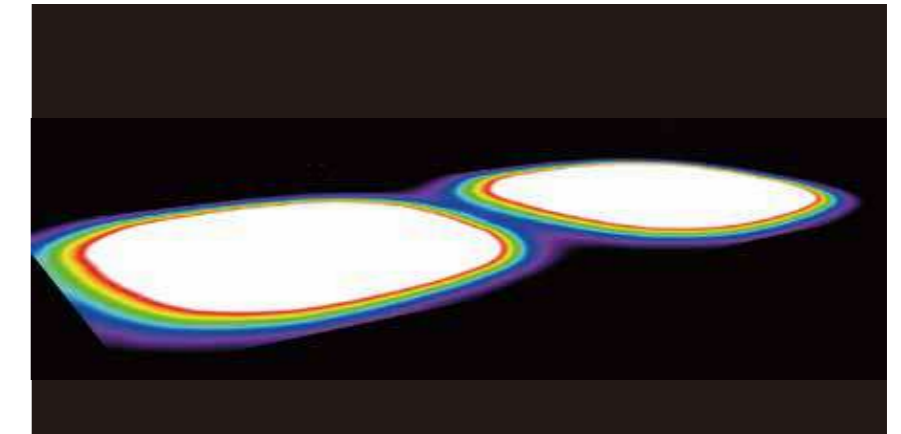


About Application

Example lighting levels

Typical result at 5m spacing, on a 5m wide path - designed to achieve P lighting classes.

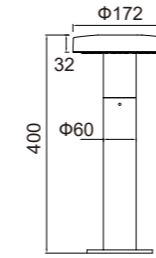
Optice	G12C36-T5
Lighting Class	P3
Light pole height	0.9m
Eav	42lx
Emin	0.33lx



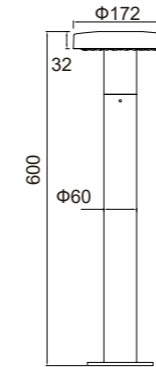
Packing Information

Model	Outer Carton Size L*W*H	QTY / Outer Carton	N.W. (kg)	G.W. (kg)
Ella 1	420*195*220mm	1	4.1	4.7
Ella 2	620*195*220mm	1	4.2	4.8
Ella 3	920*195*220mm	1	5.3	6.0

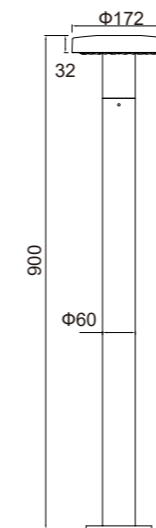
Ella



CCT	CRI	Power (W)	Luminaire output flux (lm)	Luminaire efficacy (lm/W)	Input voltage	Dimming
3000K	> 80	12	1200	100	AC 220-240V	ON/OFF



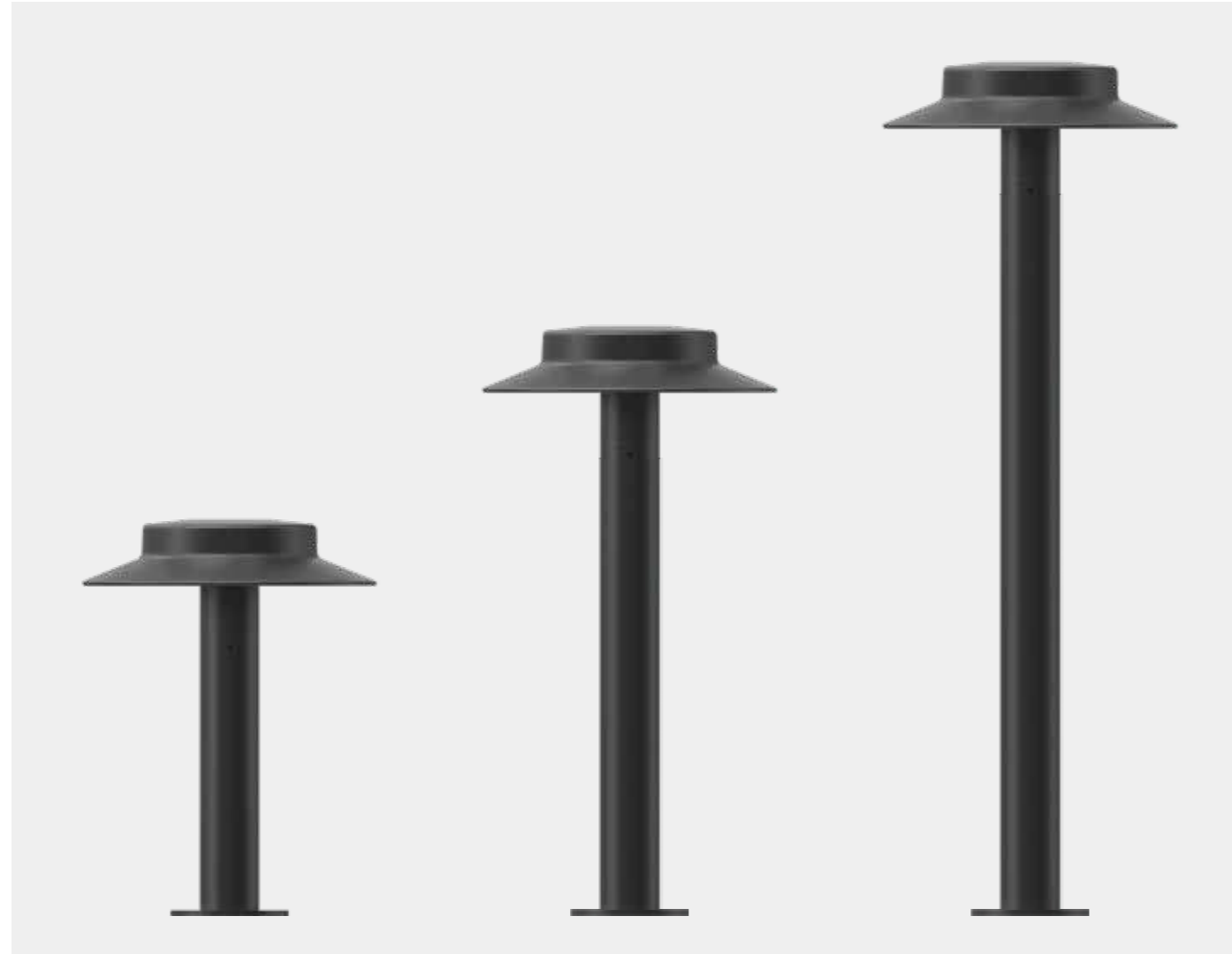
CCT	CRI	Power (W)	Luminaire output flux (lm)	Luminaire efficacy (lm/W)	Input voltage	Dimming
3000K	> 80	12	1200	100	AC 220-240V	ON/OFF



CCT	CRI	Power (W)	Luminaire output flux (lm)	Luminaire efficacy (lm/W)	Input voltage	Dimming
3000K	> 80	12	1200	100	AC 220-240V	ON/OFF

Lm: This data is tested under normal working condition, the actual data will depends on environment condition, optics/diffuser and CCT.

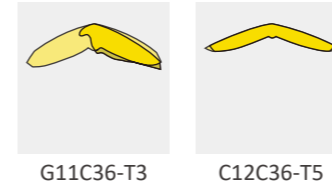
Ella M



Technical information

Parameter	Technical data	Parameter	Technical data
Insulation class	Class I	Screen	PC
Operating temperature	-20°C~50°C / 10% ~ 95% (humidity)	Gasket	Silicone
Body parts material	Aluminum	Color stability	5 MacAdam steps
Light control	Diffuser	IP & IK Rating	IP65 & IK09

Optics available



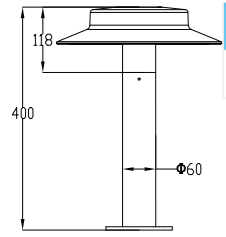
Details



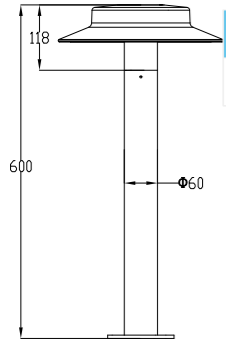
Packing Information

Model	Outer Carton Size L*W*H	QTY / Outer Carton	N.W. (kg)	G.W. (kg)
Ella M 1	420*195*220mm	1	4.1	4.7
Ella M 2	620*195*220mm	1	4.2	4.8
Ella M 3	920*195*220mm	1	5.3	6.0

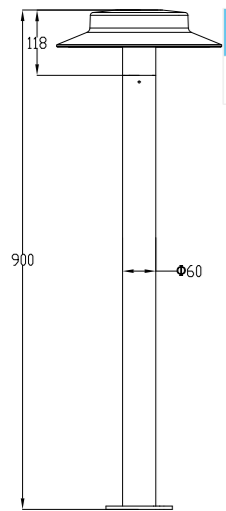
Ella M



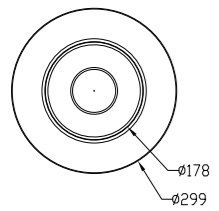
CCT	CRI	Power (W)	Luminaire output flux (lm)	Luminaire efficacy (lm/W)	Input voltage	Dimming
3000K	>80	12	1200	100	AC 220-240V	ON/OFF



CCT	CRI	Power (W)	Luminaire output flux (lm)	Luminaire efficacy (lm/W)	Input voltage	Dimming
3000K	>80	12	1200	100	AC 220-240V	ON/OFF



CCT	CRI	Power (W)	Luminaire output flux (lm)	Luminaire efficacy (lm/W)	Input voltage	Dimming
3000K	>80	12	1200	100	AC 220-240V	ON/OFF



Lm: This data is tested under normal working condition, the actual data will depends on environment condition, optics/diffuser and CCT.

Mun



CE CB IP65 IK10

Technical information

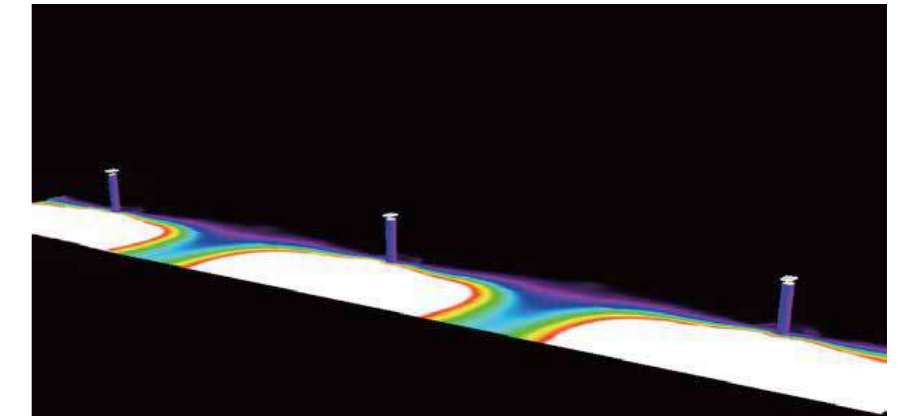
Parameter	Technical data	Parameter	Technical data
Insulation class	Class I	Screen	PC
Operating temperature	-30°C~55°C / 10% ~ 95% (humidity)	Gasket	Silicone
Body parts material	Aluminum	Color stability	5 MacAdam steps
Light control	Optic	IP & IK Rating	IP66 & IK10

About Application

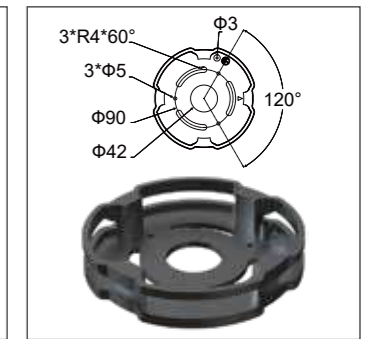
Example lighting levels

Typical result at 10m spacing, on a 4m wide path - designed to achieve P lighting classes.

Lighting Class	P3
Path Width	4m
Eav	7.50 – 11.25lx
Emin	1.5lx



Details



Water-proof Junction Box(Optional)

Base (optional)



Anchor bolt (optional)

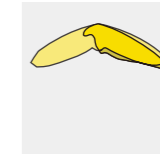
Mun



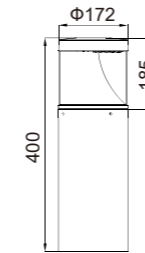
Packing Information

Model	Outer Carton Size L*W*H	QTY / Outer Carton	N.W. (kg)	G.W. (kg)
Mun 1	420*200*220mm	1	4.22	4.5
Mun 2	620*200*220mm	1	5.3	5.8
Mun 3	920*200*220mm	1	6.92	7.8

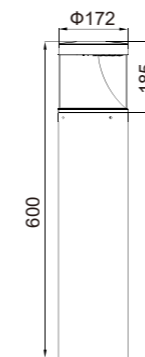
Optics available



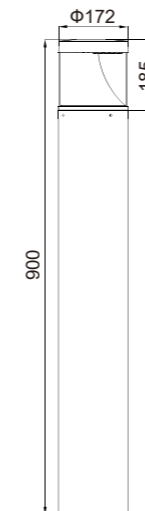
G11C36-T3



CCT	CRI	Power (W)	Luminaire output flux (lm)	Luminaire efficacy (lm/W)	Input voltage	Dimming
3000K	>80	20	800	40	AC 220-240V	DALI



CCT	CRI	Power (W)	Luminaire output flux (lm)	Luminaire efficacy (lm/W)	Input voltage	Dimming
3000K	>80	20	800	40	AC 220-240V	DALI



CCT	CRI	Power (W)	Luminaire output flux (lm)	Luminaire efficacy (lm/W)	Input voltage	Dimming
3000K	>80	20	800	40	AC 220-240V	DALI

Lm: This data is tested under normal working condition, the actual data will depends on environment condition, optics/diffuser and CCT.

Rea

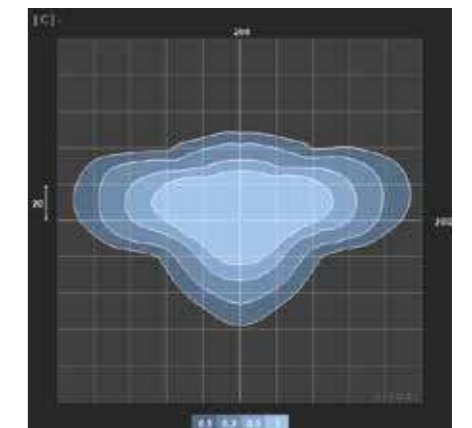


CE CB IP65 IK09

Technical information

Parameter	Technical data	Parameter	Technical data
Insulation class	Class I	Screen	PC
Operating temperature	-20°C~50°C / 10% ~ 95% (humidity)	Gasket	Silicone
Body parts material	Aluminum	Color stability	5 MacAdam steps
Light control	Optic / Diffuser	IP & IK Rating	IP65 & IK09

Light source



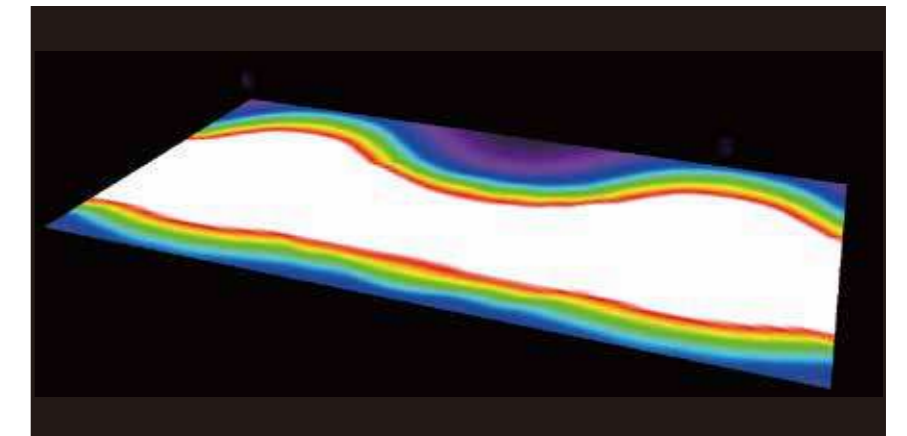
D504T2

About Application

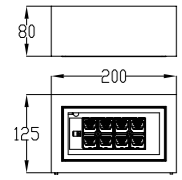
Example lighting levels

Typical result at 4m spacing, on a 5m wide path - designed to achieve P lighting classes.

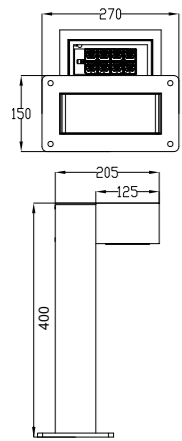
Optice	D504T2
Lighting Class	P3
Light pole height	0.9m
Eav	167lx
Emin	6.81lx



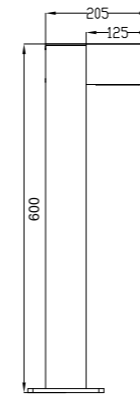
Rea



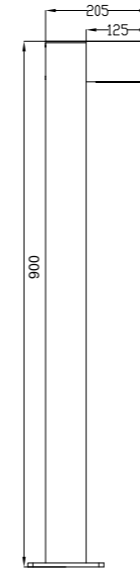
CCT	CRI	Power (W)	Luminaire output flux (lm)	Luminaire efficacy (lm/W)	Input voltage	Dimming
3000K	>80	15	1275	85	AC 220-240V	ON/OFF



CCT	CRI	Power (W)	Luminaire output flux (lm)	Luminaire efficacy (lm/W)	Input voltage	Dimming
3000K	>80	15	1275	85	AC 220-240V	ON/OFF



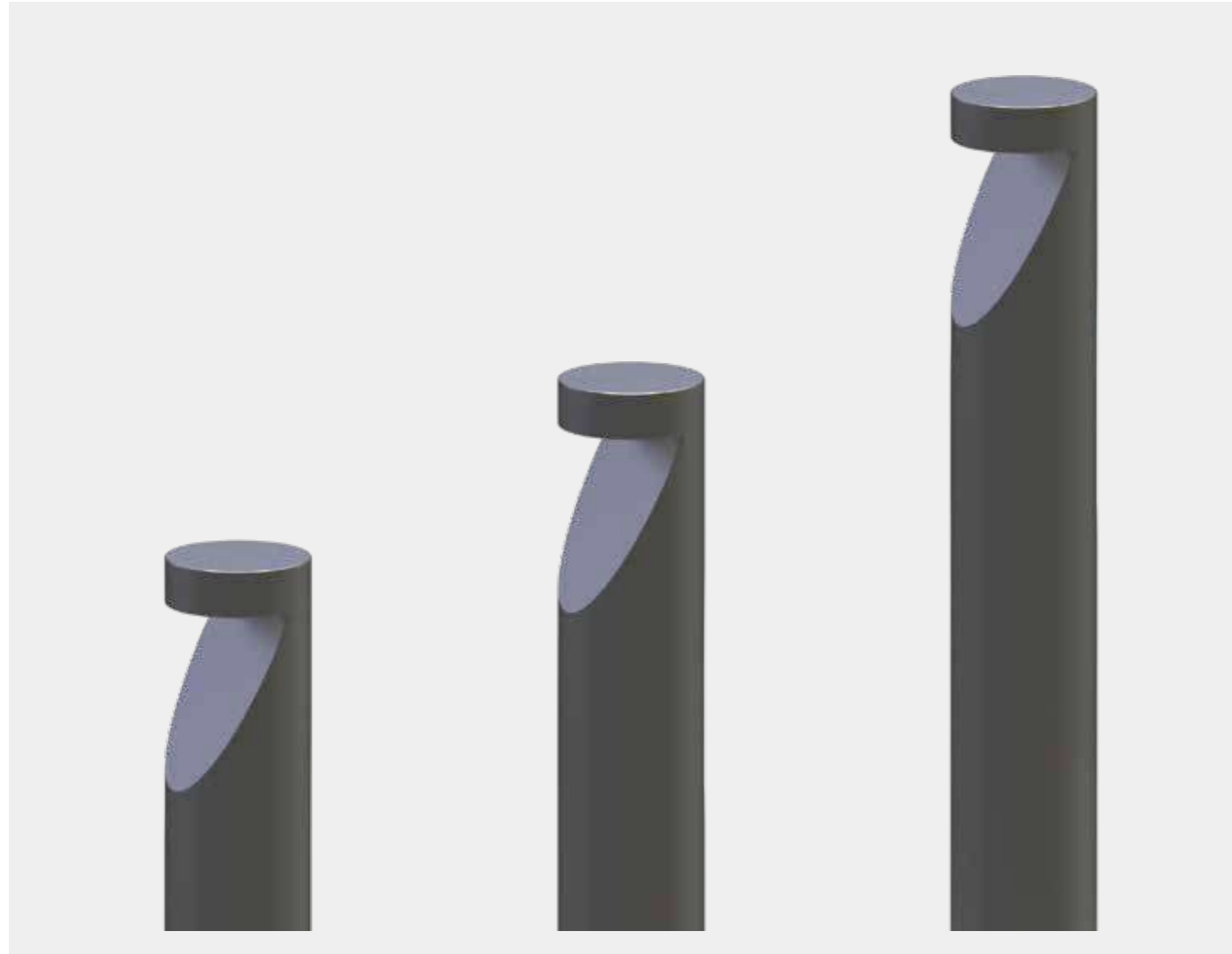
CCT	CRI	Power (W)	Luminaire output flux (lm)	Luminaire efficacy (lm/W)	Input voltage	Dimming
3000K	>80	15	1275	85	AC 220-240V	ON/OFF



CCT	CRI	Power (W)	Luminaire output flux (lm)	Luminaire efficacy (lm/W)	Input voltage	Dimming
3000K	>80	15	1275	85	AC 220-240V	ON/OFF

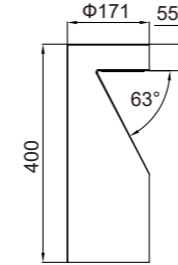
Lm: This data is tested under normal working condition, the actual data will depends on environment condition, optics/diffuser and CCT.

Pera

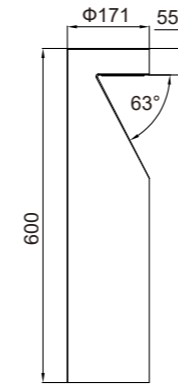


Technical information

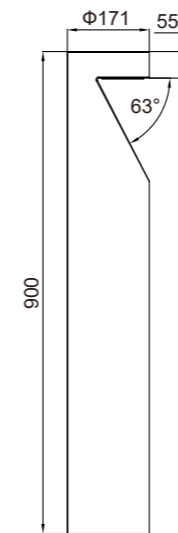
Parameter	Technical data	Parameter	Technical data
Insulation class	Class I	Screen	PC
Operating temperature	-20°C~50°C / 10%~95% (humidity)	Gasket	Silicone
Body parts material	Aluminum	Color stability	5 MacAdam steps
Light control	Optic / Diffuser	IP & IK Rating	IP65 & IK09



CCT	CRI	Power (W)	Luminaire output flux (lm)	Luminaire efficacy (lm/W)	Input voltage	Dimming
3000K	>80	15	1275	85	AC 220-240V	ON/OFF

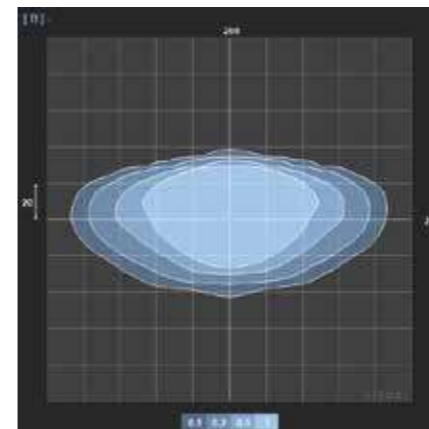


CCT	CRI	Power (W)	Luminaire output flux (lm)	Luminaire efficacy (lm/W)	Input voltage	Dimming
3000K	>80	15	1275	85	AC 220-240V	ON/OFF



CCT	CRI	Power (W)	Luminaire output flux (lm)	Luminaire efficacy (lm/W)	Input voltage	Dimming
3000K	>80	15	1275	85	AC 220-240V	ON/OFF

Optics available

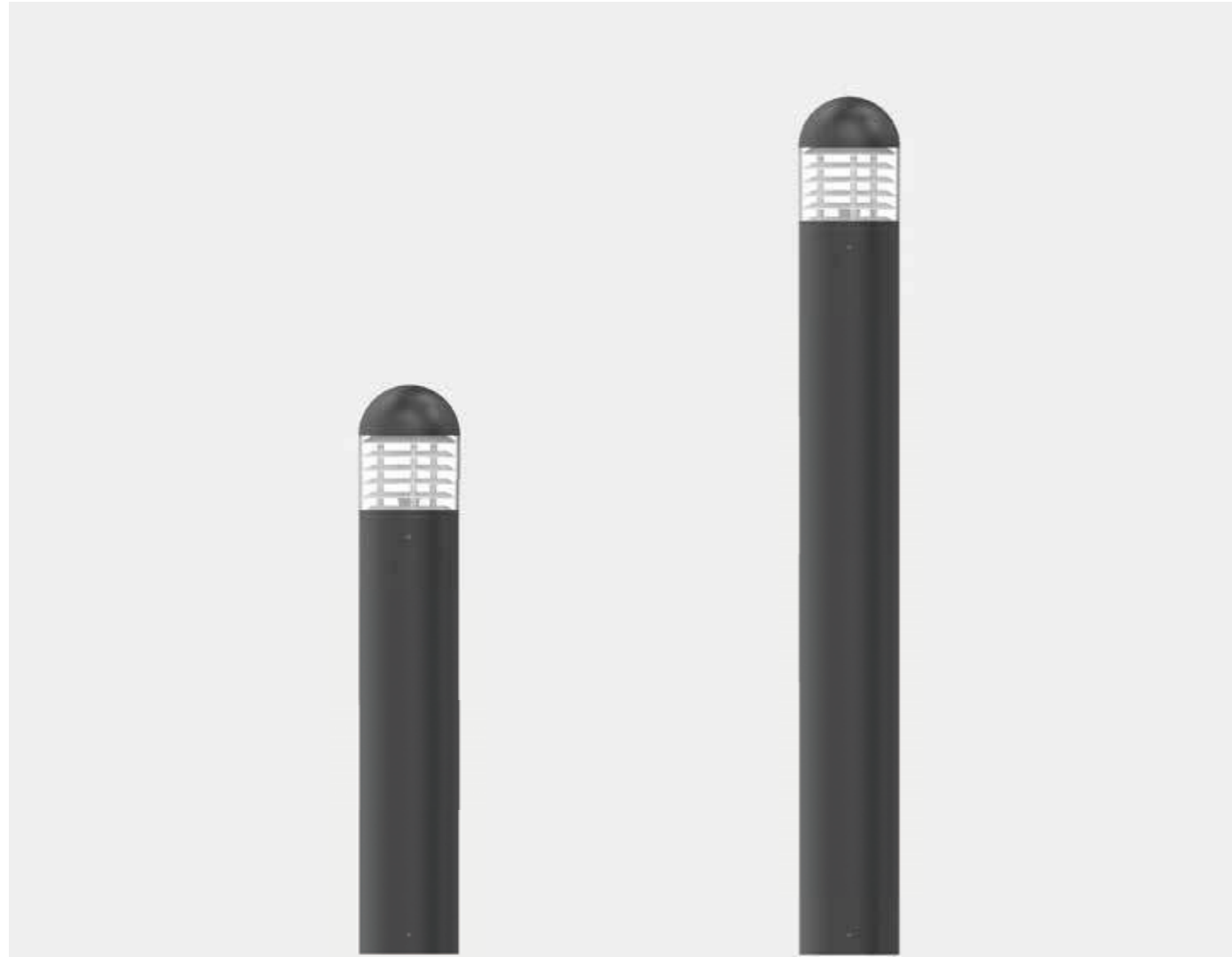


D506T2

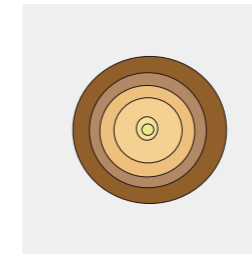
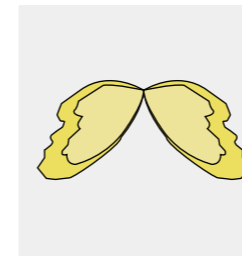
Lm: This data is tested under normal working condition, the actual data will depends on environment condition, optics/diffuser and CCT.



Seta

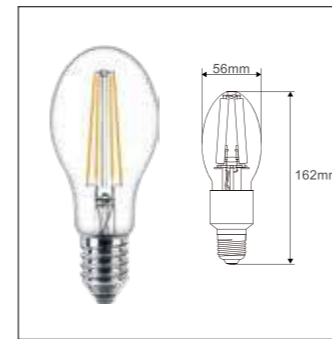


Optics

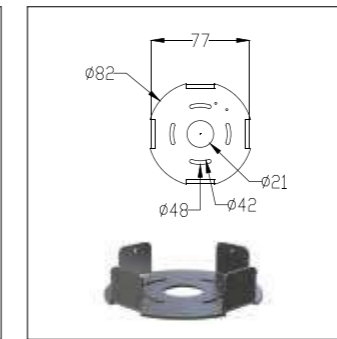


- Designed, manufactured and tested according to IEC60598
- Diecast aluminum and extruded aluminum body.
- Stainless steel screws with special treatment for anti-corrosion
- Double layer coating for 500hrs salt spray testing
- Polycarbonate protective cover with IK09
- Post cured silicon gaskets
- Pre-wired in factory as option

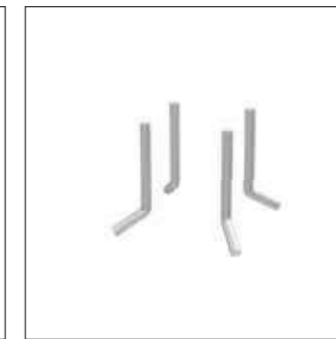
Details



Version for suitable E27 A60 LED Lamps, up to 15W



Base (optional)



Anchor bolt (optional)

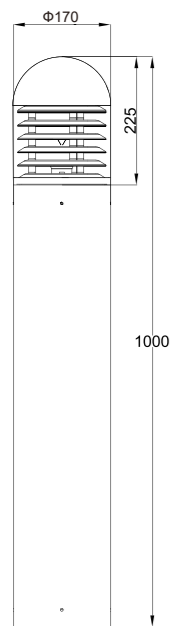


Technical information

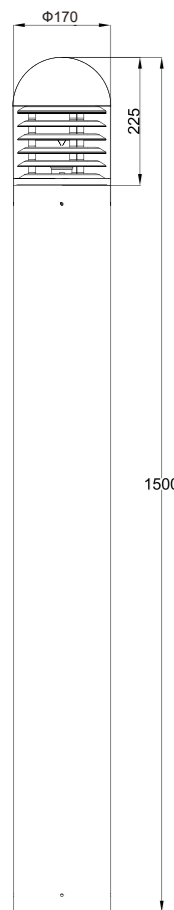
Parameter	Technical data	Parameter	Technical data
Insulation class	Class I	Screen	PC
Operating temperature	-20°C~50°C / 10%~95% (humidity)	Gasket	Silicone
Body parts material	Aluminum	Color stability	5 MacAdam steps
Light control	Optic	IP & IK Rating	IP65 & IK09



Seta



CCT	CRI	Power (W)	Luminaire output flux (lm)	Luminaire efficacy (lm/W)	Input voltage	Dimming
3000K	>80	15	2250	150	AC 220-240V	ON/OFF



CCT	CRI	Power (W)	Luminaire output flux (lm)	Luminaire efficacy (lm/W)	Input voltage	Dimming
3000K	>80	15	2250	150	AC 220-240V	ON/OFF

Lm: This data is tested under normal working condition, the actual data will depends on environment condition, optics/diffuser and CCT.

Ceiling light



Abaco R
15~25W



Abaco S
15~25W



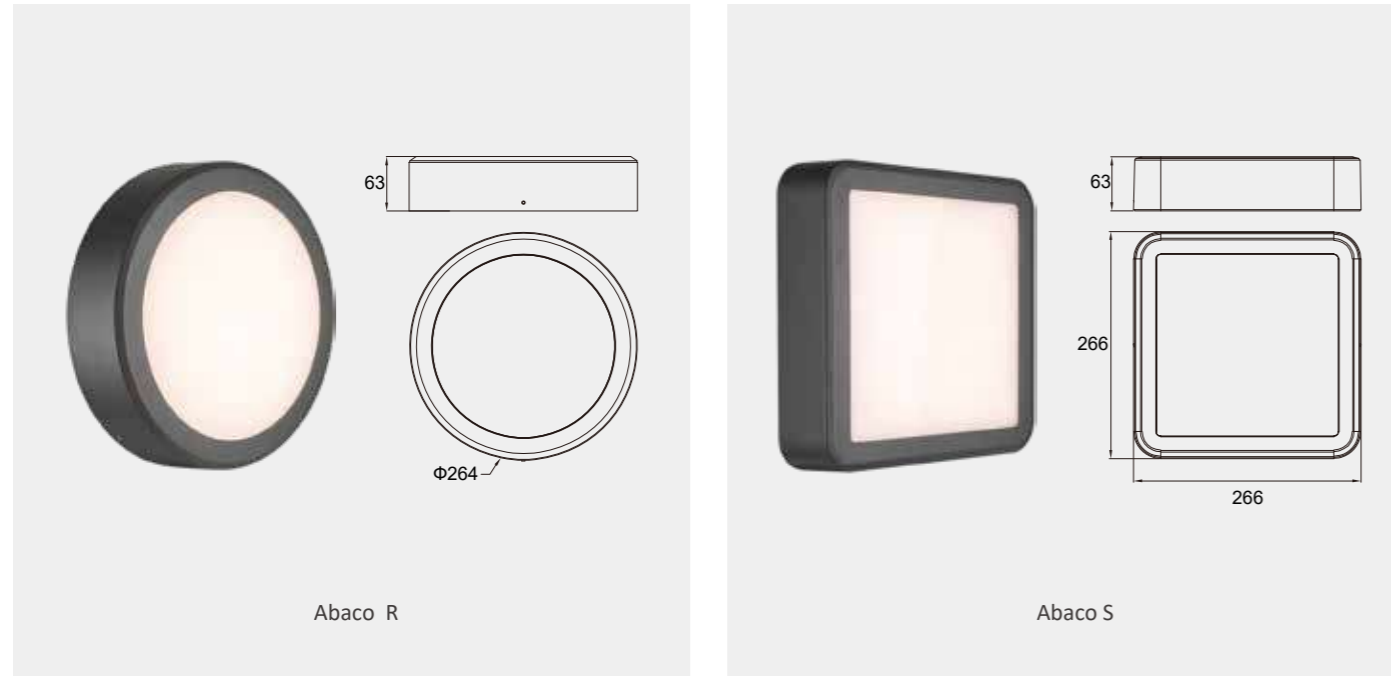
Foco
10W



Net C Mini
15~25W

Abaco

Patented design



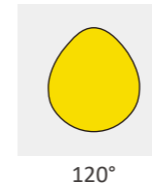
Technical information

Parameter	Technical data	Parameter	Technical data
Insulation class	Class I	Screen	PC
Operating temperature	-20°C~50°C / 10%~95% (humidity)	Gasket	Silicone
Body parts material	Die cast Aluminum	Color stability	5 MacAdam steps
Light control	Optic / Diffuser	IP & IK Rating	IP65 & IK09

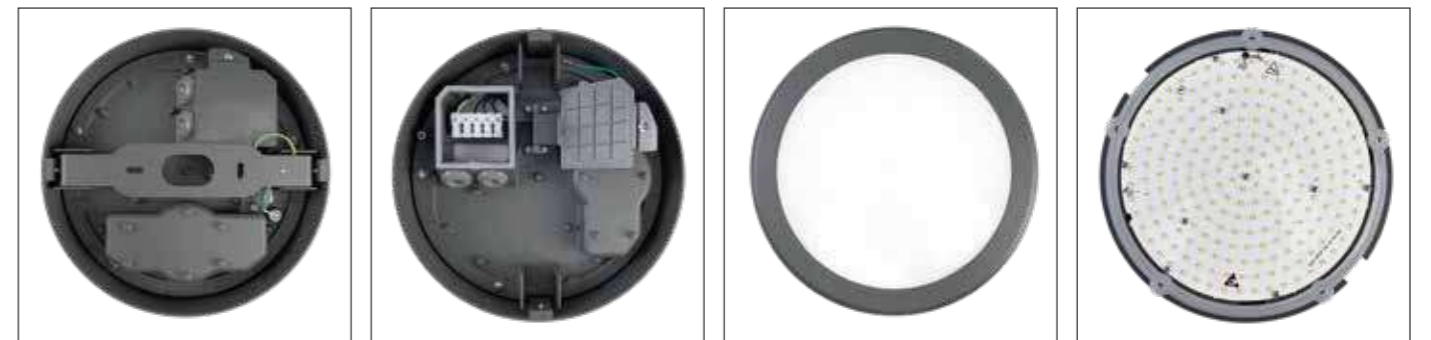
Packing Information

Model	Inner Carton Size L*W*H	QTY / Inner Carton	N.W. (kg)	G.W. (kg)	Outer Carton Size L*W*H	QTY / Outer Carton	N.W. (kg)	G.W. (kg)
Abaco R	280*280*75mm	1	2.05	2.15	480*295*305mm	6	12.9	14.6
Abaco S	280*280*75mm	1	2.1	2.3	480*295*305mm	6	12.6	13.8

Optics available



Details



Abaco R



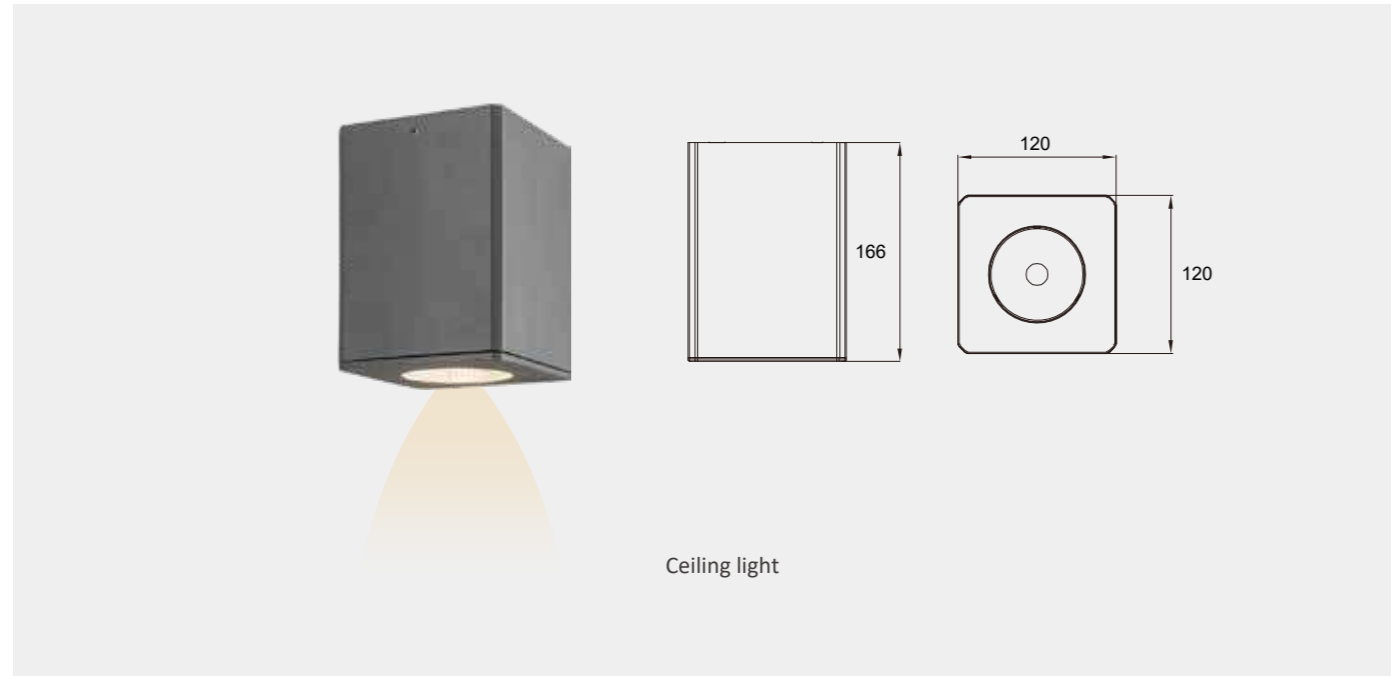
Abaco S

Order

Model	CCT	CRI	Power (W)	Luminaire output flux (lm)	Luminaire efficacy (lm/W)	Input voltage	Dimming
Abaco R 1	3000K	>80	15	1500	100	AC 220-240V	DALI
Abaco R 2	3000K	>80	15	1500	100	AC 220-240V	ON/OFF
Abaco R 3	3000K	>80	25	2500	100	AC 220-240V	DALI
Abaco R 4	3000K	>80	25	2500	100	AC 220-240V	ON/OFF
Abaco S 1	3000K	>80	15	1500	100	AC 220-240V	DALI
Abaco S 2	3000K	>80	15	1500	100	AC 220-240V	ON/OFF
Abaco S 3	3000K	>80	25	2500	100	AC 220-240V	DALI
Abaco S 4	3000K	>80	25	2500	100	AC 220-240V	ON/OFF

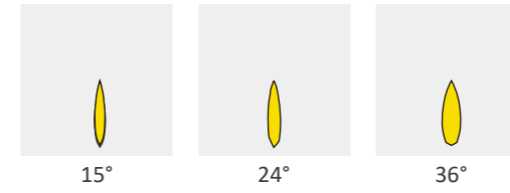
Net C Mini

Patented design

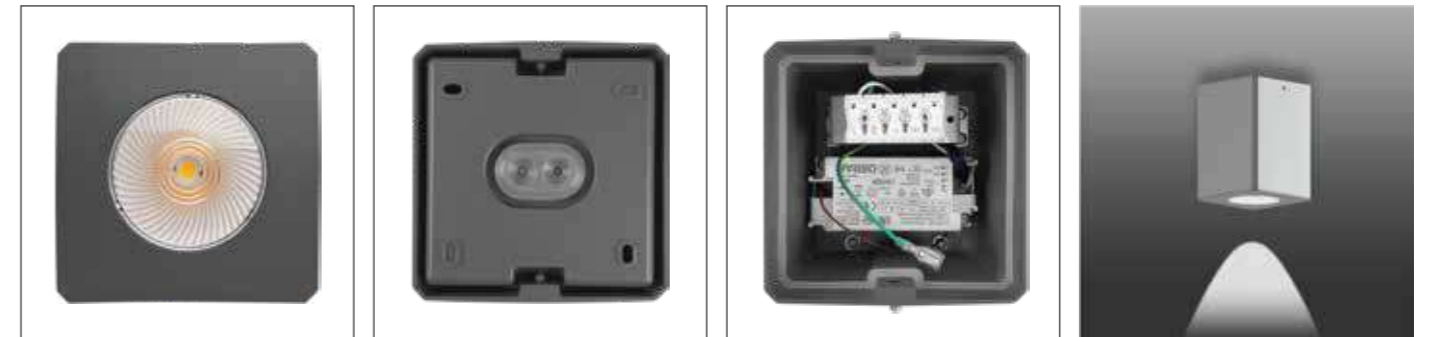


Ceiling light

Optics available



Details



Net Series Whole body made by die-casting aluminum, no gap between main body and base part.

Technical information

Parameter	Technical data	Parameter	Technical data
Insulation class	Class I	Screen	PC
Operating temperature	-20°C~50°C / 10%~95% (humidity)	Gasket	Silicone
Body parts material	Die cast Aluminum	Color stability	5 MacAdam steps
Light control	Optic / Diffuser	IP & IK Rating	IP65 & IK09

Packing Information

Model	Inner Carton Size L*W*H	QTY / Inner Carton	N.W. (kg)	G.W. (kg)	Outer Carton Size L*W*H	QTY / Outer Carton	N.W. (kg)	G.W. (kg)
Net C Mini	130*130*180mm	1	2	2.1	530*270*190mm	8	16	16.8

Order

Model	CCT	CRI	Power (W)	Luminaire output flux (lm)	Luminaire efficacy (lm/W)	Input voltage	Dimming
Net C Mini 1	3000K	>80	15	1575	105	AC 220-240V	DALI
Net C Mini 2	3000K	>80	15	1575	105	AC 220-240V	ON/OFF
Net C Mini 3	3000K	>80	25	2500	100	AC 220-240V	DALI
Net C Mini 4	3000K	>80	25	2500	100	AC 220-240V	ON/OFF

Wall light



Net R
10W



Net R
2*10W



Net S
10W



Net S
2*10W



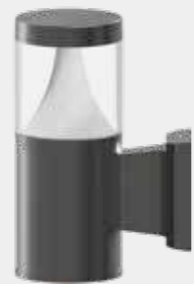
Net L
20W



Net L
2*20W



Arte AP
12W



Acuarela AP
12W



Zin
5~12W



Osa
3~8W



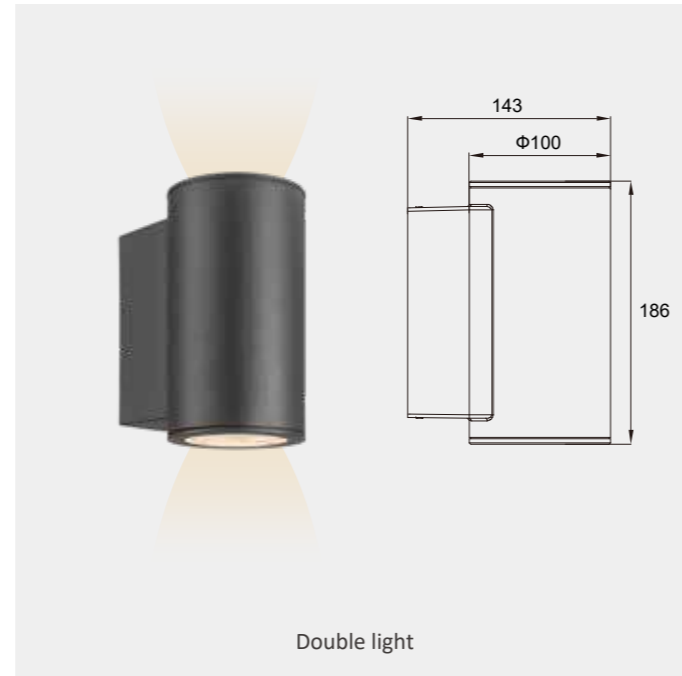
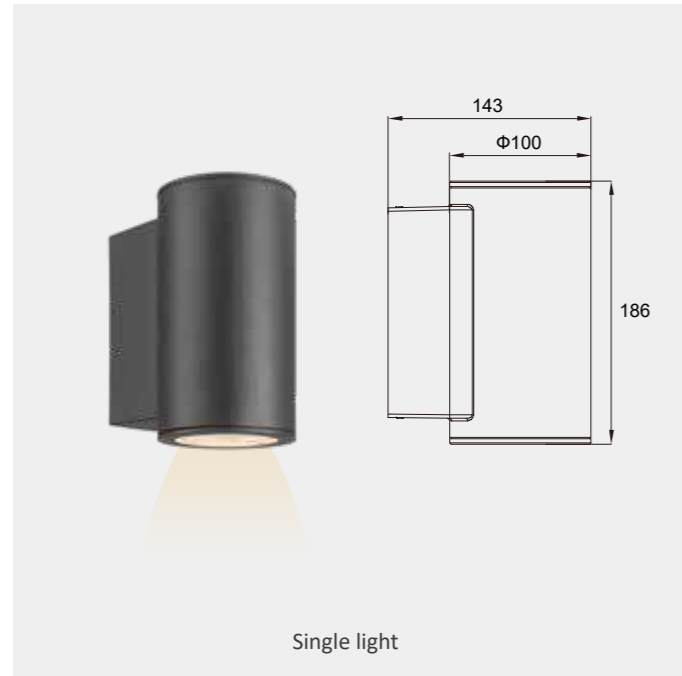
Ani
8~16W



Ati
8~16W

Net R

Patented design

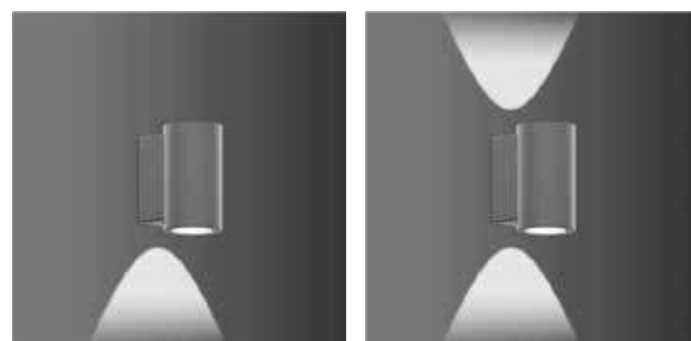
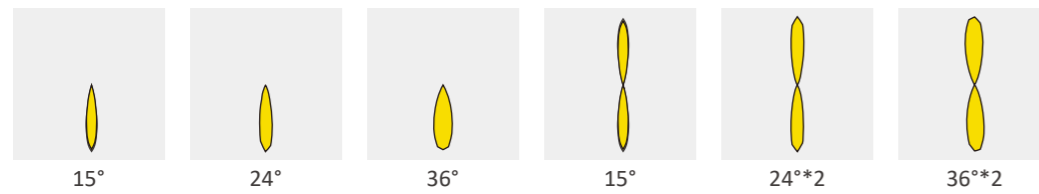


Details



Net Series Whole body made by die-casting aluminum, no gap between main body and base part.

Optics available



Technical information

Parameter	Technical data	Parameter	Technical data
Insulation class	Class I	Screen	PC
Operating temperature	-20°C~50°C / 10% ~ 95% (humidity)	Gasket	Silicone
Body parts material	Die cast Aluminum	Color stability	5 MacAdam steps
Light control	Optic / Diffuser	IP & IK Rating	IP65 & IK09

Sales Excluded: Germany, Austria, Switzerland, Denmark, Norway, Finland.

Net R



CCT Selectable solution

3000K -4000K-5000K CCT switchable assures you of proper light color in various.



3000K



4000K



5000K



Light Angle



15°





24°



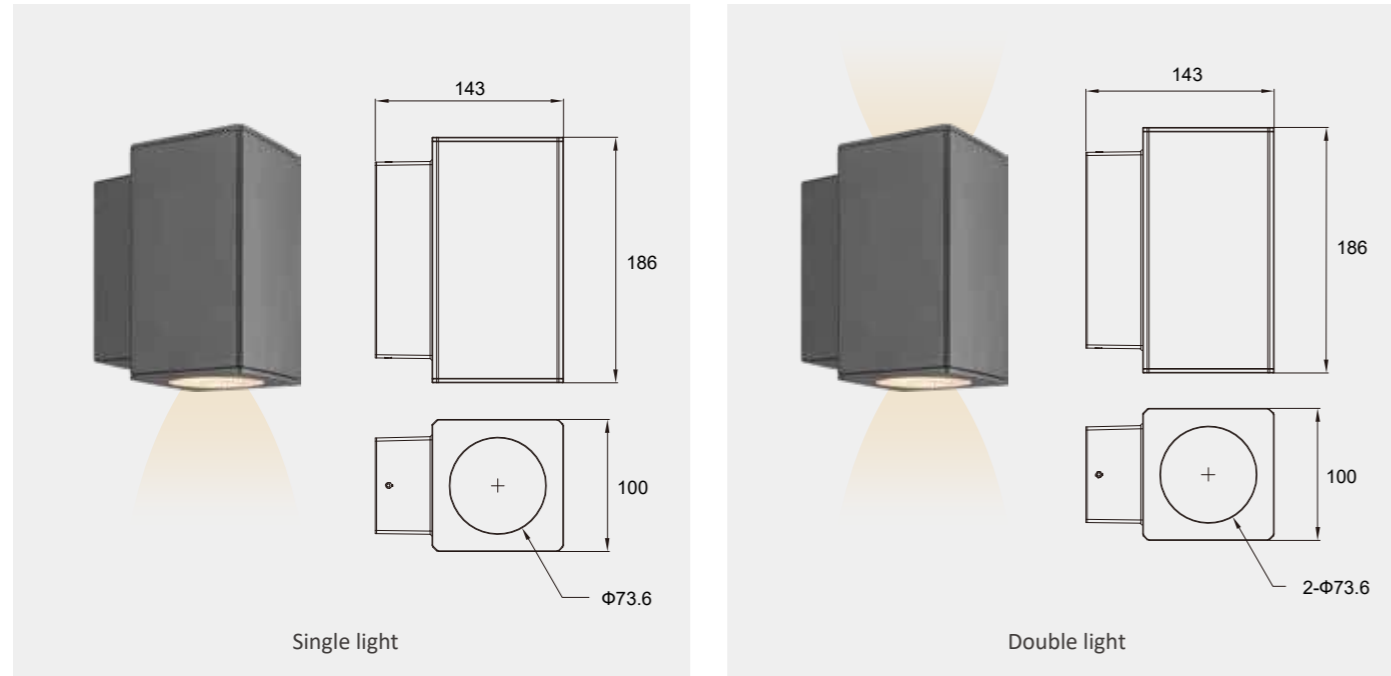
36°

Order

Model	CCT	CRI	Power (W)	Luminaire output flux (lm)	Luminaire efficacy (lm/W)	Input voltage	Dimming
NET R S 1	3000K	>80	10	1x1090	109	AC 220-240V	DALI
NET R S 2	3000K	>80	10	1x1090	109	AC 220-240V	ON/OFF
 NET R S CCT	Adjustable	>80	10	1x1090	109	AC 220-240V	ON/OFF
NET R D 1	3000K	>80	20	2x1020	102	AC 220-240V	DALI
NET R D 2	3000K	>80	20	2x1020	102	AC 220-240V	ON/OFF
 NET R D CCT	Adjustable	>80	20	2x1020	102	AC 220-240V	ON/OFF

Net C

Patented design



Optics available



Height 3M, Angle 36°

Height 5M, Angle 24°

Height 7M, Angle 12°



Technical information

Parameter	Technical data	Parameter	Technical data
Insulation class	Class I	Screen	PC
Operating temperature	-20°C~50°C / 10%~95% (humidity)	Gasket	Silicone
Body parts material	Die cast Aluminum	Color stability	5 MacAdam steps
Light control	Optic / Diffuser	IP & IK Rating	IP65 & IK09

Packing Information

Model	Inner Carton Size L*W*H	QTY / Inner Carton	N.W. (kg)	G.W. (kg)	Outer Carton Size L*W*H	QTY / Outer Carton	N.W. (kg)	G.W. (kg)
NET C S	115*158*200mm	1	2	2.1	470*320*210mm	8	16	16.8
NET C D	115*158*200mm	1	2.1	2.2	470*320*210mm	8	16.8	17.6

Details



Net Series Whole body made by die-casting aluminum, no gap between main body and base part.

Order

Model	CCT	CRI	Power (W)	Luminaire output flux (lm)	Luminaire efficacy (lm/W)	Input voltage	Dimming
NET C S 1	3000K	>80	10	1x1090	109	AC 220-240V	DALI
NET C S 2	3000K	>80	10	1x1090	109	AC 220-240V	ON/OFF
NET C S CCT	Adjustable	>80	10	1x1090	109	AC 220-240V	ON/OFF
NET C D 1	3000K	>80	20	2x1020	102	AC 220-240V	DALI
NET C D 2	3000K	>80	20	2x1020	102	AC 220-240V	ON/OFF
NET C D CCT	Adjustable	>80	20	2x1020	102	AC 220-240V	ON/OFF

Lm: This data is tested under normal working condition, the actual data will depends on environment condition, optics/diffuser and CCT.

Net S



CCT Selectable solution

3000K -4000K-5000K CCT switchable assures you of proper light color in various.



3000K



4000K



5000K



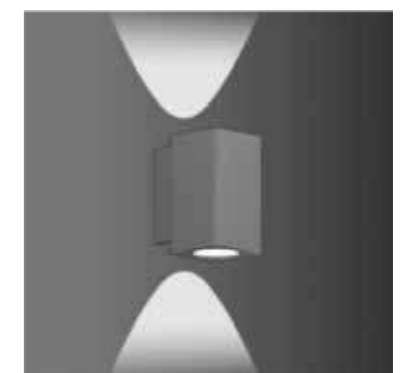
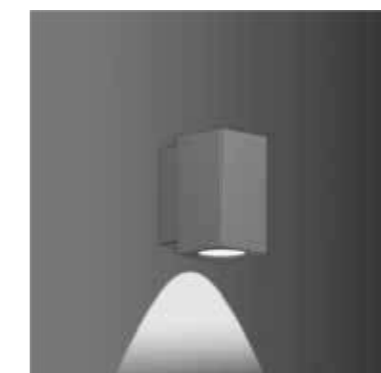
Colors



MATT SILVER
RAL 9006

DARK GREY
RAL 7022

BLACK
RAL 9005



Light Angle



15°

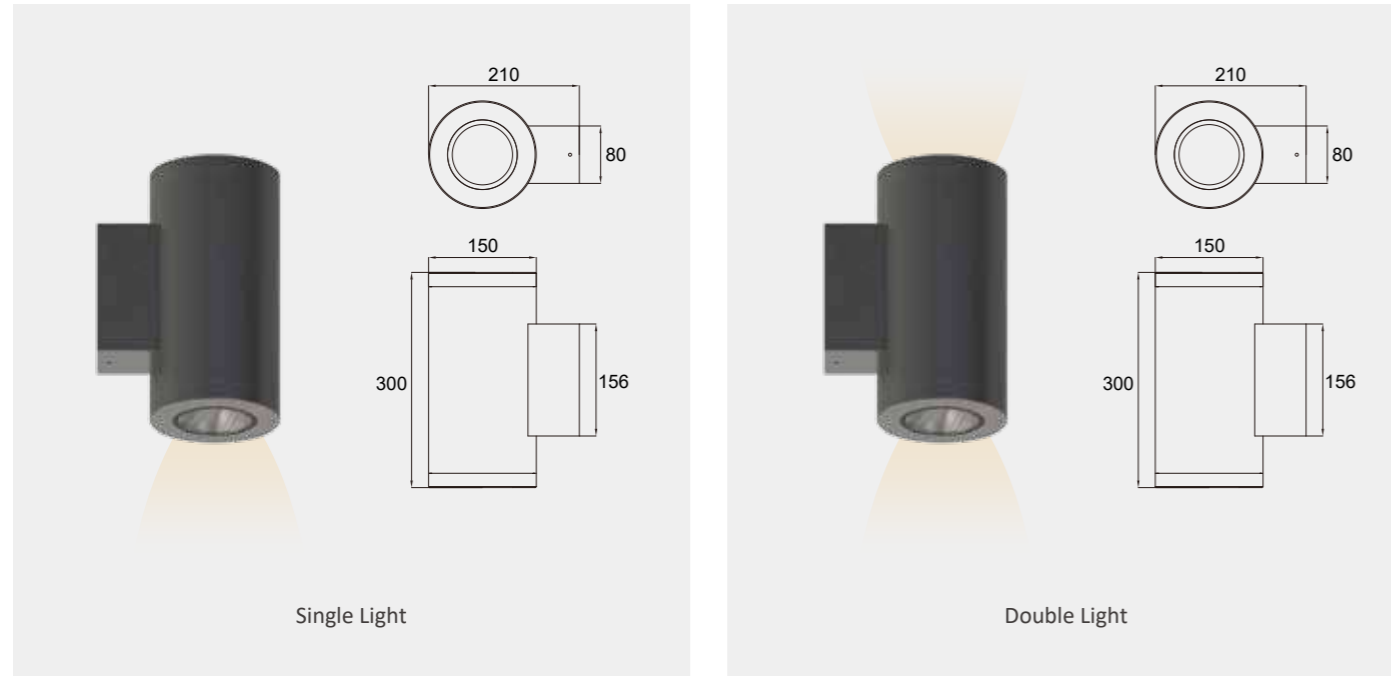


24°

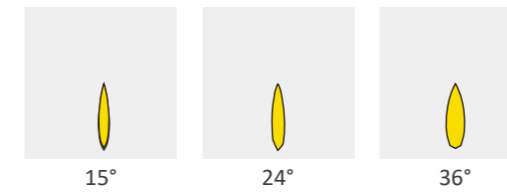


36°

Net L



Optics available



Details



Technical information

Parameter	Technical data	Parameter	Technical data
Insulation class	Class I	Screen	PC
Operating temperature	-20°C~50°C / 10%~95% (humidity)	Gasket	Silicone
Body parts material	Die cast Aluminum	Color stability	5 MacAdam steps
Light control	Optic / Diffuser	IP & IK Rating	IP65 & IK09

Order

Model	CCT	CRI	Power (W)	Luminaire output flux (lm)	Luminaire efficacy (lm/W)	Input voltage	Dimming
NET L S 1	3000K	>80	20	1800	90	AC 220-240V	DALI
NET L S 2	3000K	>80	20	1800	90	AC 220-240V	ON/OFF
NET L D 1	3000K	>80	40	3600	90	AC 220-240V	DALI
NET L D 2	3000K	>80	40	3600	90	AC 220-240V	ON/OFF

Packing Information

Model	Inner Carton Size L*W*H	QTY / Inner Carton	N.W. (kg)	G.W. (kg)	Outer Carton Size L*W*H	QTY / Outer Carton	N.W. (kg)	G.W. (kg)
NET L	160*160*310mm	1	3	3.2	530*270*190mm	8	16	16.8

Osa



Technical information

Parameter	Technical data	Parameter	Technical data
Insulation class	Class I	Screen	PC
Operating temperature	-20°C~50°C / 10% ~ 95% (humidity)	Gasket	Silicone
Body parts material	Die cast Aluminum	Color stability	5 MacAdam steps
Light control	Optic / Diffuser	IP & IK Rating	IP54

Order

Model	CCT	CRI	Power (W)	Luminaire output flux (lm)	Luminaire efficacy (lm/W)	Input voltage	Dimming
Osa 1	3000K	>80	3	150	50	AC 220-240V	ON/OFF
Osa 2	3000K	>80	6	260	44	AC 220-240V	ON/OFF
Osa 3	3000K	>80	8	530	66	AC 220-240V	ON/OFF

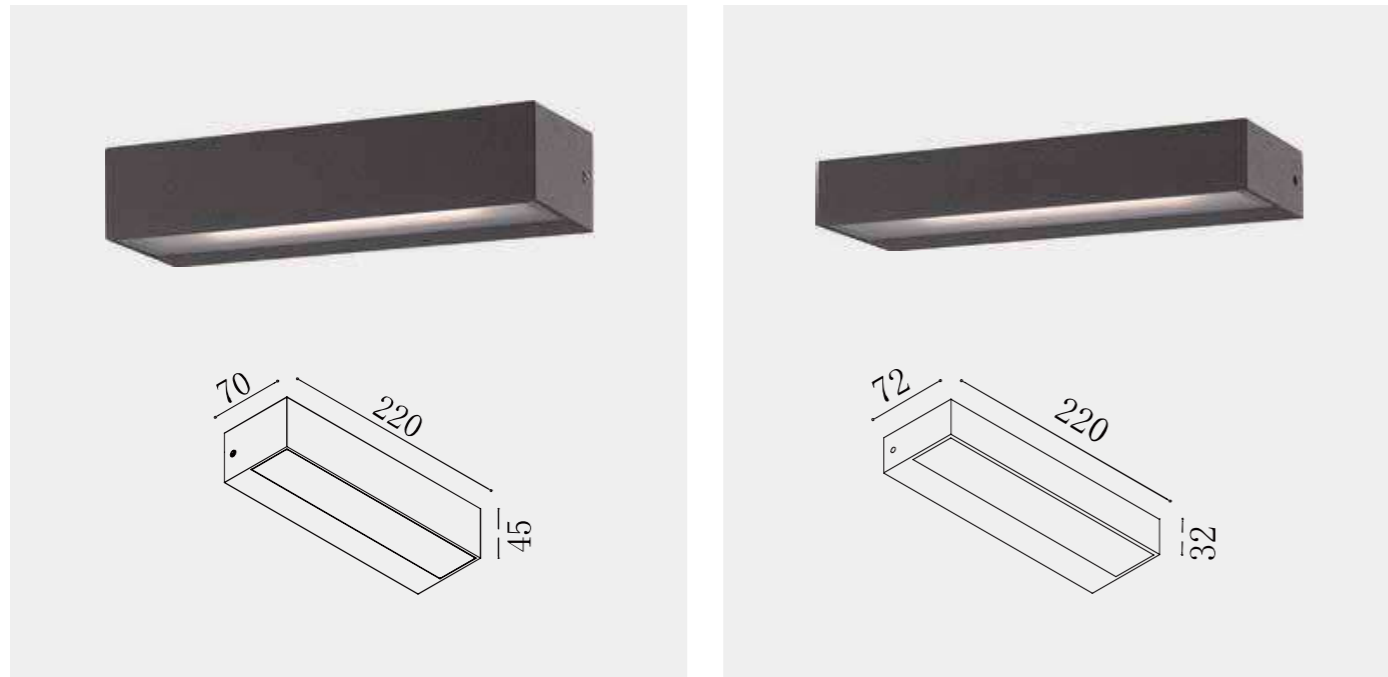
Packing Information

Model	Inner Carton Size L*W*H	QTY / Inner Carton	N.W. (kg)	G.W. (kg)	Outer Carton Size L*W*H	QTY / Outer Carton	N.W. (kg)	G.W. (kg)
Osa 1	135*65*40mm	1	/	/	340*285*220mm	50	9.5	11.5
Osa 2	175*65*40mm	1	/	/	360*340*220mm	50	12.5	15
Osa 3	245*90*55mm	1	/	/	500*375*300mm	50	16	20

Lm: This data is tested under normal working condition, the actual data will depends on environment condition, optics/diffuser and CCT.



Ani



Technical information

Parameter	Technical data	Parameter	Technical data
Insulation class	Class I	Screen	PC
Operating temperature	-20°C~50°C / 10%~95% (humidity)	Gasket	Silicone
Body parts material	Die cast Aluminum	Color stability	5 MacAdam steps
Light control	Optic / Diffuser	IP & IK Rating	IP54

Order

Model	CCT	CRI	Power (W)	Luminaire output flux (lm)	Luminaire efficacy (lm/W)	Input voltage	Dimming
Ani 1	3000K	>80	16	1100	69	AC 220-240V	ON/OFF
Ani 2	3000K	>80	8	550	69	AC 220-240V	ON/OFF

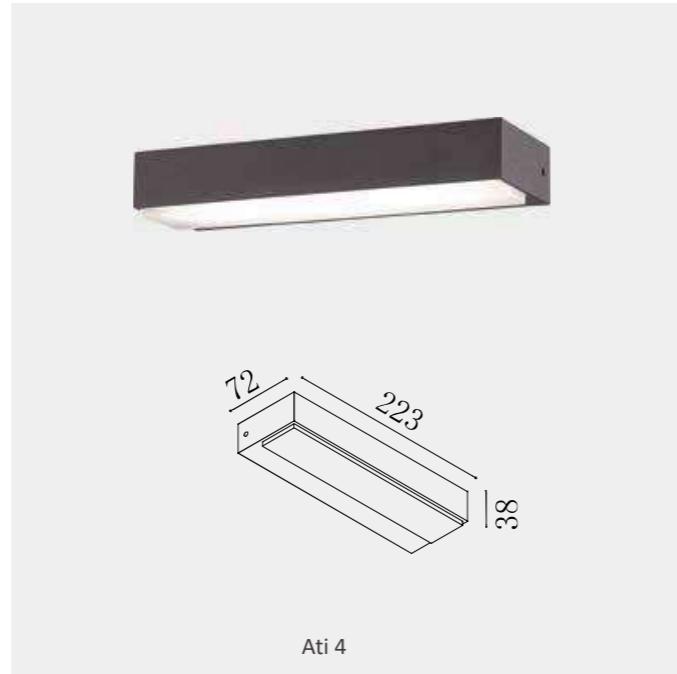
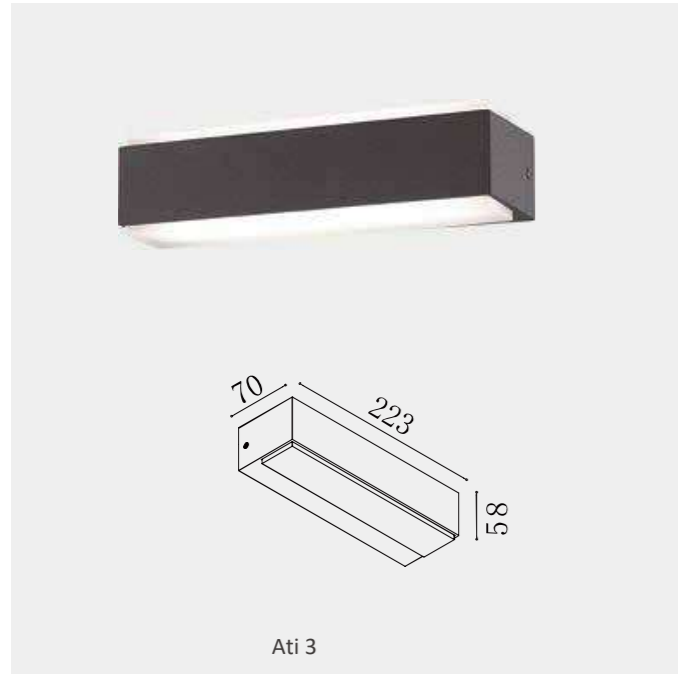
Packing Information

Model	Inner Carton Size L*W*H	QTY / Inner Carton	N.W. (kg)	G.W. (kg)	Outer Carton Size L*W*H	QTY / Outer Carton	N.W. (kg)	G.W. (kg)
Ani 1	230*50*80mm	1	/	/	260*240*185mm	10	9	10.5
Ani 2	230*40*80mm	1	/	/	245*245*185mm	10	7	8

Lm: This data is tested under normal working condition, the actual data will depends on environment condition, optics/diffuser and CCT.



Ati



Technical information

Parameter	Technical data	Parameter	Technical data
Insulation class	Class I	Screen	PC
Operating temperature	-20°C~50°C / 10% ~ 95% (humidity)	Gasket	Silicone
Body parts material	Die cast Aluminum	Color stability	5 MacAdam steps
Light control	Optic / Diffuser	IP & IK Rating	IP54

Order

Model	CCT	CRI	Power (W)	Luminaire output flux (lm)	Luminaire efficacy (lm/W)	Input voltage	Dimming
Ati 3	3000K	>80	16	1100	69	AC 220-240V	ON/OFF
Ati 4	3000K	>80	8	550	69	AC 220-240V	ON/OFF

Packing Information

Model	Inner Carton Size L*W*H	QTY / Inner Carton	N.W. (kg)	G.W. (kg)	Outer Carton Size L*W*H	QTY / Outer Carton	N.W. (kg)	G.W. (kg)
Ati 3	230*65*80mm	1	/	/	340*240*185mm	10	7.5	9
Ati 4	230*50*80mm	1	/	/	260*240*185mm	20	6	7.5



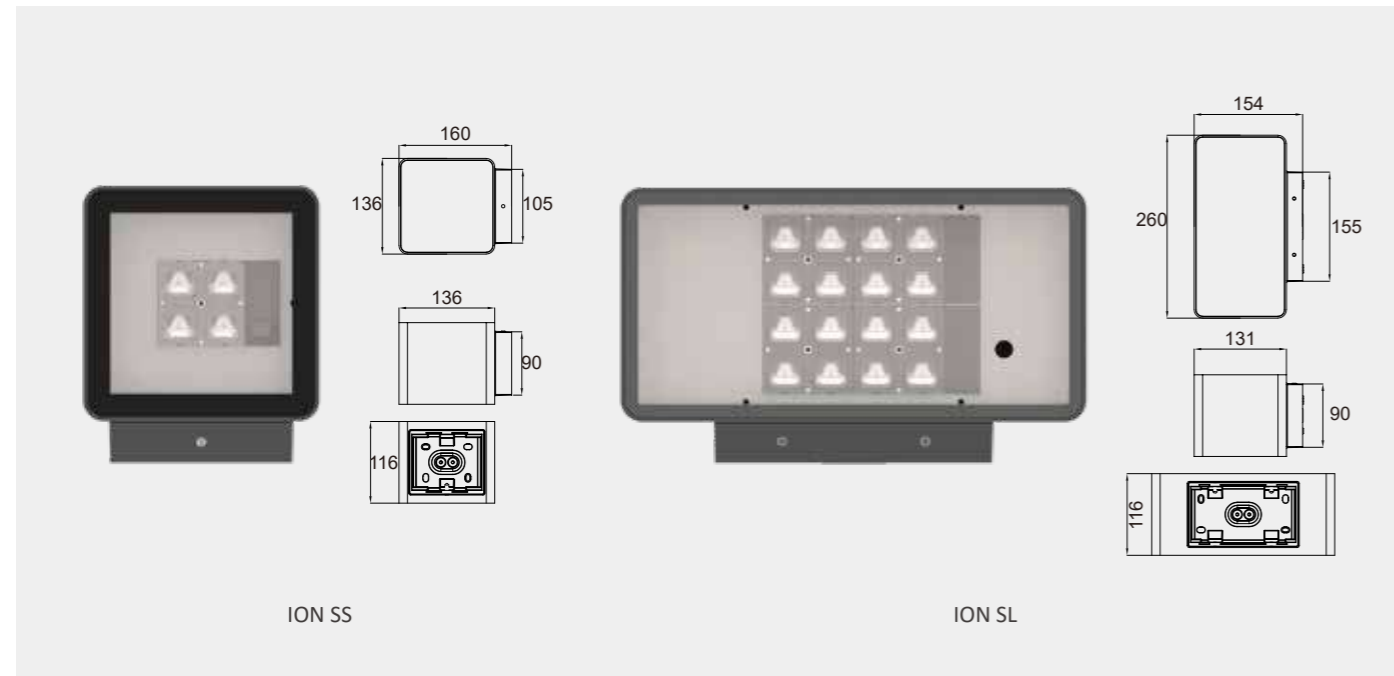
Lm: This data is tested under normal working condition, the actual data will depends on environment condition, optics/diffuser and CCT.

ION series



ION S

Patented design

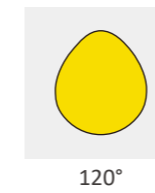


CE CB IP65 IK09

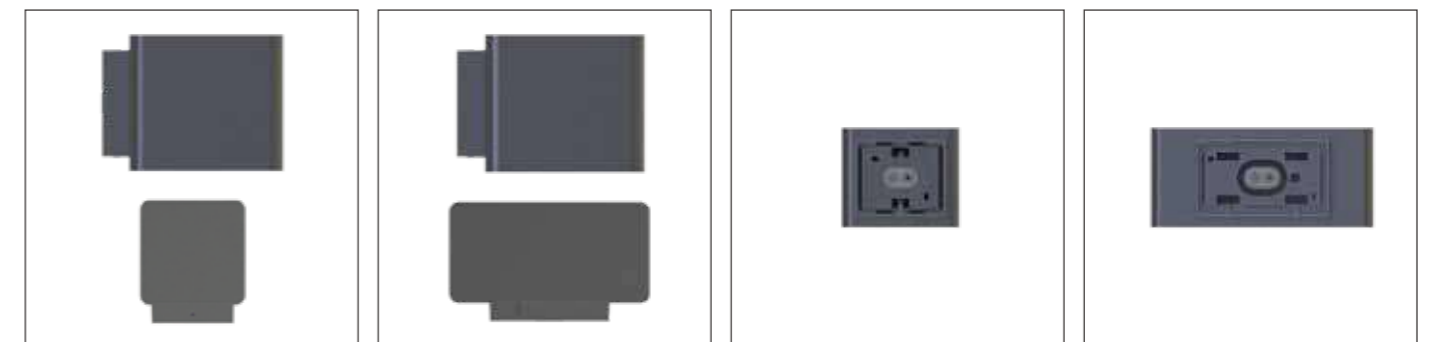
Technical information

Parameter	Technical data	Parameter	Technical data
Insulation class	Class I	Screen	PC
Operating temperature	-20°C~50°C / 10%~95% (humidity)	Gasket	Silicone
Body parts material	Die cast Aluminum	Color stability	5 MacAdam steps
Light control	Optic / Diffuser	IP & IK Rating	IP65 & IK09

Optics available



Details

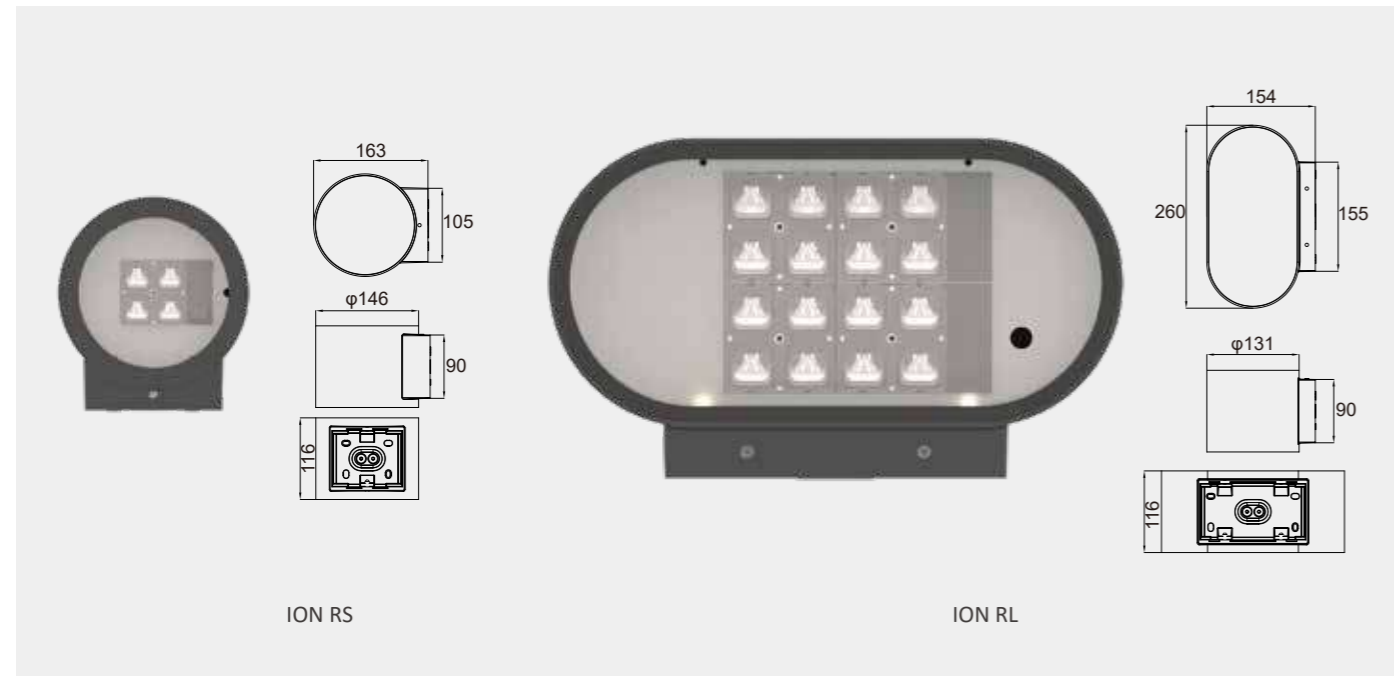


Order

Model	CCT	CRI	Power (W)	Luminaire output flux (lm)	Luminaire efficacy (lm/W)	Input voltage	Dimming
ION S S 1	3000K	>80	15	1575	105	AC 220-240V	DALI
ION S S 2	3000K	>80	15	1575	105	AC 220-240V	ON/OFF
ION S L 1	3000K	>80	30	3000	100	AC 220-240V	DALI
ION S L 2	3000K	>80	30	3000	100	AC 220-240V	ON/OFF

ION R

Patented design

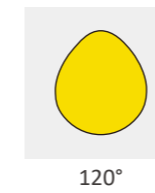


CE CB IP65 IK09

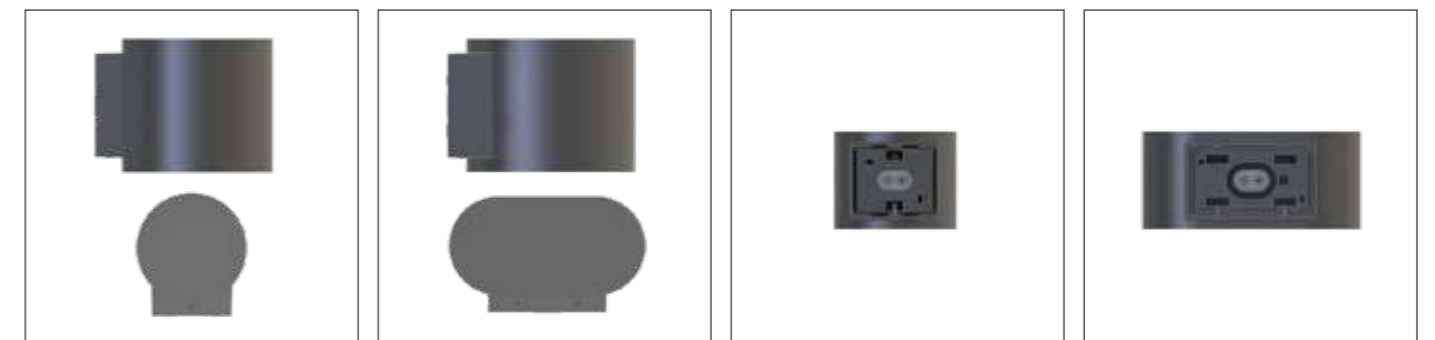
Technical information

Parameter	Technical data	Parameter	Technical data
Insulation class	Class I	Screen	PC
Operating temperature	-20°C~50°C / 10%~95% (humidity)	Gasket	Silicone
Body parts material	Die cast Aluminum	Color stability	5 MacAdam steps
Light control	Optic / Diffuser	IP & IK Rating	IP65 & IK09

Optics available



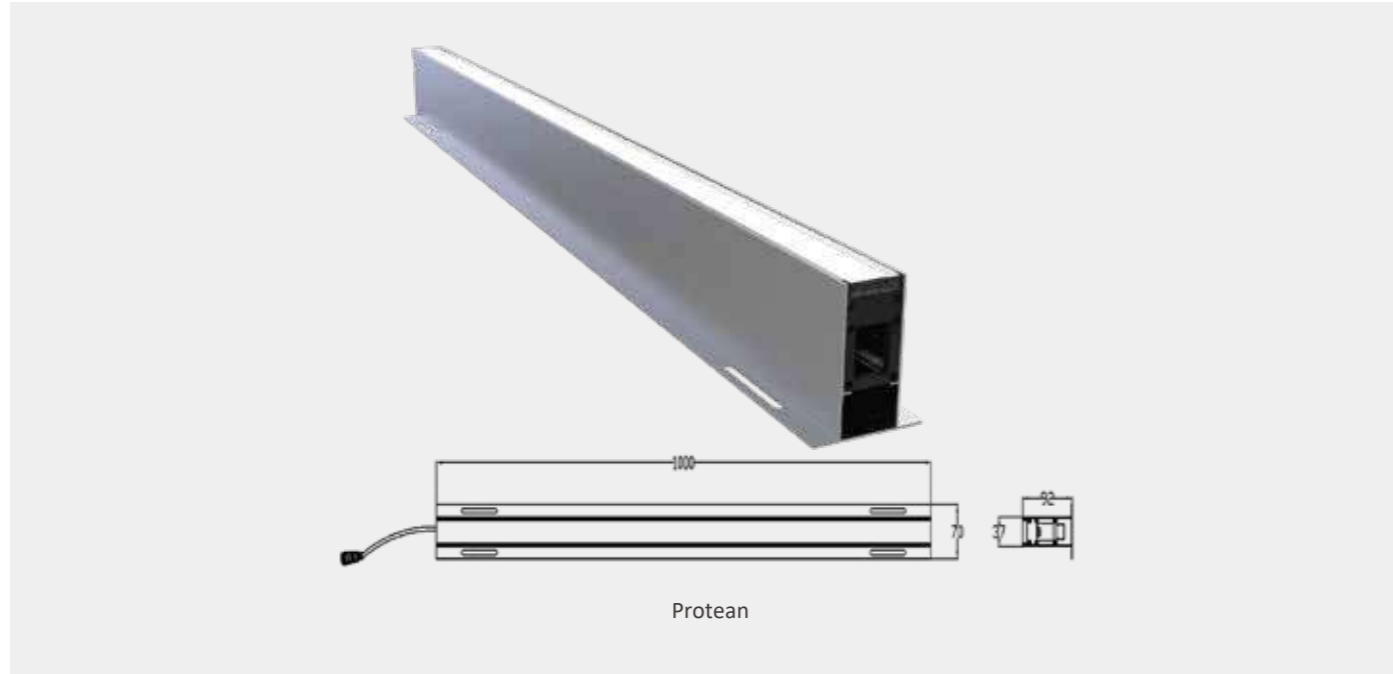
Details



Order

Model	CCT	CRI	Power (W)	Luminaire output flux (lm)	Luminaire efficacy (lm/W)	Input voltage	Dimming
ION R S 1	3000K	>80	15	1575	105	AC 220-240V	DALI
ION R S 2	3000K	>80	15	1575	105	AC 220-240V	ON/OFF
ION R L 1	3000K	>80	30	3000	100	AC 220-240V	DALI
ION R L 2	3000K	>80	30	3000	100	AC 220-240V	ON/OFF

Tean



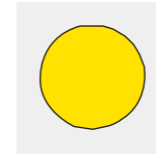
Technical information

Parameter	Technical data	Parameter	Technical data
Insulation class	Class I	Screen	Glass
Operating temperature	-20°C~50°C / 10% ~ 95% (humidity)	Gasket	Silicone
Body parts material	Die cast Aluminum	Color stability	5 MacAdam steps
Light control	Optic / Diffuser	IP & IK Rating	IP66 & IK10

Packing Information

Model	Inner Carton Size L*W*H	QTY / Inner Carton	N.W. (kg)	G.W. (kg)	Outer Carton Size L*W*H	QTY / Outer Carton	N.W. (kg)	G.W. (kg)
Tean	1020*90*110mm	1	4	4.3	1050*200*240mm	4	17.2	17.8

Optics available



Details

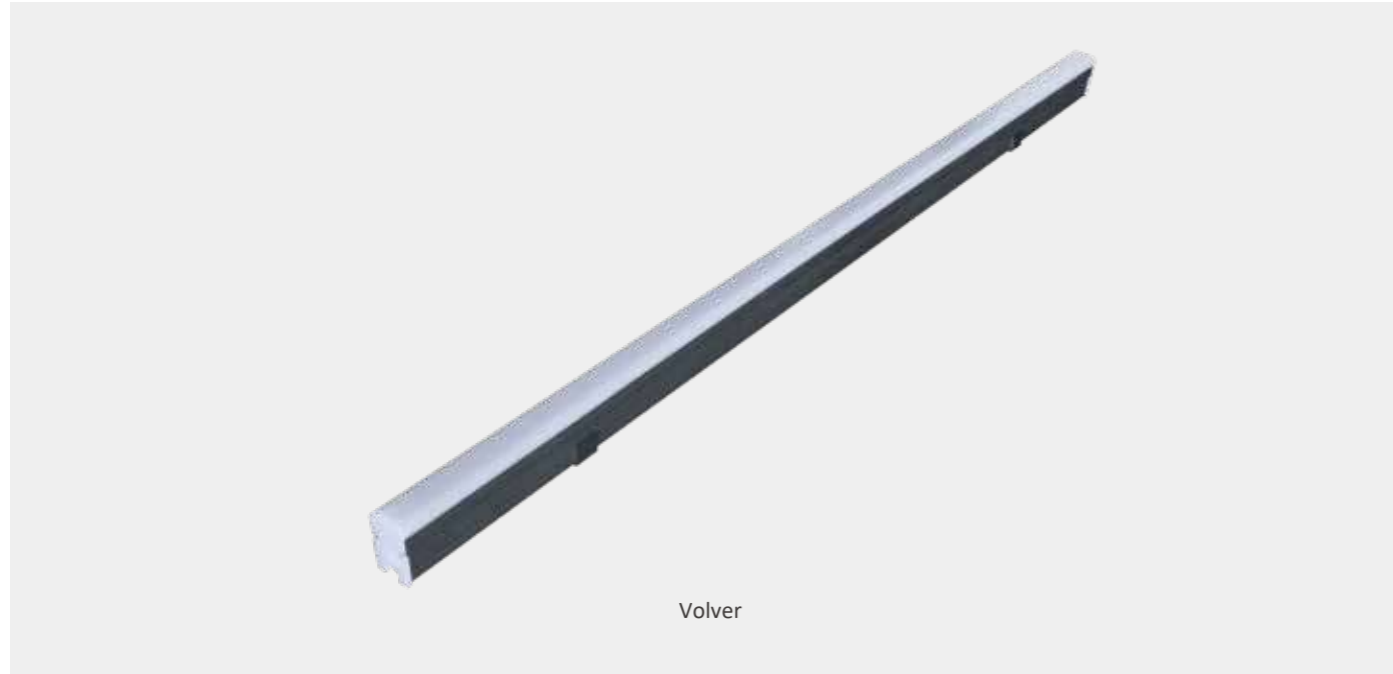


Order

Model	CCT	CRI	Power (W)	Luminaire output flux (lm)	Luminaire efficacy (lm/W)	Input voltage	Dimming
Tean	RGBW	>80	17	2295	135	24V	DALI

Lm: This data is tested under normal working condition, the actual data will depends on environment condition, optics/diffuser and CCT.

Vole



Volver



Technical information

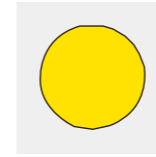
Parameter	Technical data	Parameter	Technical data
Insulation class	Class I	Screen	Glass
Operating temperature	-20°C~50°C / 10% ~ 95% (humidity)	Gasket	Silicone
Body parts material	Die cast Aluminum	Color stability	5 MacAdam steps
Light control	Optic / Diffuser	IP & IK Rating	IP66 & IK10

Packing Information

Model	Inner Carton Size L*W*H	QTY / Inner Carton	N.W. (kg)	G.W. (kg)	Outer Carton Size L*W*H	QTY / Outer Carton	N.W. (kg)	G.W. (kg)
Vole	1020*90*110mm	1	4	4.3	1050*200*240mm	4	17.2	17.8



Optics available



Details



Order

Model	CCT	CRI	Power (W)	Luminaire output flux (lm)	Luminaire efficacy (lm/W)	Input voltage	Dimming
Vole	WW	>80	12-15	1080-1350	90	24V	DALI
	RGBW	>80	12-15	840-1050	70	24V	DALI

Lm: This data is tested under normal working condition, the actual data will depends on environment condition, optics/diffuser and CCT.

Genova



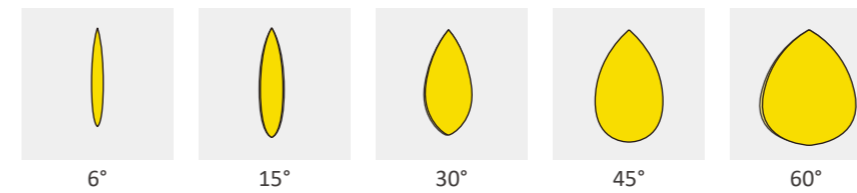
Technical information

Parameter	Technical data	Parameter	Technical data
Insulation class	Class I	Screen	PC
Operating temperature	-20°C~50°C / 10%~95% (humidity)	Gasket	Silicone
Body parts material	Aerometal	Color stability	5 MacAdam steps
Light control	Optic / Diffuser	IP & IK Rating	IP67 & IK10

Order

Model	CCT	CRI	Power (W)	N.W(kg)	Packing Information	Input voltage
GENOVA 1	3000K	>80	1*3W/3W COB	0.85	55.5*34*26cm/30pcs	12V/24V/240V
GENOVA 2	3000K	>80	1*3W/3W COB	1.4	53*36*38cm/10pcs	12V/24V/240V
GENOVA 3	3000K	>80	3*2W/5W COB	1.8	49*33*37cm/12pcs	12V/24V/240V
GENOVA 4	3000K	>80	9*2W/10W COB	3	48*48*26cm/4pcs	12V/24V/240V
GENOVA 5	3000K	>80	12*2W/20W COB	4.6	53*53*31cm/4pcs	12V/24V/240V
GENOVA 6	3000K	>80	15*2W/20W COB	5	57*30*31cm/2pcs	12V/24V/240V
GENOVA 7	3000K	>80	18*2W/30W COB	7.25	64*33*33cm/2pcs	12V/24V/240V
GENOVA 8	3000K	>80	24*2W/50W COB	10.1	37.5*37.5*40.5cm/1pcs	12V/24V/240V

Optics available



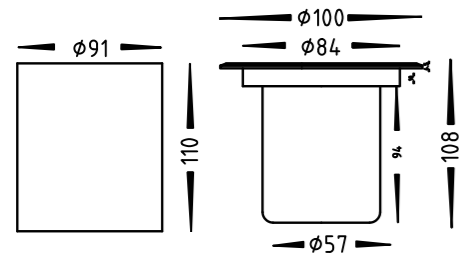
Details



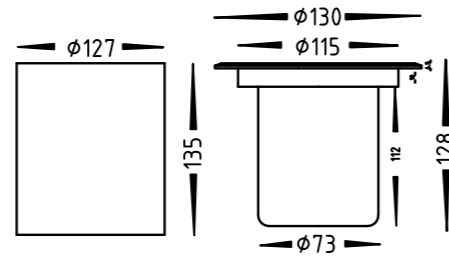
CE CB IP67 IK10

Genova

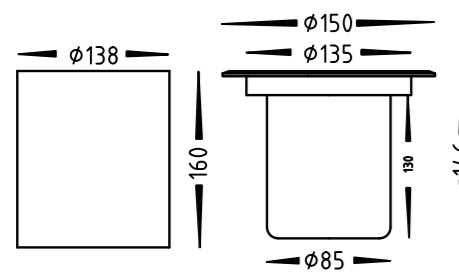
Dimensions



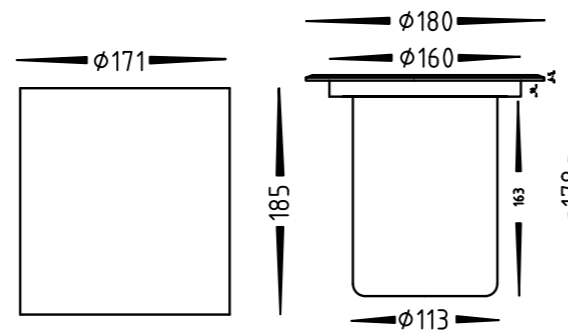
GENOVA 1



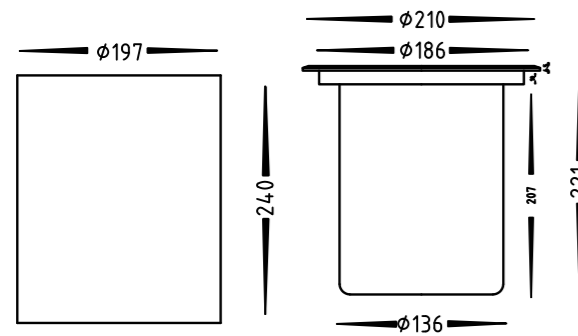
GENOVA 2



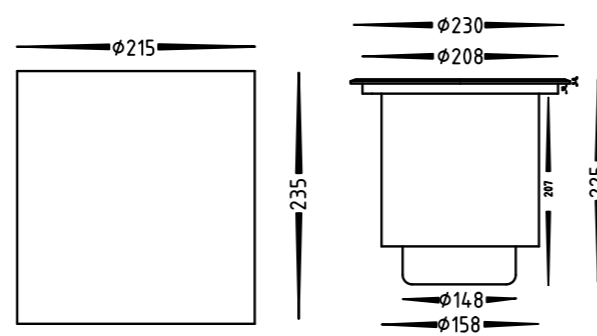
GENOVA 3



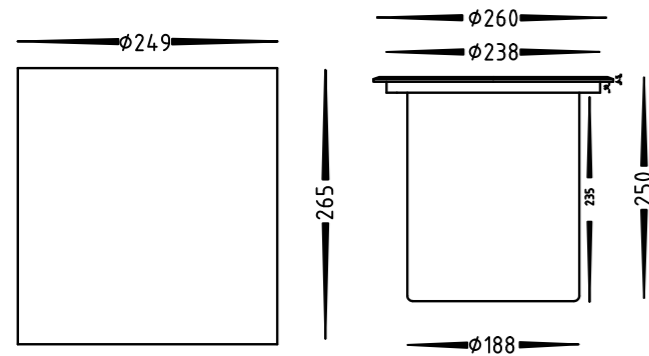
GENOVA 4



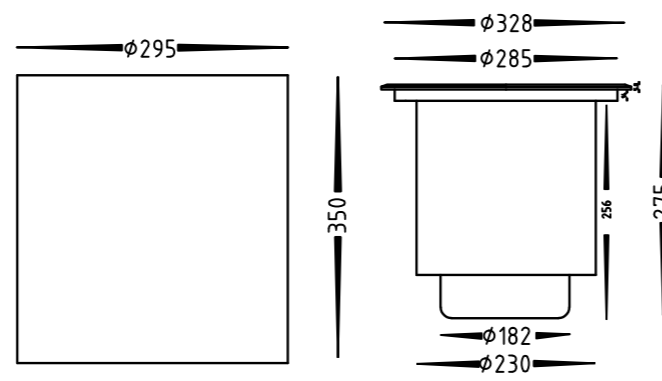
GENOVA 5



GENOVA 6



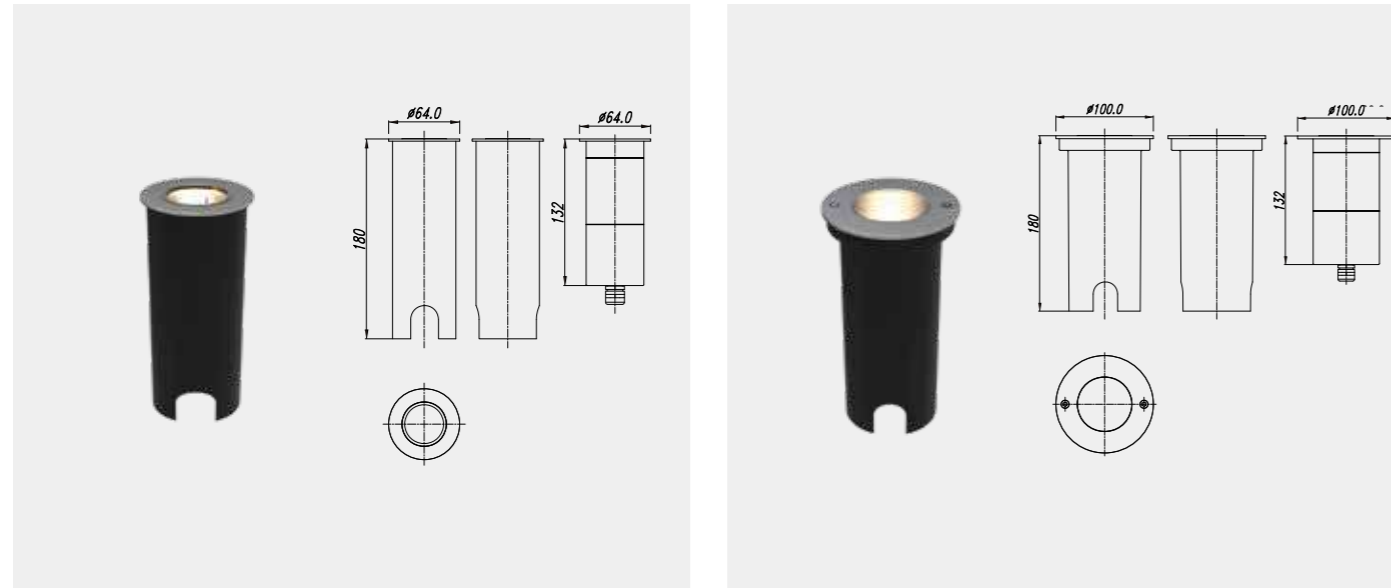
GENOVA 7



GENOVA 8



Prato



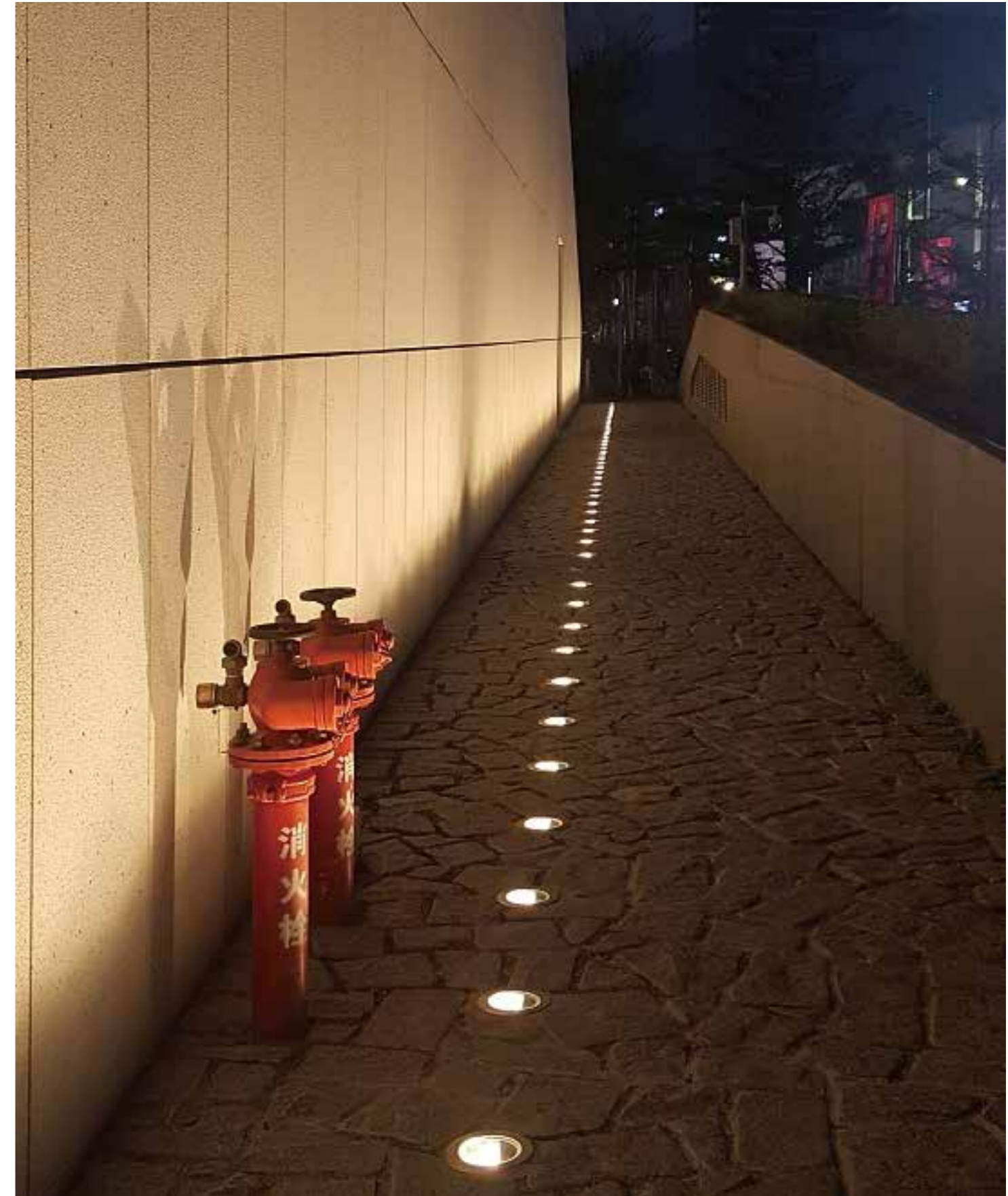
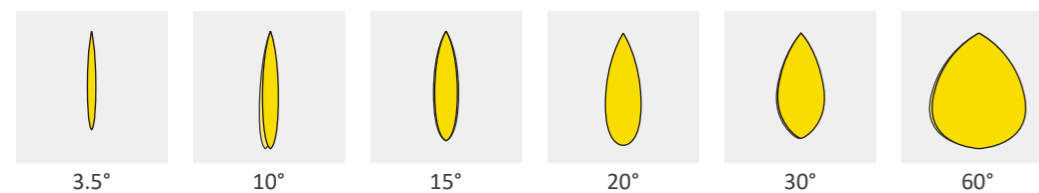
Technical information

Parameter	Technical data	Parameter	Technical data
Insulation class	Class I	Screen	PC
Operating temperature	-20°C~50°C / 10% ~ 95% (humidity)	Gasket	Silicone
Body parts material	Aerometal	Color stability	5 MacAdam steps
Light control	Optic / Diffuser	IP & IK Rating	IP67 & IK10

Order

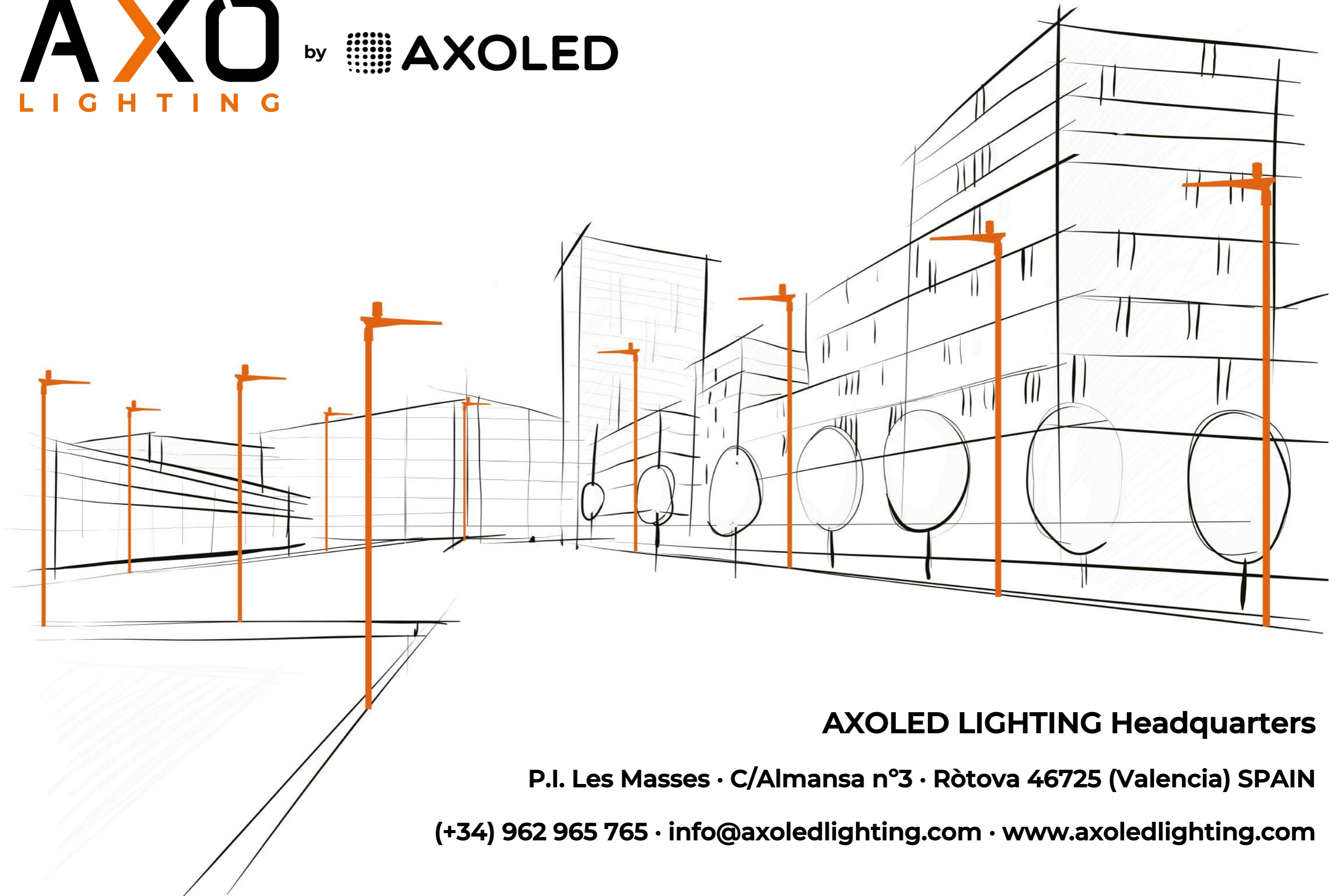
Model	CRI	Power (W)	LED QTY	Luminaire efficacy (lm/W)	Input voltage	Current
Prato L	>80	8	1	90	18V	350MA
Prato XL	>80	9	1	100	35V	200MA

Optics available



CE CB IP67 IK10

AXO by  **AXOLED**
LIGHTING



AXOLED LIGHTING Headquarters

P.I. Les Masses · C/Almansa n°3 · Ròtova 46725 (Valencia) SPAIN

(+34) 962 965 765 · info@axoledlighting.com · www.axoledlighting.com